

4

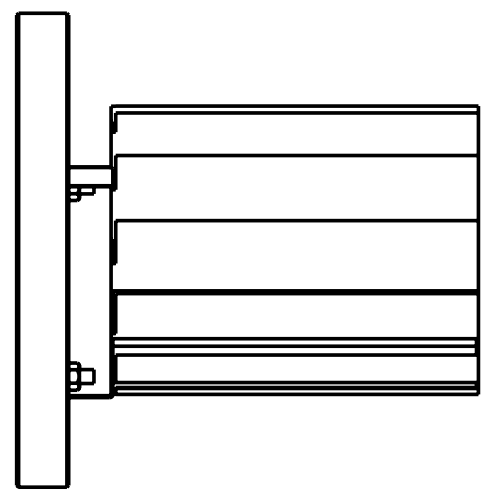
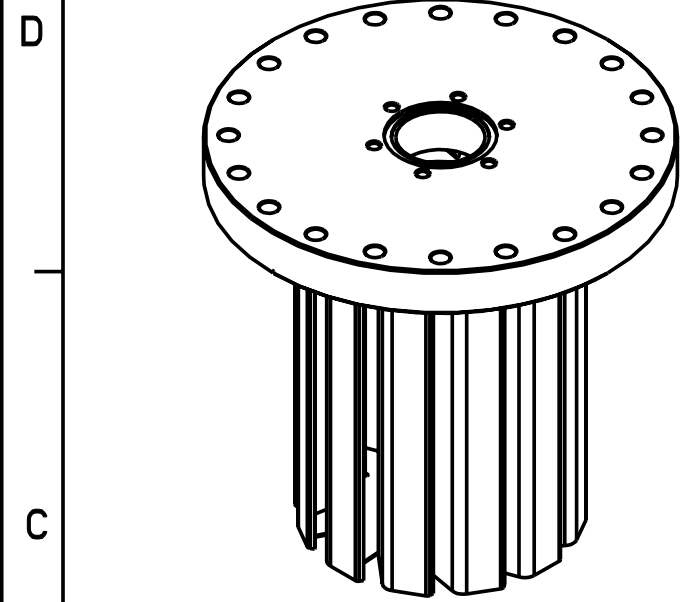
3

2

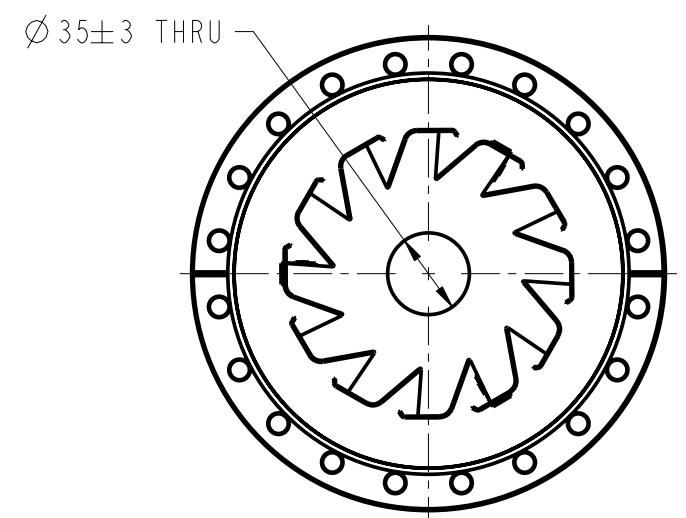
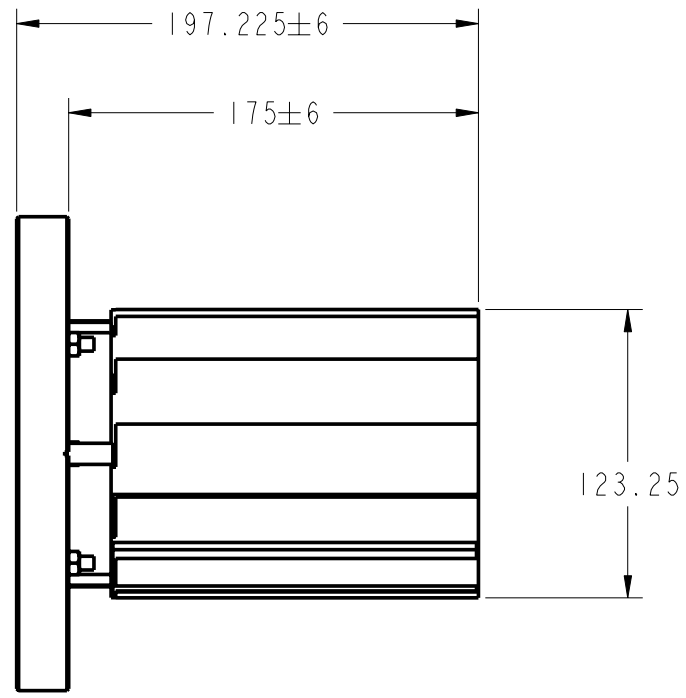
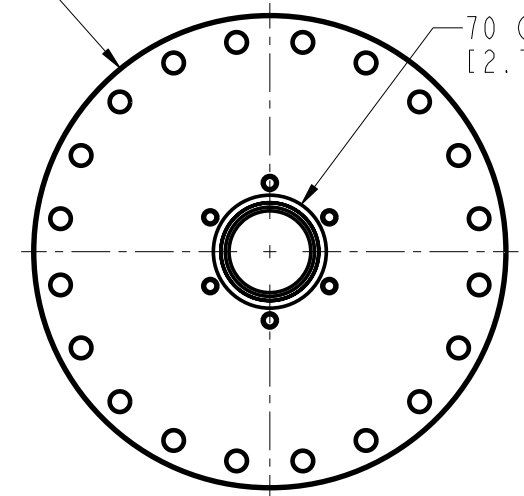
DWG. NO. 360044 SH. 1 REV. B

REVISIONS				
REV	CO #	DESCRIPTION	DATE	APPROVED
A		RELEASE PART		CMS
B	531	ITEM 2 WAS 360049	5-12-05	RDG

THIS DRAWING HAS BEEN GENERATED AND IS MAINTAINED BY PRO/ENGINEER CAD SYSTEM.



152 CFF [8" CFF]
 70 CFF [2.75" CFF]



NOTES:
 1. MACHINE, CLEAN, AND HANDLE PER SPEC 430005.

METRIC THIRD ANGLE PROJECTION 	UNLESS OTHERWISE SPECIFIED DIMENSIONS ARE IN MILLIMETERS SURFACE ROUGHNESS IN MICROMETERS TOLERANCES: LINEAR ±0.13 HOLES ±0.13 ANGULAR (±) MACHINED 0.5° FORMED 1° CHAMFER 5° 1.6 MACHINED SURFACES BREAK SHARP EDGES: R0.2 OR 45° 0.2 MAX. INTERNAL MACH CORNER R.4 MAX.	DWN C. SCHWIE DATE 29-Oct-03 CHR MHC DATE 6-3-05 APPV RDG DATE 6-3-05 RI C. SCHWIE TOLERANCING AND DIMENSIONING PER ANSI Y14.5M-1982 THIS DRAWING CONTAINS PROPRIETARY INFORMATION AND ANY REPRODUCTION, DISCLOSURE OR USE OF THIS DRAWING IS EXPRESSLY PROHIBITED EXCEPT AS GAMMA VACUUM MAY OTHERWISE AGREE TO IN WRITING.	Gamma Vacuum 12912 Ventura Court, No. 28 * Shakopee, MN TITLE SHIELD, TSP, 70-152CFF, AMBIENT SIZE C DRAWING NO. 360044 REV. B SCALE 0.500 DETACHED <input type="checkbox"/> PLO <input type="checkbox"/> SPEC SHT 1 OF 2
---	--	---	---

4

3

2

1