

4

3

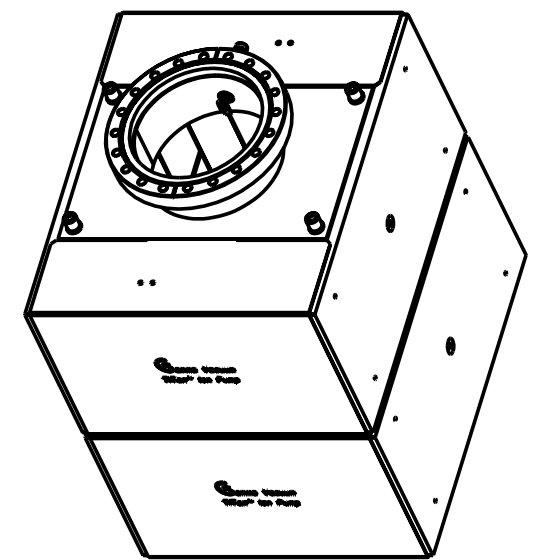
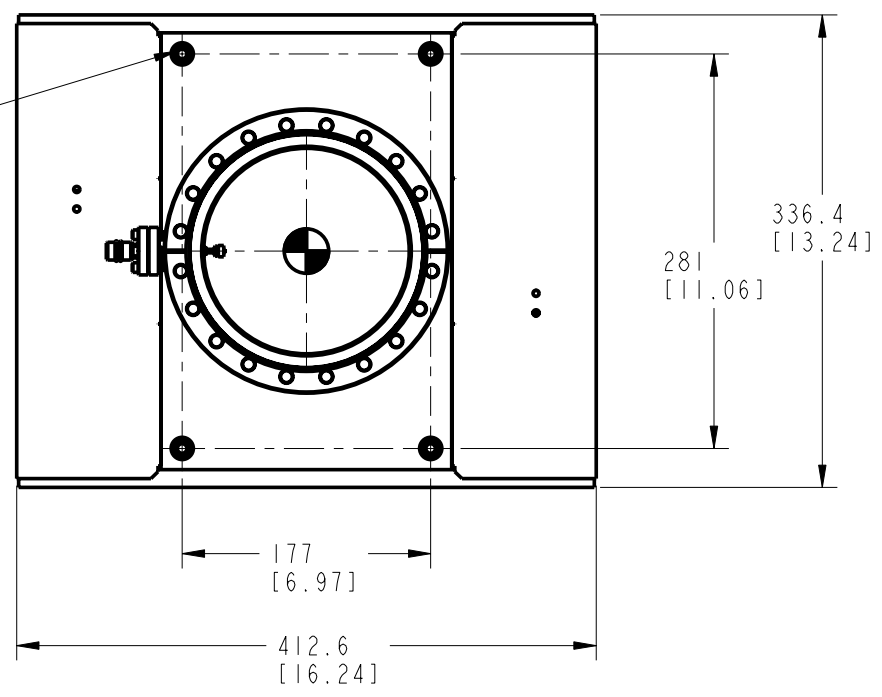
2

DWG. NO. 600LX-XX-8S SH. 2 REV. A

THIS DRAWING HAS BEEN GENERATED AND IS MAINTAINED BY PRO/ENGINEER CAD SYSTEM.

D

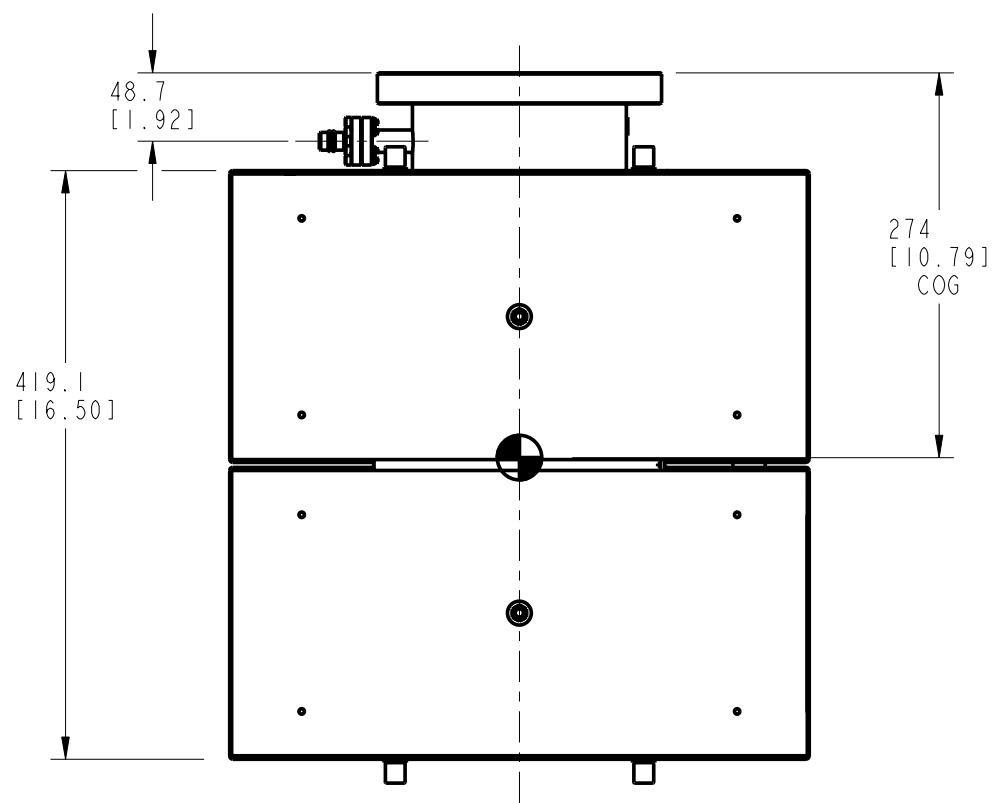
4X M8 BOSS
TOP AND BOTTOM



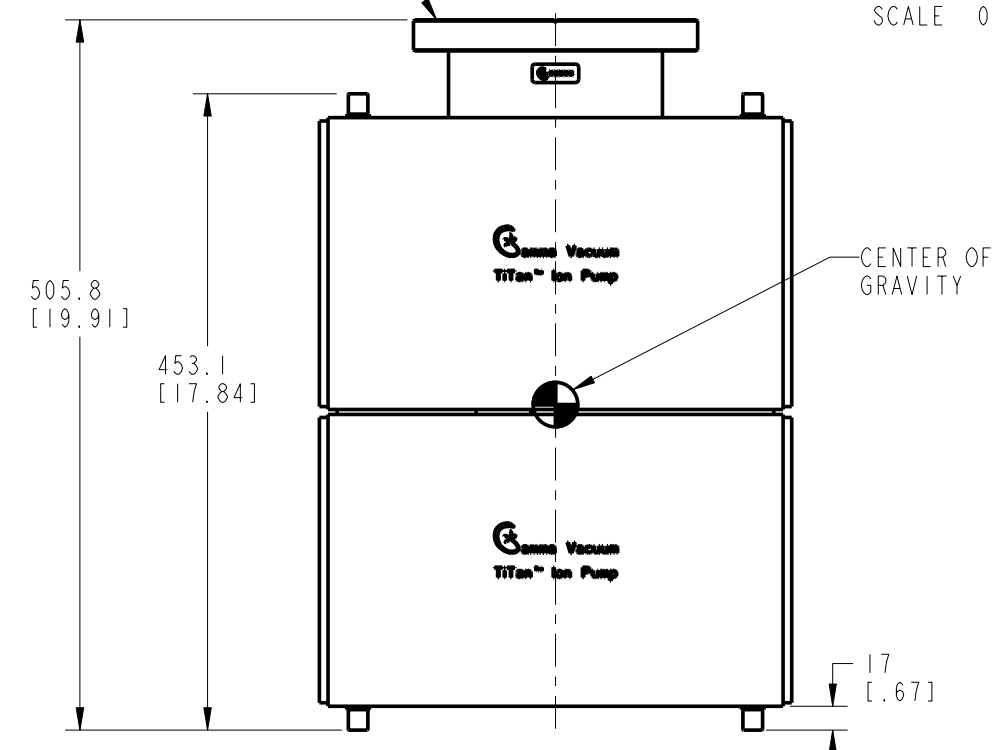
SCALE 0.200

C

B



203 CFF
[8" CFF]
NON-ROTATABLE



A

ALL DIMENSIONS ARE FOR REFERENCE ONLY

4

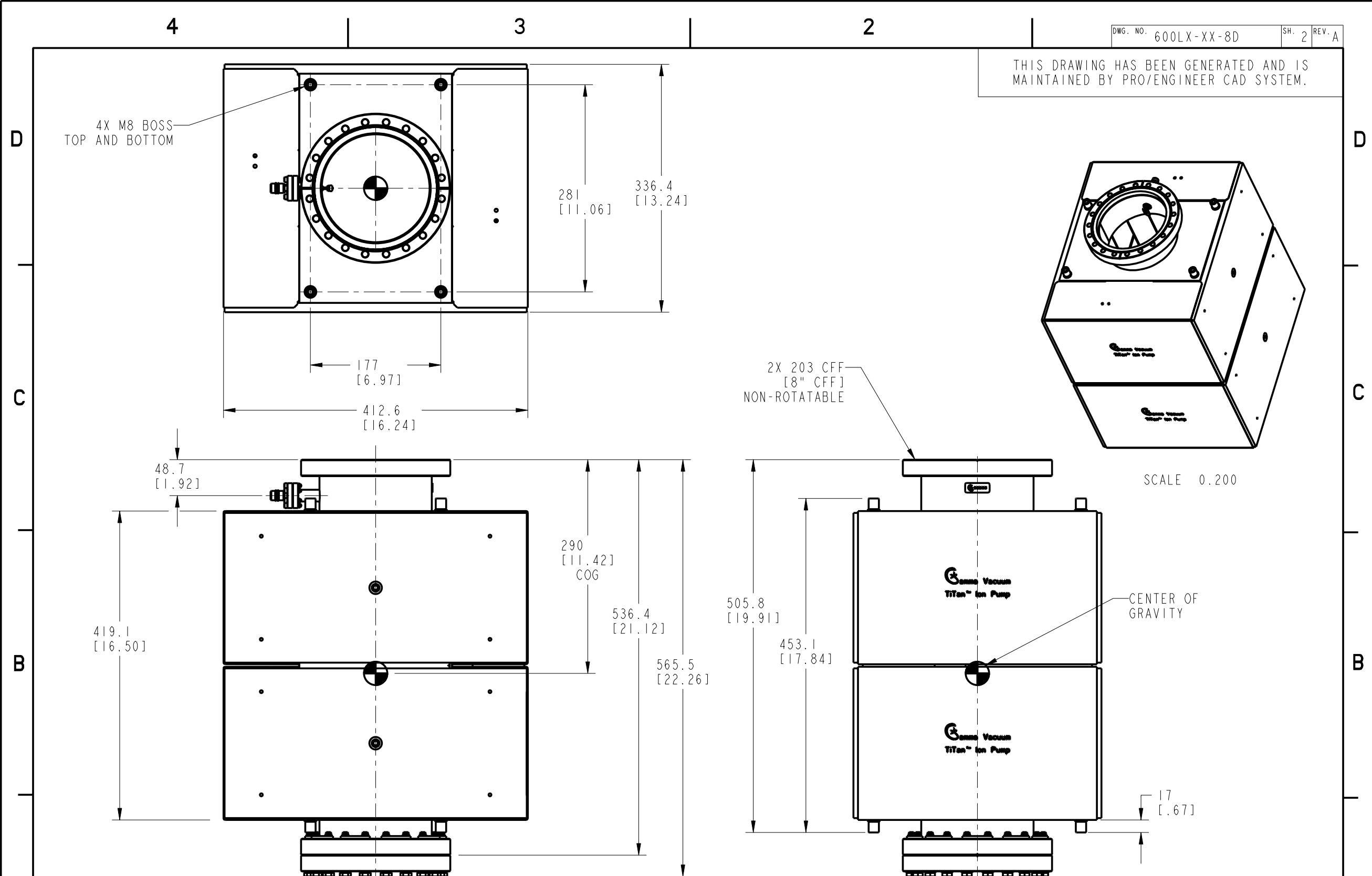
3

2

1

METRIC	UNLESS OTHERWISE SPECIFIED DIMENSIONS ARE IN MILLIMETERS SURFACE ROUGHNESS IN MICROMETERS	OWN R GOLLA DATE 17-Nov-97	Gamma Vacuum 12912 Ventura Court, No. 28 * Shakopee, MN
	TOLERANCES: LINEAR ±0.13 HOLES ±0.13 ANGULAR (±) MACHINED 0.5° FORMED 1° CHAMFER 5° 1.6	CHK _____ DATE _____ APPV _____ DATE _____ RI R GOLLA	
THIRD ANGLE PROJECTION	MACHINED SURFACES BREAK SHARP EDGES: R0.2 OR 45° 0.2 MAX. INTERNAL MACH CORNER R.4 MAX.	TOLERANCING AND DIMENSIONING PER ANSI Y14.5M-1982	REV. A
	THIS DRAWING CONTAINS PROPRIETARY INFORMATION AND ANY REPRODUCTION, DISCLOSURE OR USE OF THIS DRAWING IS EXPRESSLY PROHIBITED EXCEPT AS GAMMA VACUUM MAY OTHERWISE AGREE TO IN WRITING.	SIZE C	DRAWING NO. 600LX-XX-8S
		SCALE 0.300	DETACHED <input type="checkbox"/> PLSPEC <input type="checkbox"/> SHT 2 OF 2

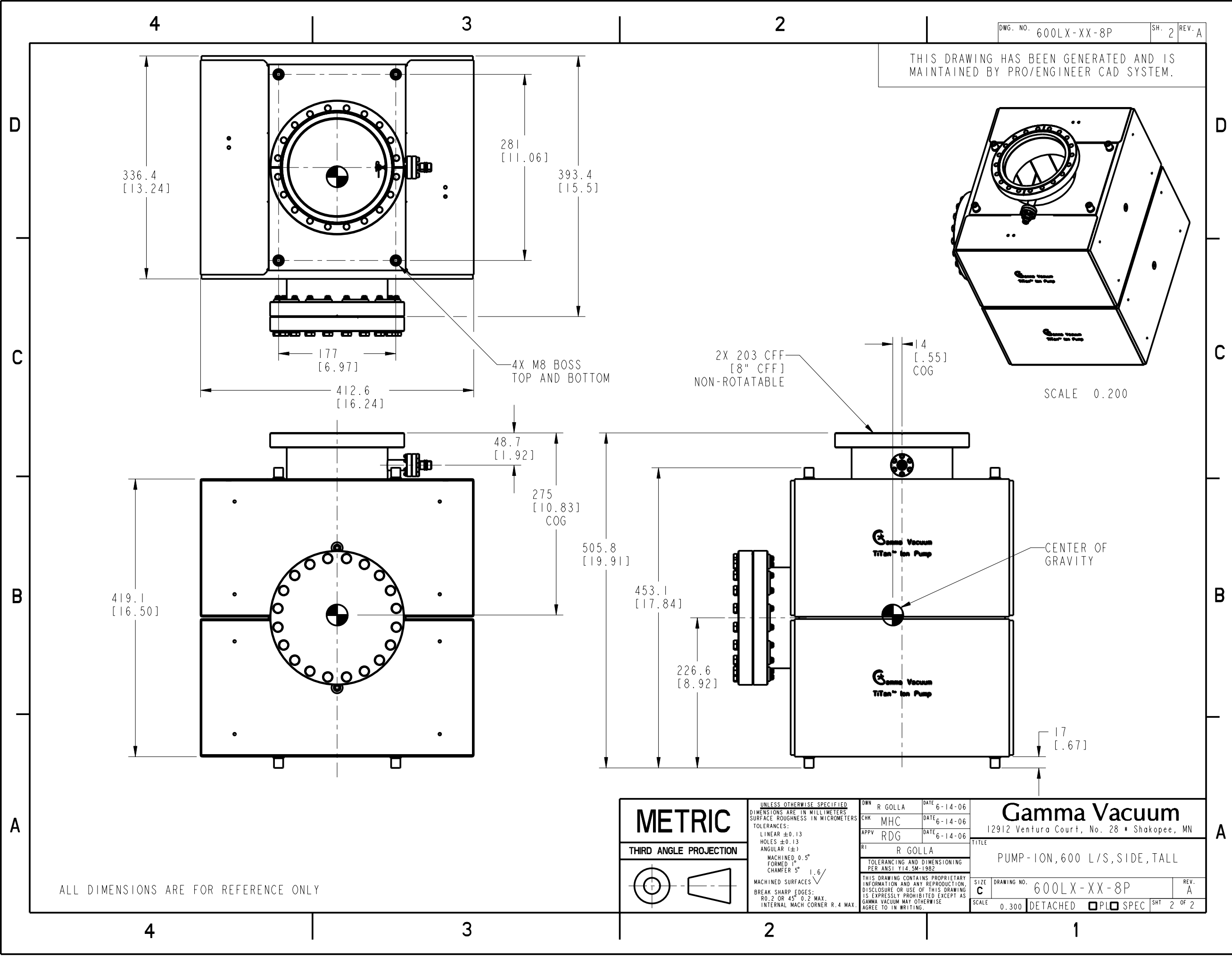
THIS DRAWING HAS BEEN GENERATED AND IS MAINTAINED BY PRO/ENGINEER CAD SYSTEM.



ALL DIMENSIONS ARE FOR REFERENCE ONLY

<p>METRIC</p> <p>THIRD ANGLE PROJECTION</p>	<p>UNLESS OTHERWISE SPECIFIED DIMENSIONS ARE IN MILLIMETERS SURFACE ROUGHNESS IN MICROMETERS</p> <p>TOLERANCES: LINEAR ±0.13 HOLES ±0.13 ANGULAR (±) MACHINED 0.5° FORMED 1° CHAMFER 5° 1.6</p> <p>MACHINED SURFACES BREAK SHARP EDGES: R0.2 OR 45° 0.2 MAX. INTERNAL MACH. CORNER R.4 MAX.</p>	<p>DWN R GOLLA DATE 17-Nov-97</p> <p>CHK _____ DATE _____</p> <p>APPV _____ DATE _____</p> <p>RI R GOLLA</p> <p>TOLERANCING AND DIMENSIONING PER ANSI Y14.5M-1982</p> <p>THIS DRAWING CONTAINS PROPRIETARY INFORMATION AND ANY REPRODUCTION, DISCLOSURE OR USE OF THIS DRAWING IS EXPRESSLY PROHIBITED EXCEPT AS AGREED TO IN WRITING.</p>	<p>Gamma Vacuum 12912 Ventura Court, No. 28 * Shakopee, MN</p> <p>TITLE PUMP-ION, 600 L/S, DE, 8", TALL</p> <p>SIZE C DRAWING NO. 600LX-XX-8D REV. A</p> <p>SCALE 0.300 DETACHED <input type="checkbox"/> PLO <input type="checkbox"/> SPEC SHT 2 OF 2</p>
		<p>4</p>	<p>3</p>

THIS DRAWING HAS BEEN GENERATED AND IS MAINTAINED BY PRO/ENGINEER CAD SYSTEM.



ALL DIMENSIONS ARE FOR REFERENCE ONLY

METRIC
 THIRD ANGLE PROJECTION

UNLESS OTHERWISE SPECIFIED
 DIMENSIONS ARE IN MILLIMETERS
 SURFACE ROUGHNESS IN MICROMETERS
 TOLERANCES:
 LINEAR ±0.13
 HOLES ±0.13
 ANGULAR (±)
 MACHINED 0.5°
 FORMED 1°
 CHAMFER 5° 1.6
 MACHINED SURFACES
 BREAK SHARP EDGES:
 R0.2 OR 45° 0.2 MAX.
 INTERNAL MACH. CORNER R.4 MAX.

DWN	R GOLLA	DATE	6-14-06
CHK	MHC	DATE	6-14-06
APPV	RDG	DATE	6-14-06
RI	R GOLLA		
TOLERANCING AND DIMENSIONING PER ANSI Y14.5M-1982			
THIS DRAWING CONTAINS PROPRIETARY INFORMATION AND ANY REPRODUCTION, DISCLOSURE OR USE OF THIS DRAWING IS EXPRESSLY PROHIBITED EXCEPT AS AGREED TO IN WRITING.			

Gamma Vacuum
 12912 Ventura Court, No. 28 * Shakopee, MN

TITLE
 PUMP-ION, 600 L/S, SIDE, TALL

SIZE C DRAWING NO. 600LX-XX-8P REV. A
 SCALE 0.300 DETACHED PLSPEC SHT 2 OF 2