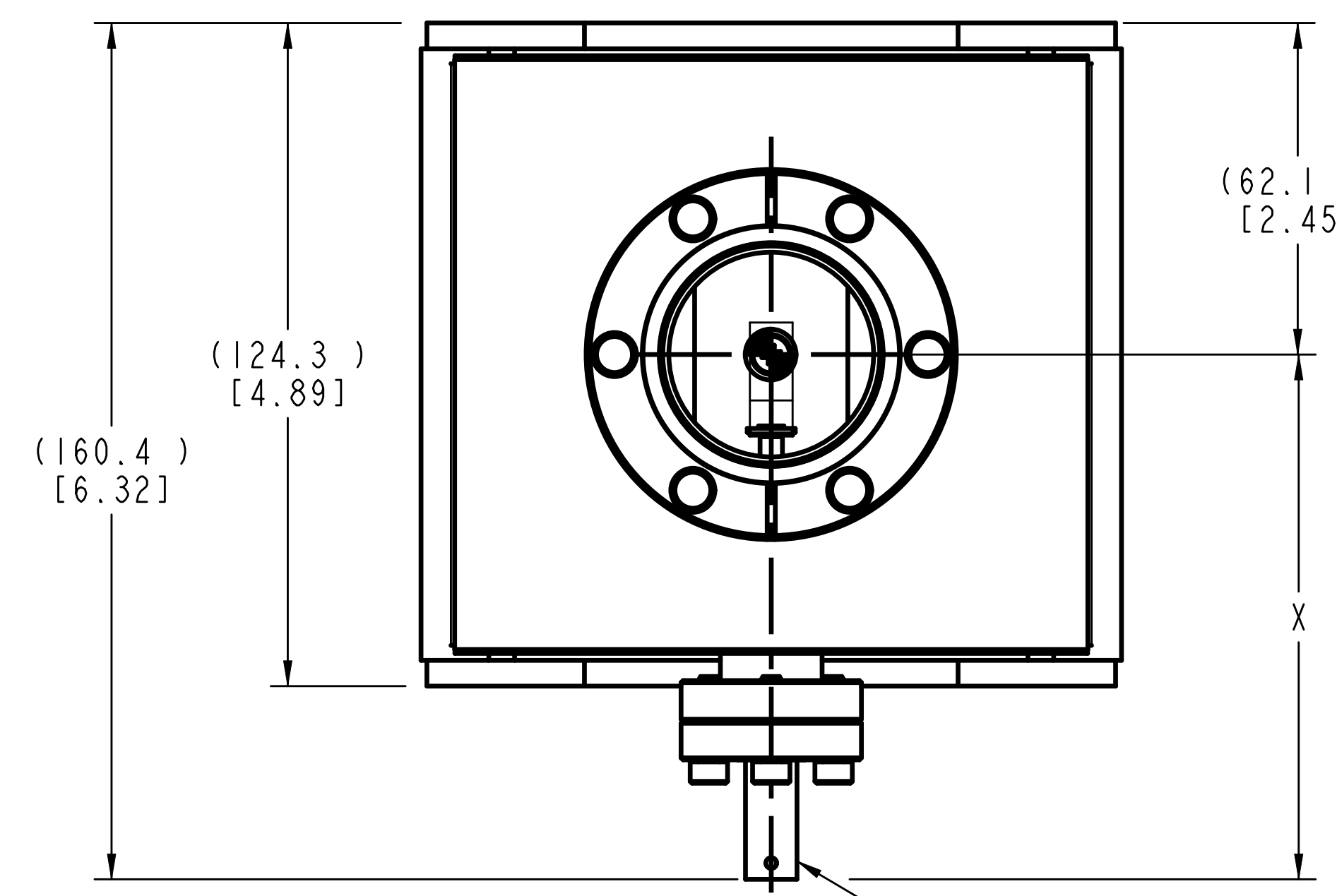
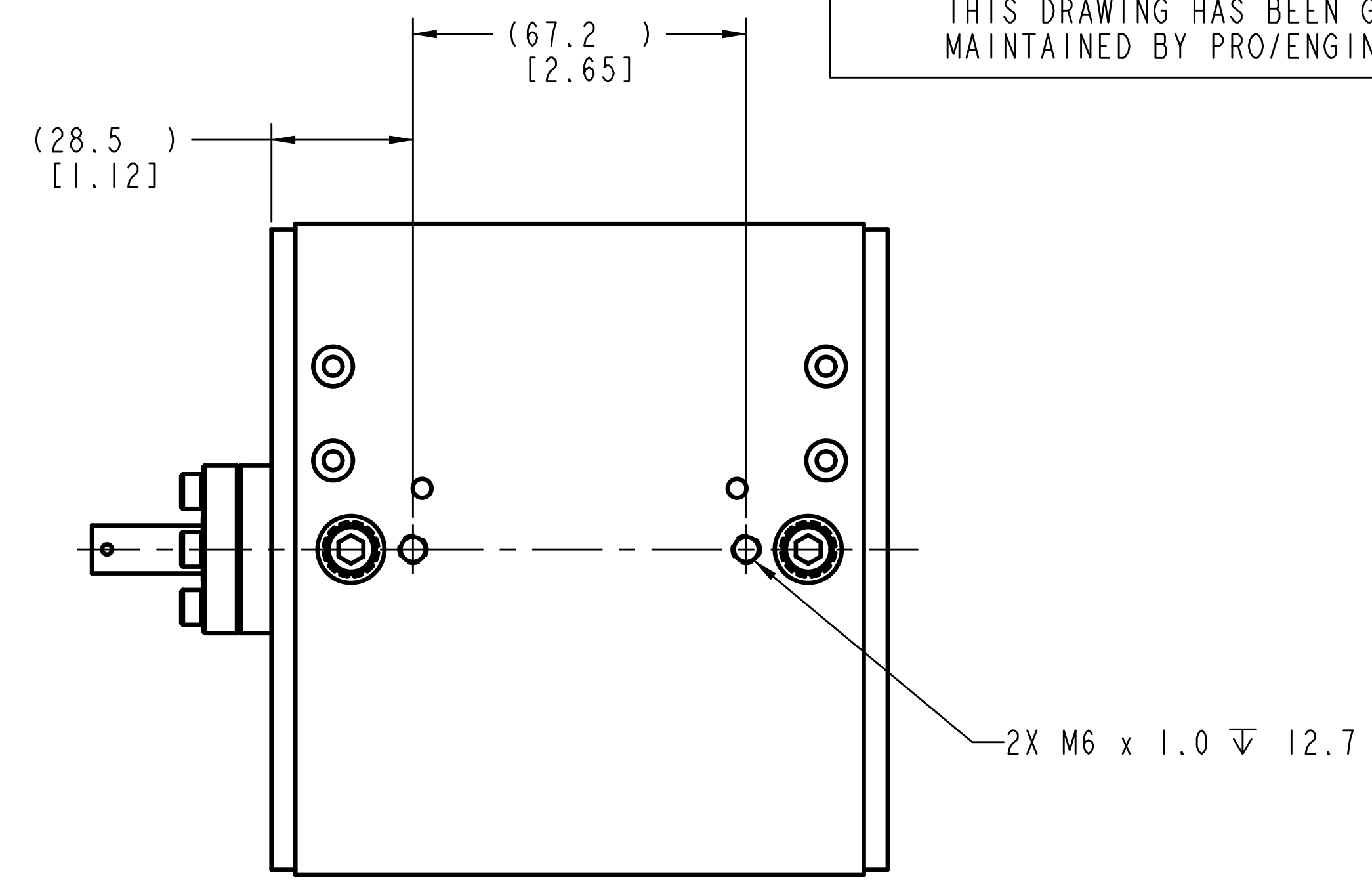


THIS DRAWING HAS BEEN GENERATED AND IS MAINTAINED BY PRO/ENGINEER CAD SYSTEM.



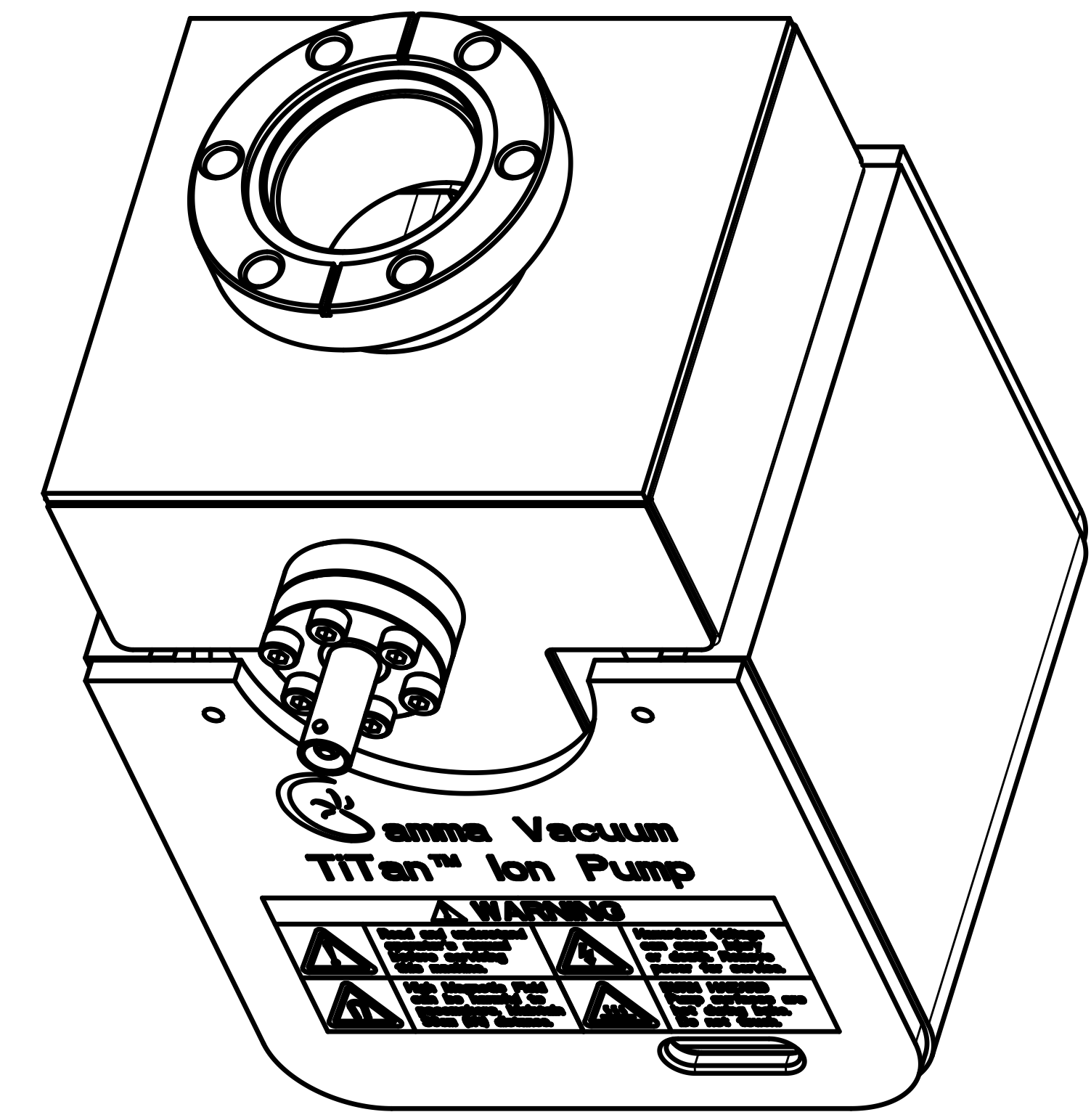
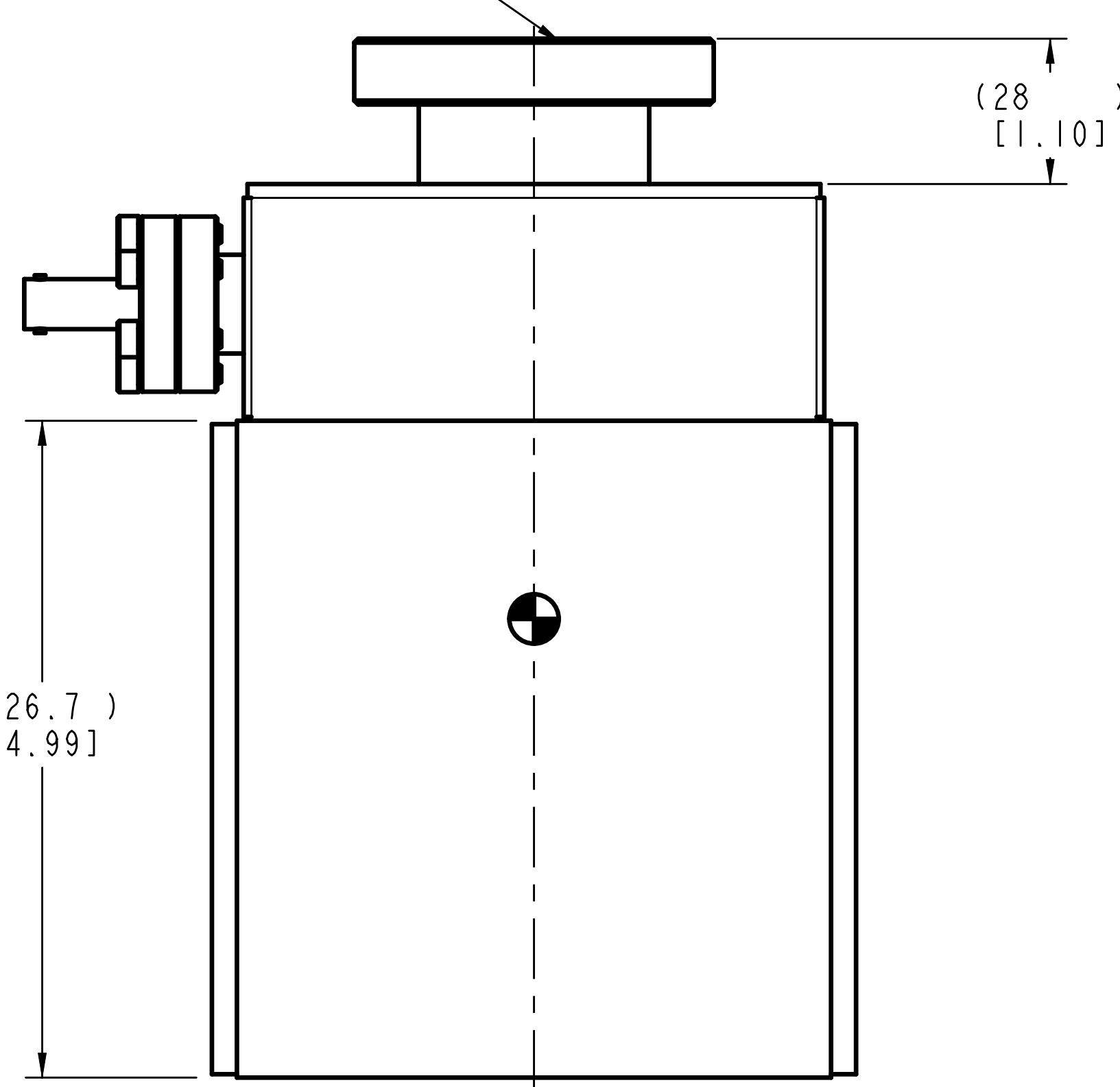
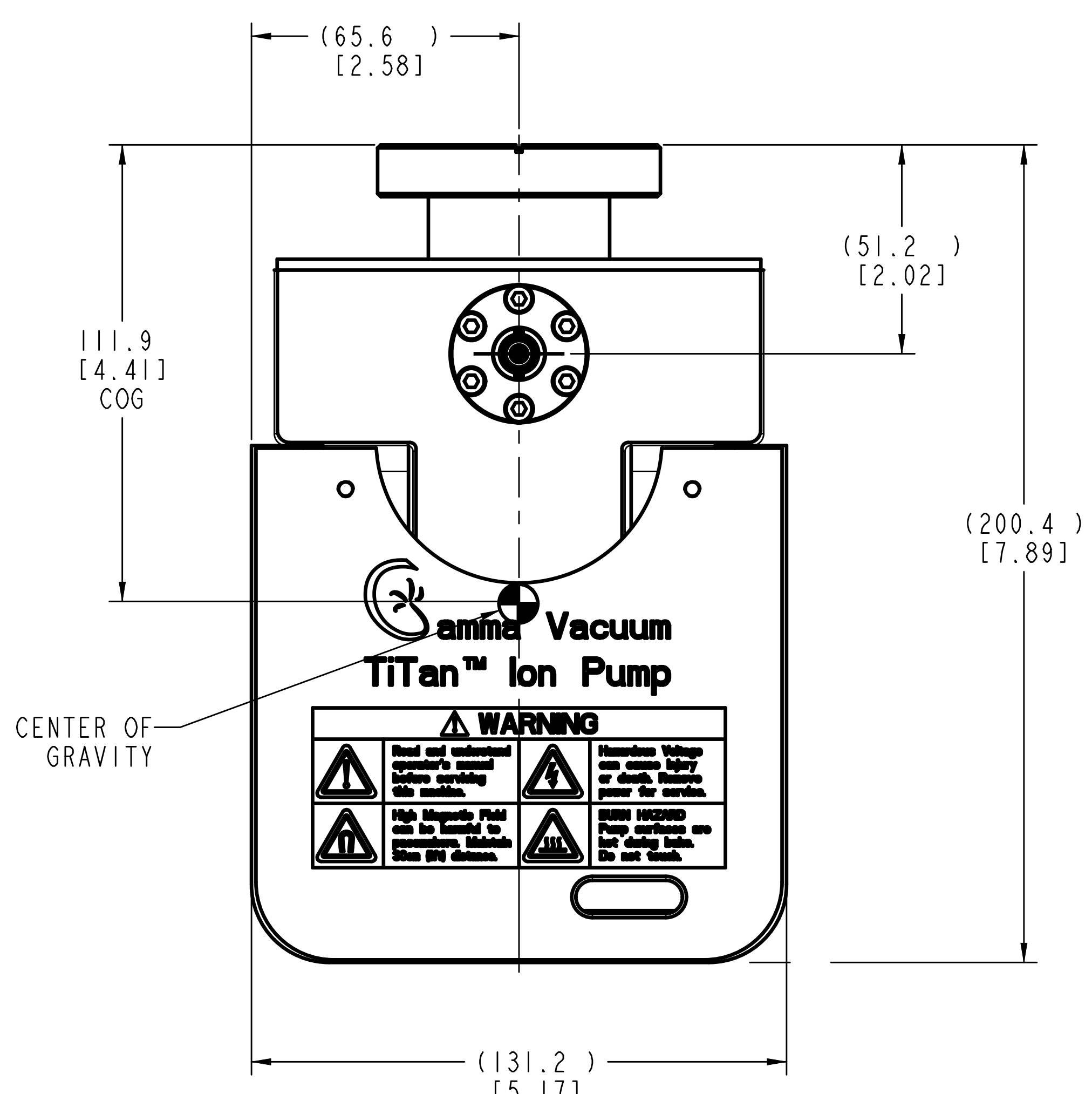
	DIM X	
FDTHRU	MM	INCH
SC	98.3	3.87
KG	98.3	3.87
SCO	98.3	3.87
FI	108.8	4.28
OV	141.5	5.57
VR	150.5	5.93
LE	108.3	4.26
OP	119.5	4.70



BOTTOM VIEW MOUNTING HOLE PATTERN

SHV10 10KV FEEDTHRU SHOWN; OTHERS AVAILABLE

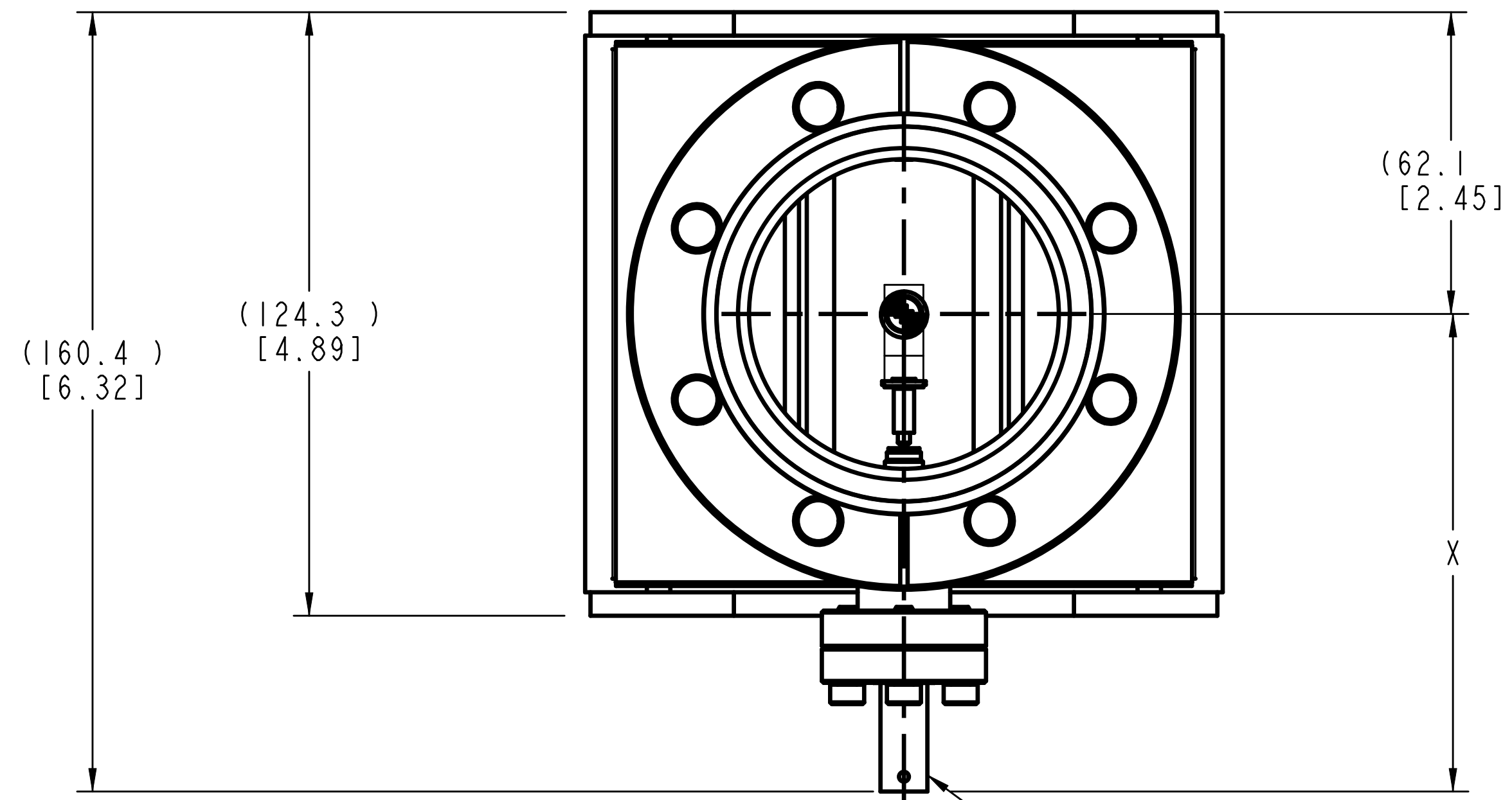
70 CFR [2.75" CFR]



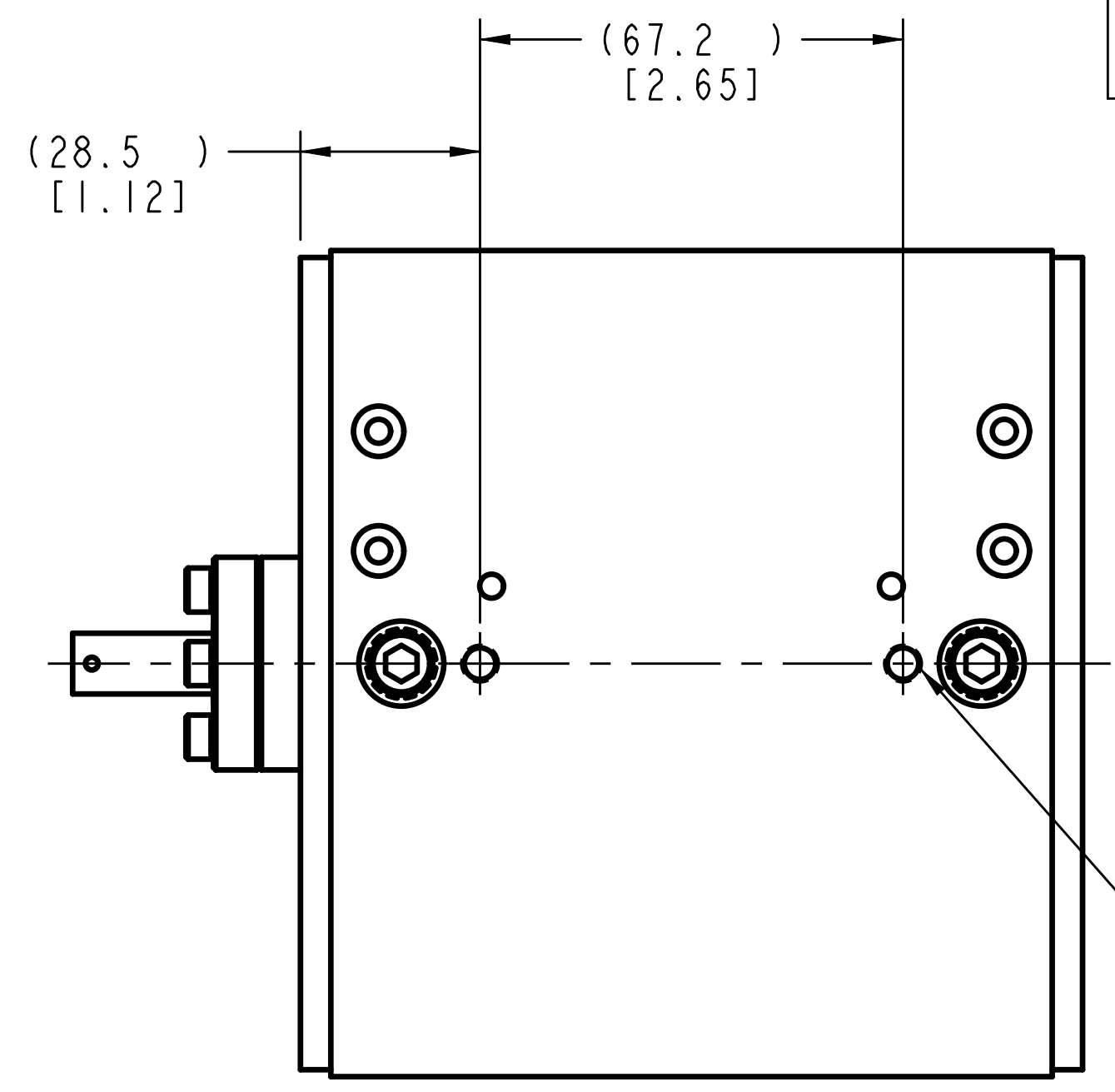
ALL DIMENSIONS ARE FOR REFERENCE ONLY.

METRIC THIRD ANGLE PROJECTION 	<small>UNLESS OTHERWISE SPECIFIED, DIMENSIONS ARE IN MILLIMETERS SURFACE ROUGHNESS IN MICROMETERS</small> TOLERANCES: LINEAR ±0.13 HOLES ±0.13 ANGULAR (±) MACHINED 0.5° FORMED 1° CHAMFER 5° MACHINED SURFACES $\sqrt{1.6}$ BREAK SHARP EDGES: R.2 OR 45° 0.2 MAX. INTERNAL MACH CORNER R.4 MAX.	DWN R GOLLA DATE 7-20-06 CHK MHC DATE 7-20-06 APPV RDG DATE 7-20-06 RI RDG TOLERANCING AND DIMENSIONING PER ANSI Y14.5M - 1982 THIS DRAWING CONTAINS PROPRIETARY INFORMATION AND ANY REPRODUCTION, DISCLOSURE OR USE OF THIS DRAWING IS EXPRESSLY PROHIBITED EXCEPT AS AGREED TO IN WRITING.	Gamma Vacuum 2915 133rd Street West # Shakopee, MN TITLE 25S-XX-2V-XX SIZE DRAWING NO. D 360138 SCALE 1.000 DETACHED <input type="checkbox"/> PL <input type="checkbox"/> SPEC SHT 2 OF 2	REV. E
---	--	---	--	--------

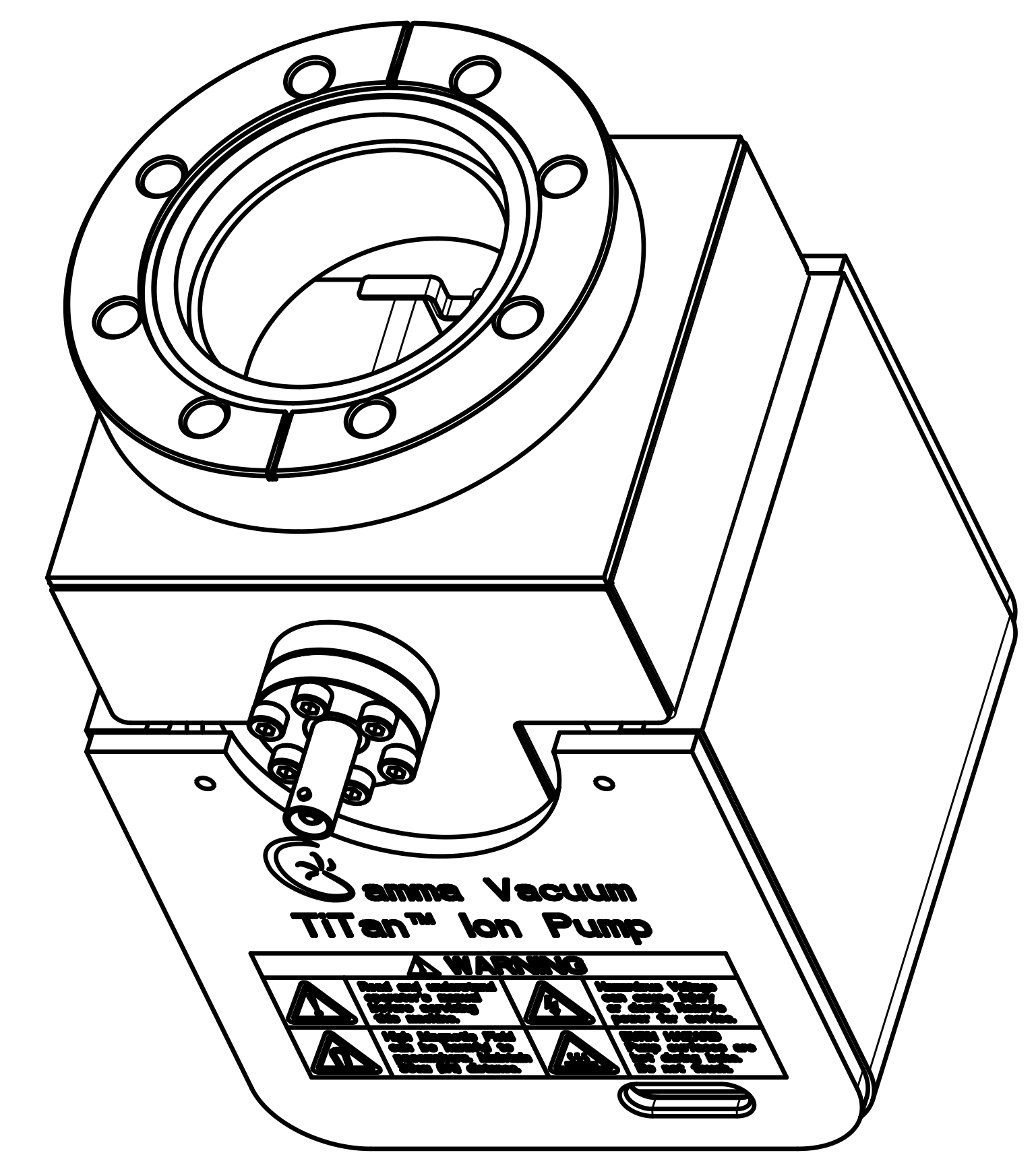
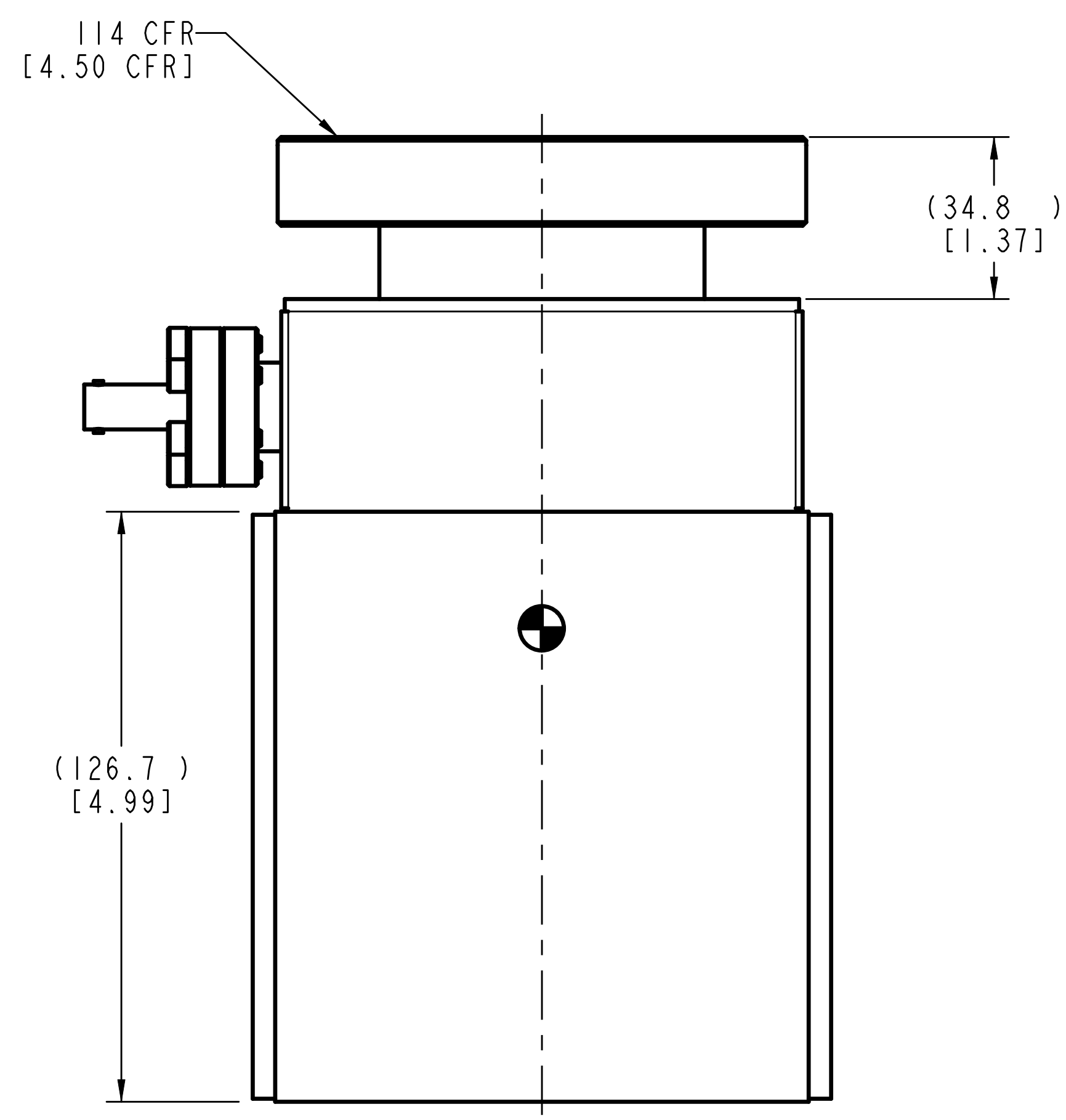
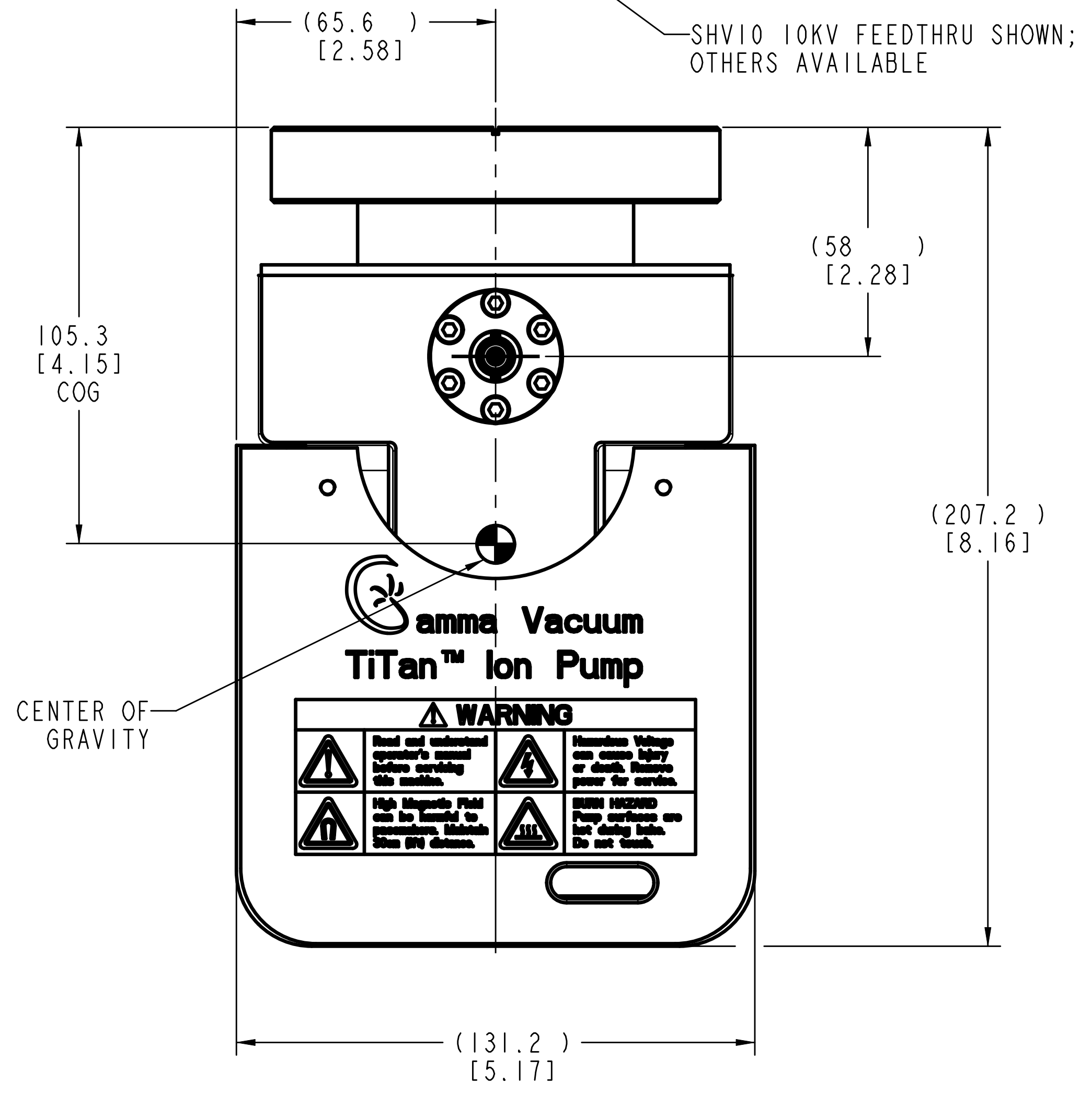
THIS DRAWING HAS BEEN GENERATED AND IS MAINTAINED BY PRO/ENGINEER CAD SYSTEM.



	DIM X	
FDTHRU	MM	INCH
SC	98.3	3.87
KG	98.3	3.87
SCO	98.3	3.87
FI	108.8	4.28
OV	141.5	5.57
VR	150.5	5.93
LE	108.3	4.26
OP	119.5	4.70



BOTTOM VIEW MOUNTING HOLE PATTERN



ALL DIMENSIONS ARE FOR REFERENCE ONLY.

METRIC

THIRD ANGLE PROJECTION

UNLESS OTHERWISE SPECIFIED, DIMENSIONS ARE IN MILLIMETERS SURFACE ROUGHNESS IN MICROMETERS

TOLERANCES:
 LINEAR ±0.13
 HOLES ±0.13
 ANGULAR (±)
 MACHINED 0.5°
 FORMED 1°
 CHAMFER 5°
 MACHINED SURFACES 1.6

BREAK SHARP EDGES:
 R.2 OR 45° 0.2 MAX.
 INTERNAL MACH CORNER R.4 MAX.

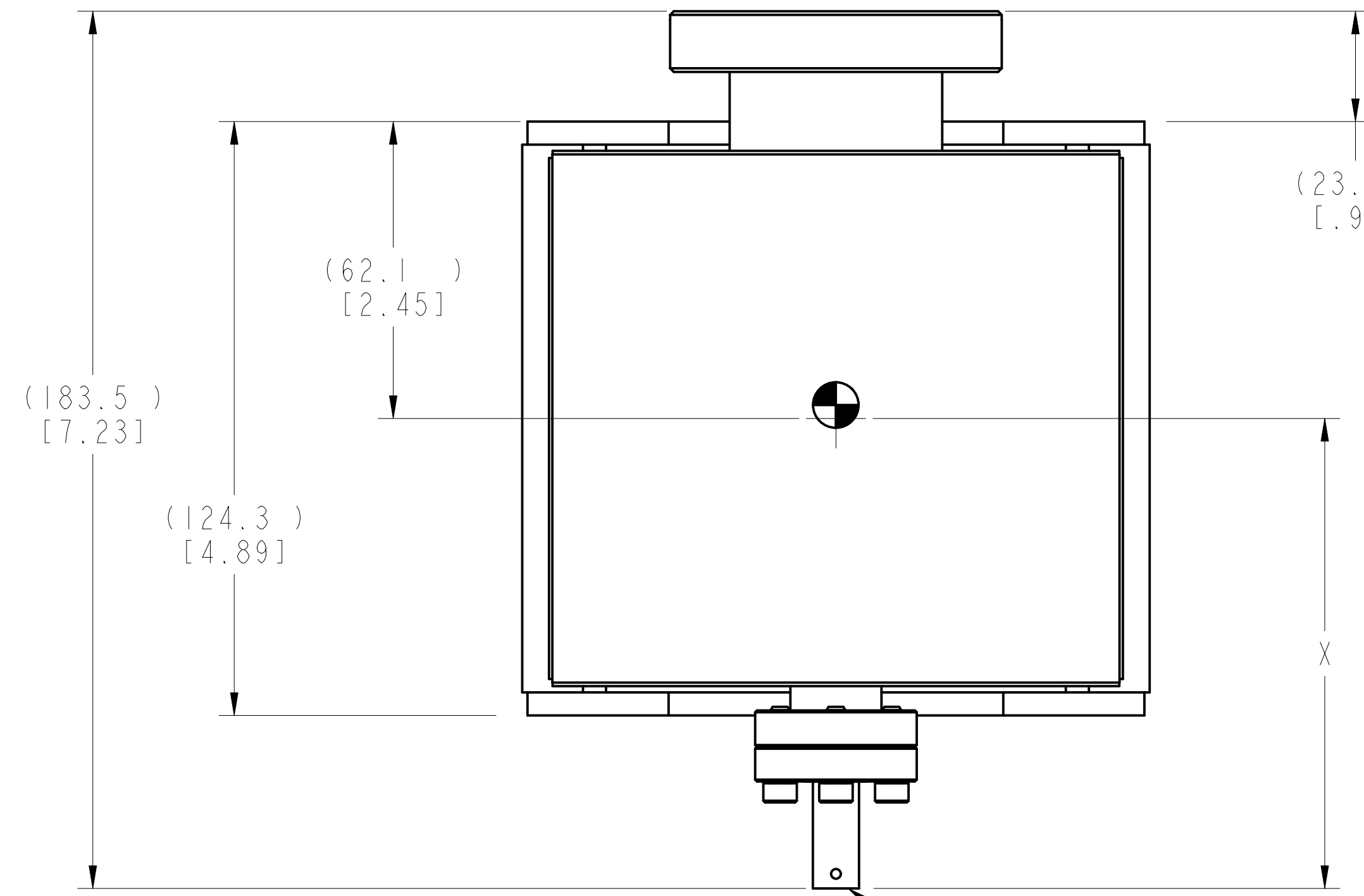
DWN	R GOLLA	DATE	7-20-06
CHK	MHC	DATE	7-20-06
APPV	RDG	DATE	7-20-06
RI	RDG		
TOLERANCING AND DIMENSIONING PER ANSI Y14.5M - 1982			
THIS DRAWING CONTAINS PROPRIETARY INFORMATION AND ANY REPRODUCTION, DISCLOSURE OR USE OF THIS DRAWING IS EXPRESSLY PROHIBITED EXCEPT AS AGREED TO IN WRITING.			

Gamma Vacuum
 2915 133rd Street West # Shakopee, MN

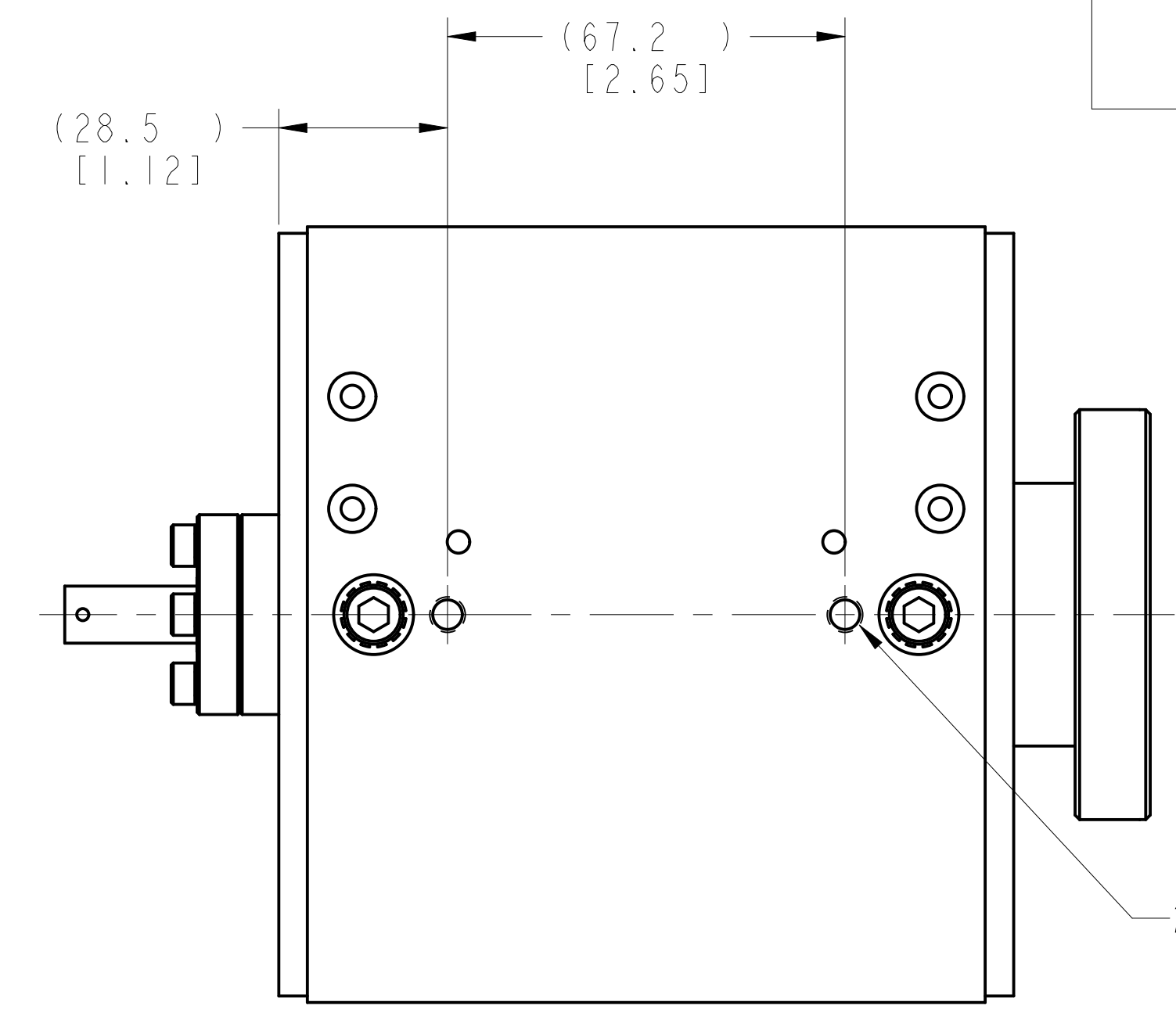
TITLE
 25S-XX-4V-XX

SIZE DRAWING NO. 360139 REV. E

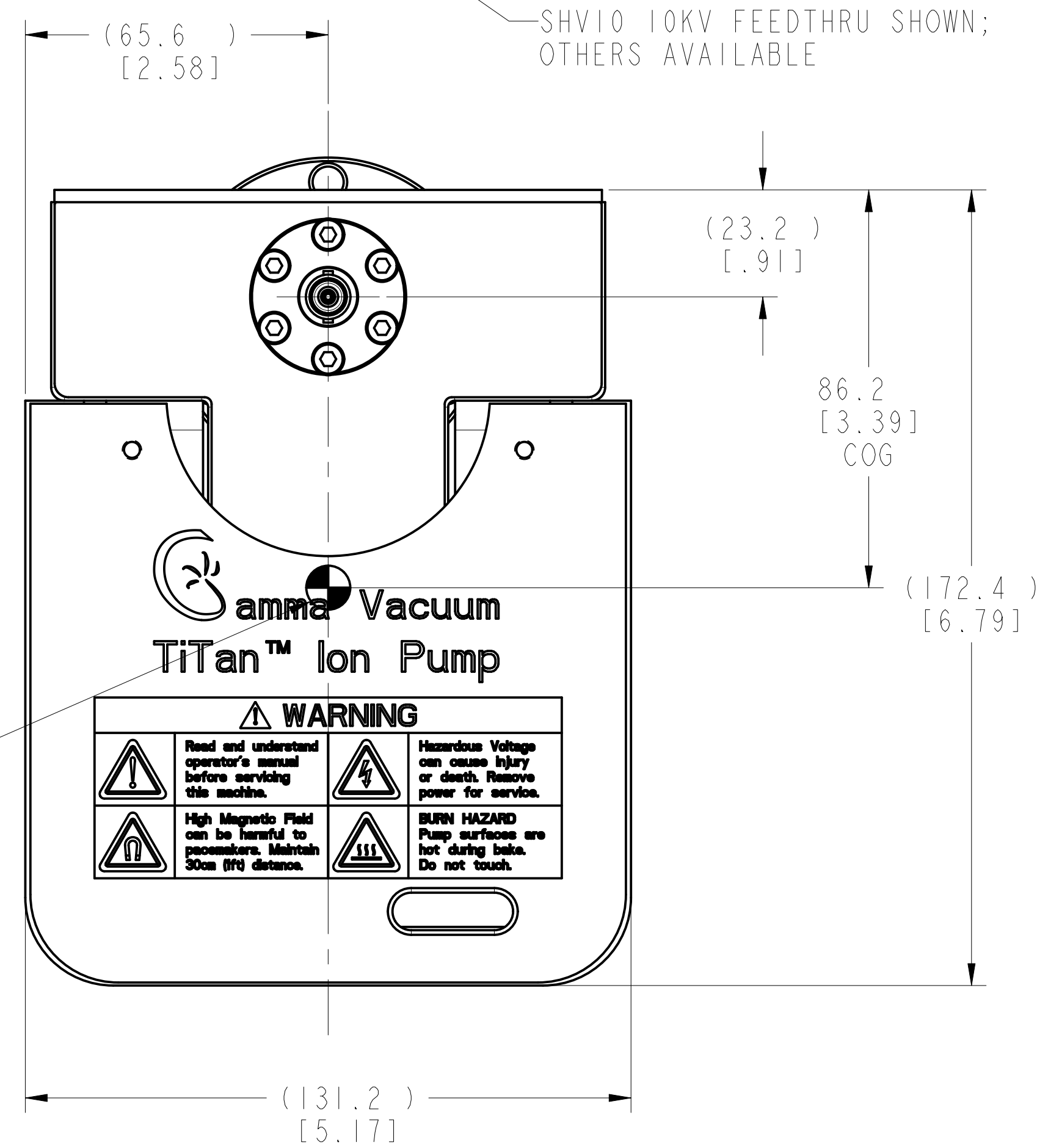
SCALE 1.000 DETACHED PL SPEC SHT 2 OF 2



	DIM X	
FDTHRU	MM	INCH
SC	98.3	3.87
KG	98.3	3.87
SCO	98.3	3.87
FI	108.8	4.28
OV	141.5	5.57
VR	150.5	5.93
LE	108.3	4.26
OP	119.5	4.70



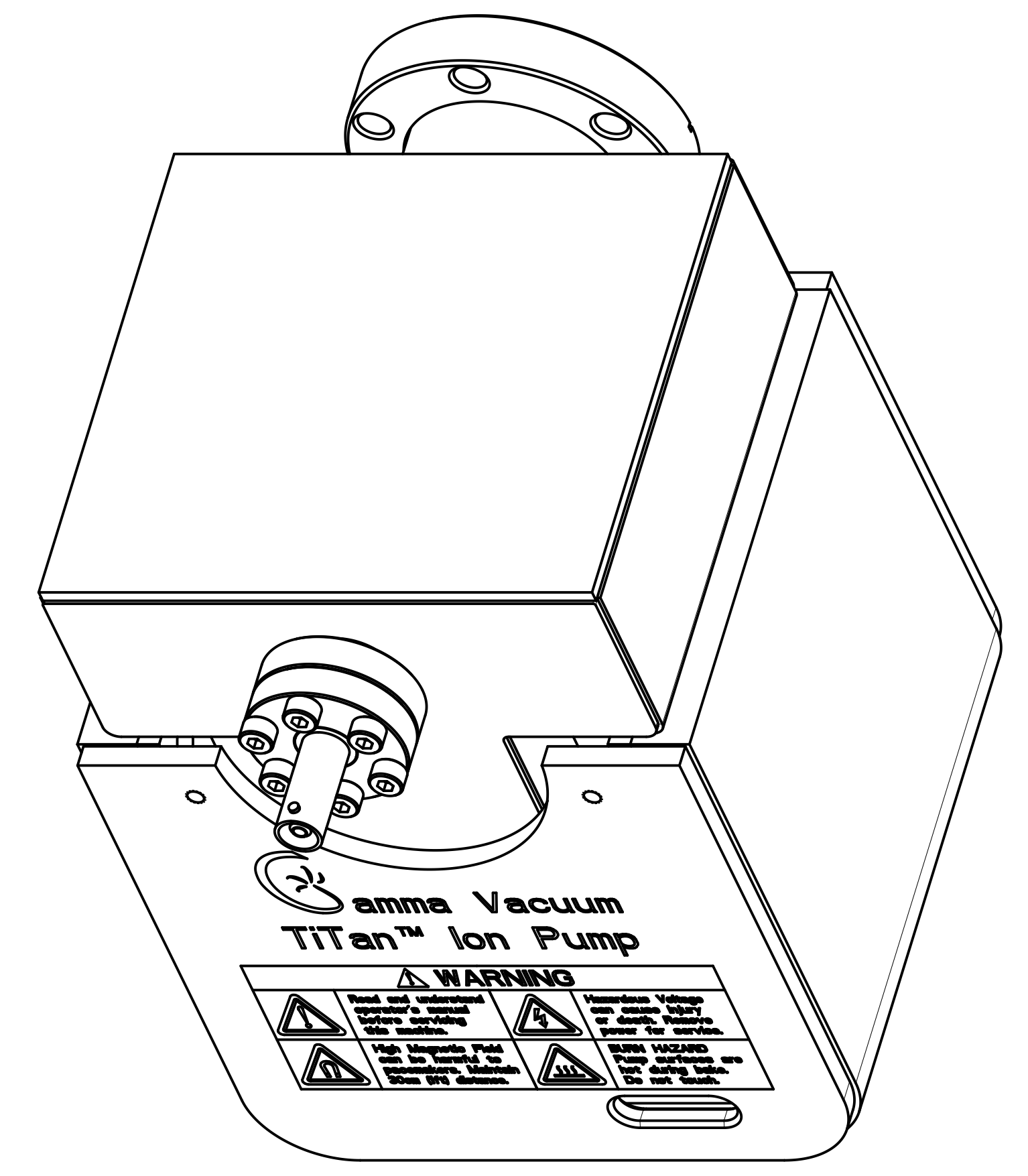
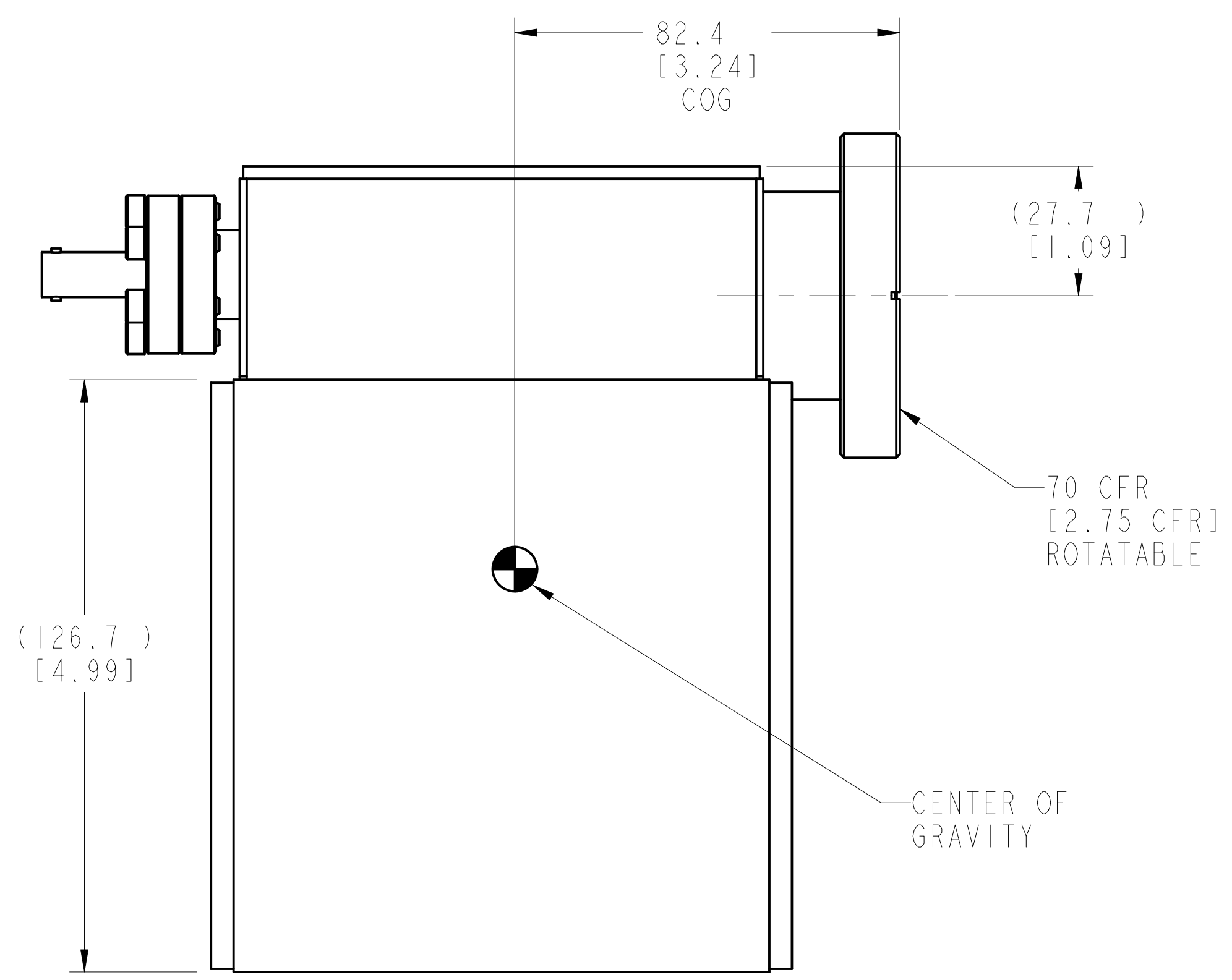
BOTTOM VIEW
MOUNTING HOLE PATTERN



Gamma Vacuum
TiTan™ Ion Pump

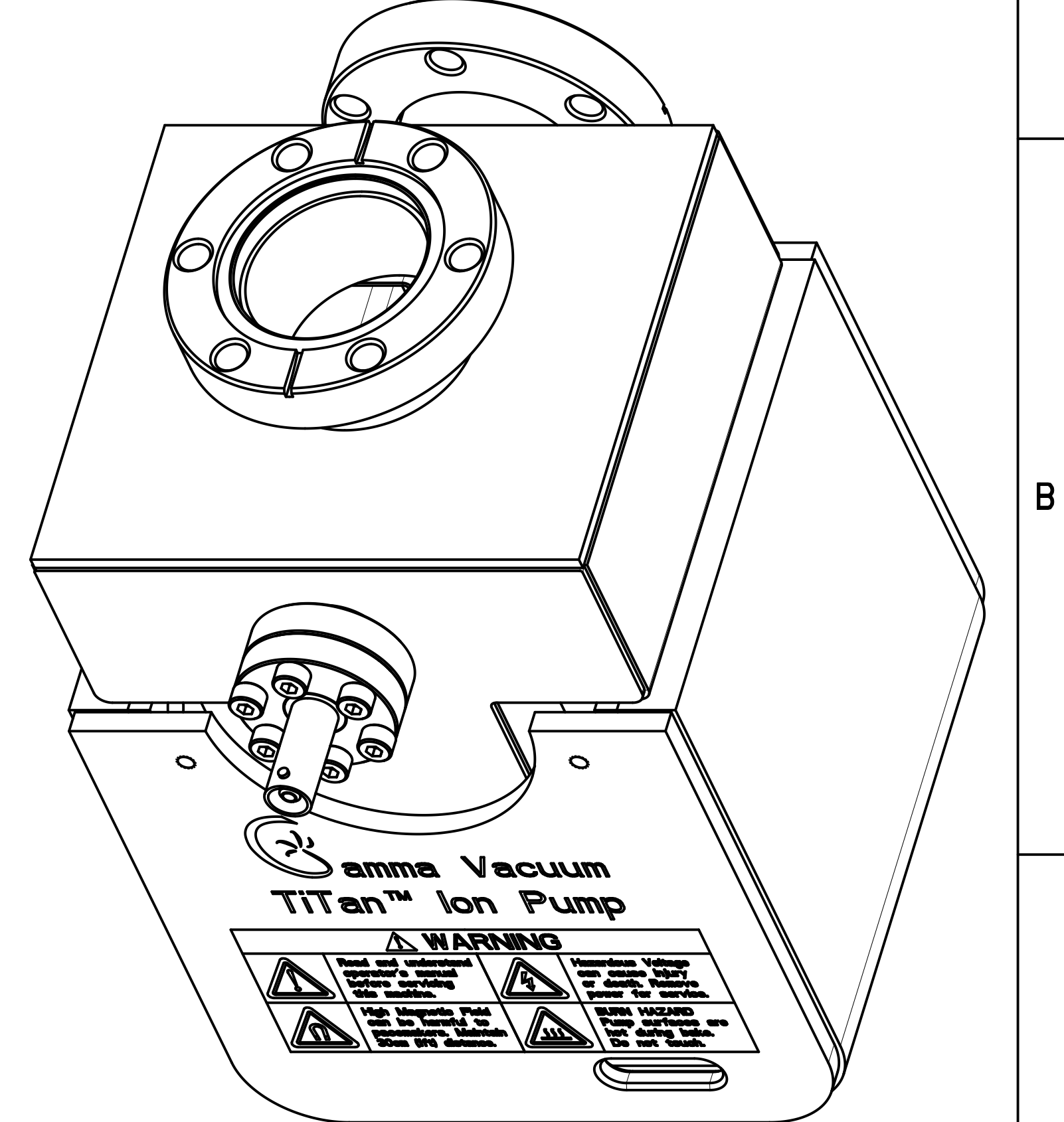
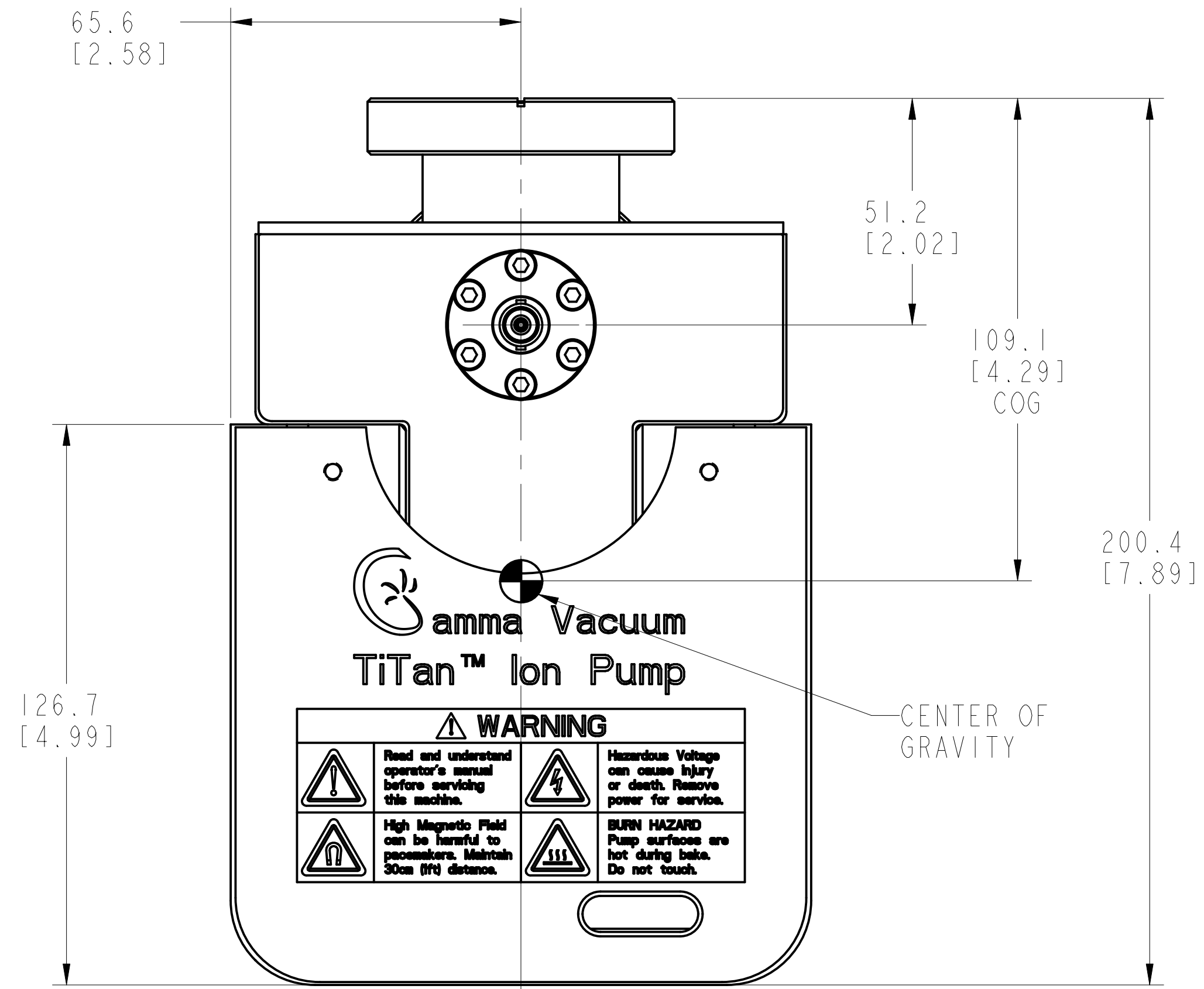
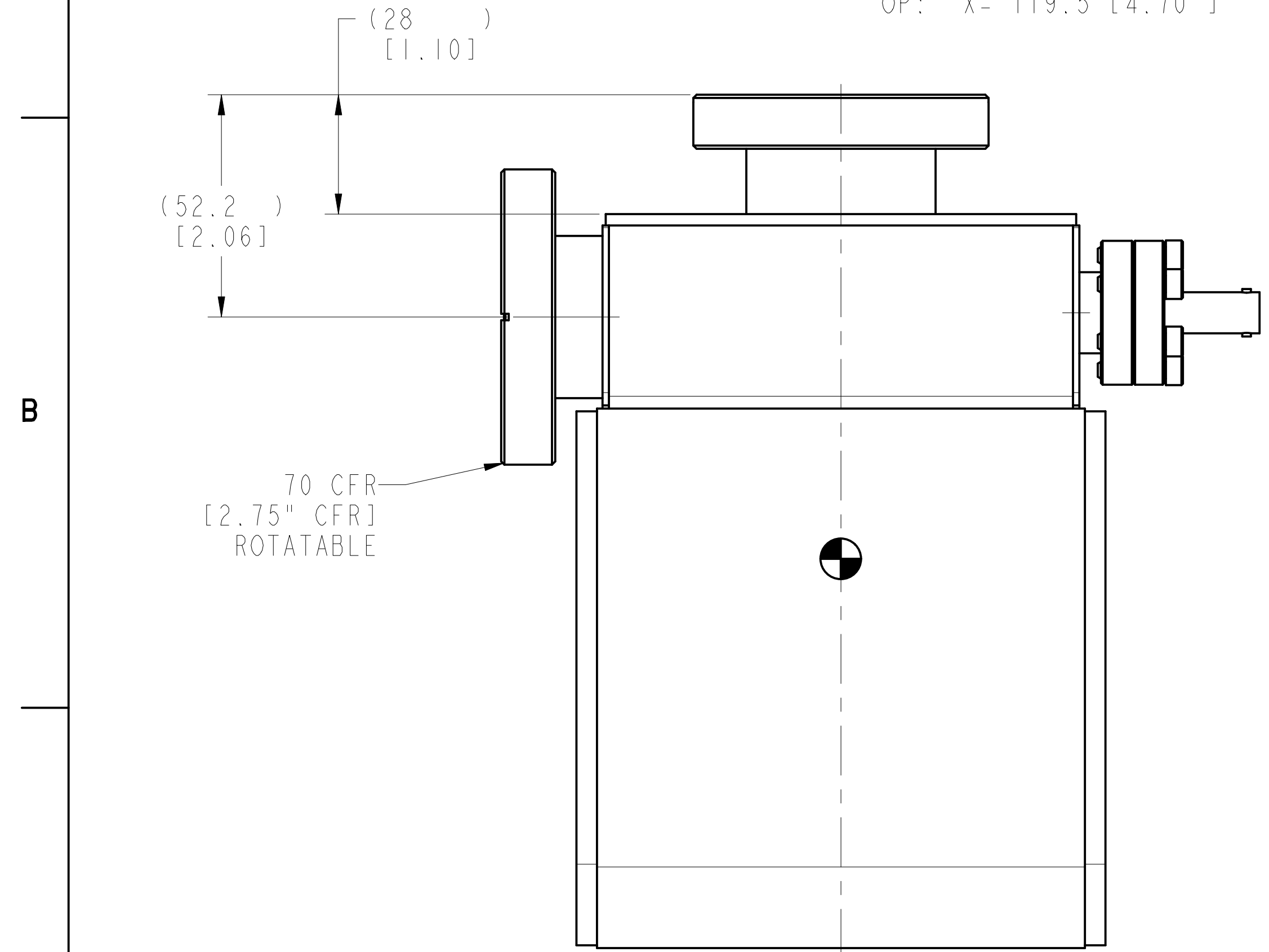
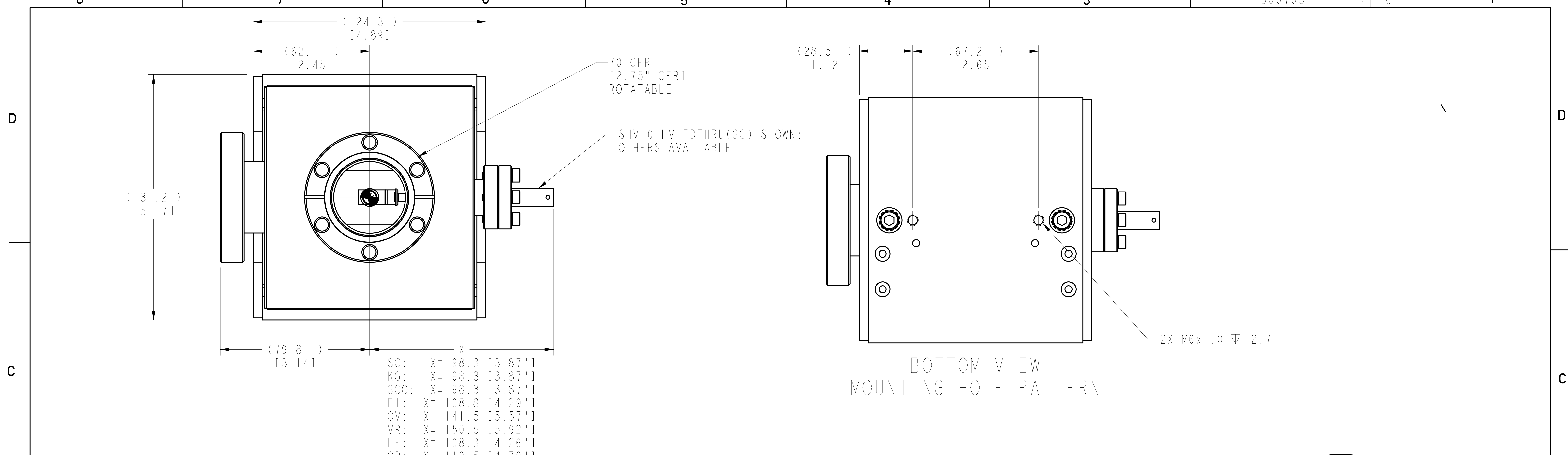
WARNING

	Read and understand operator's manual before servicing this machine.		Hazardous Voltage can cause injury or death. Remove power for service.
	High Magnetic Field can be harmful to pacemakers. Maintain 30cm (1ft) distance.		BURN HAZARD Pump surfaces are hot during bake. Do not touch.



ALL DIMENSIONS ARE FOR REFERENCE ONLY.

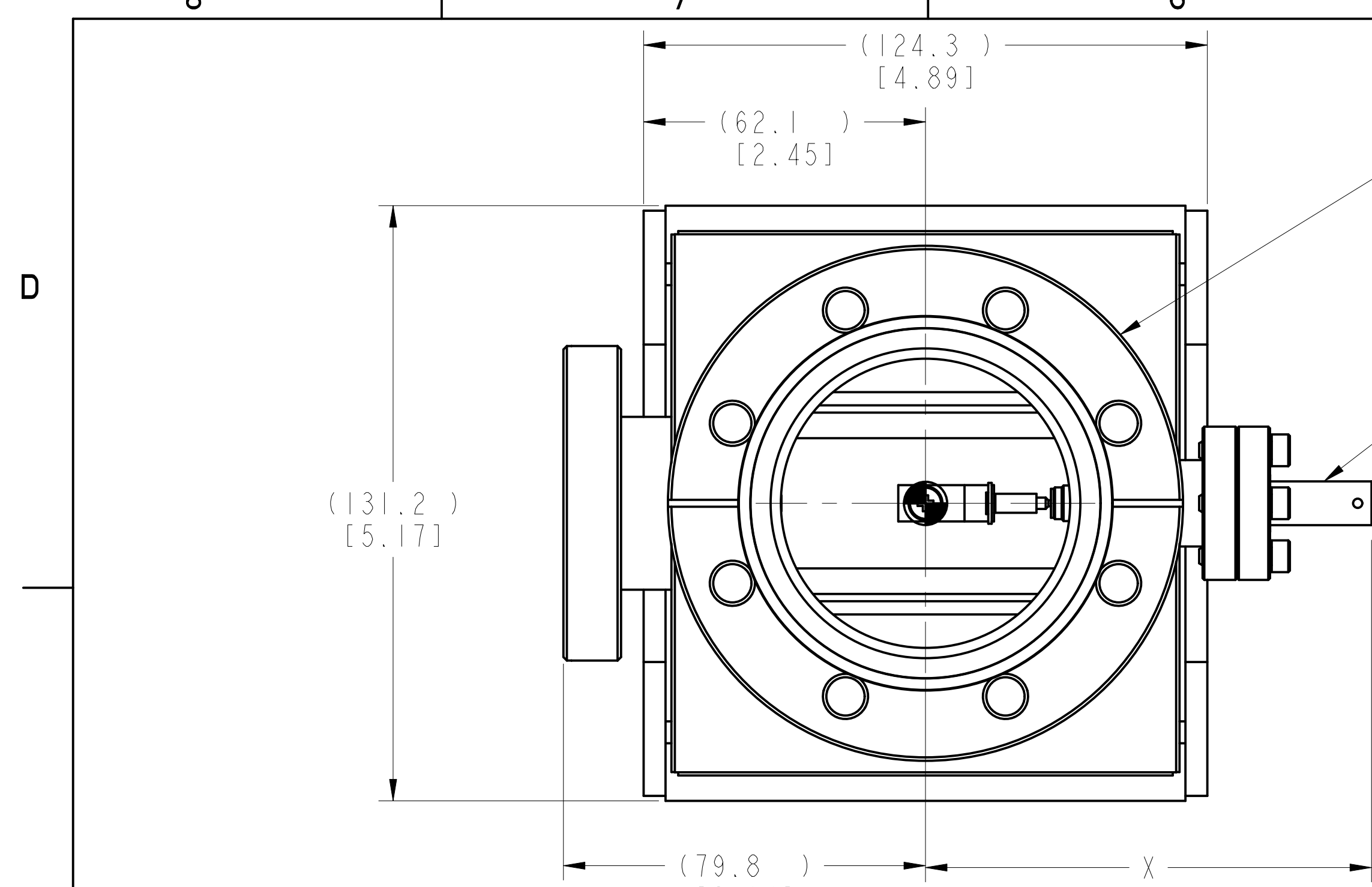
METRIC THIRD ANGLE PROJECTION 	UNLESS OTHERWISE SPECIFIED: DIMENSIONS ARE IN MILLIMETERS SURFACE ROUGHNESS IN MICROMETERS TOLERANCES: LINEAR ±0.13 HOLES ±0.13 ANGULAR (±) MACHINED 0.5° FORMED 1° CHAMFER 5° MACHINED SURFACES $\sqrt{1.6}$ BREAK SHARP EDGES: R.2 OR 45° 0.2 MAX. INTERNAL MACH CORNER R.4 MAX.	DWN R GOLLA DATE 3-10-09 CHK MHC DATE 3-10-09 APPV RDG DATE 3-10-09 RI RDG TOLERANCING AND DIMENSIONING PER ANSI Y14.5M - 1982 THIS DRAWING CONTAINS PROPRIETARY INFORMATION AND ANY REPRODUCTION, DISCLOSURE OR USE OF THIS DRAWING IS EXPRESSLY PROHIBITED EXCEPT AS AGREED TO IN WRITING.	Gamma Vacuum 2915 133rd Street West * Shakopee, MN TITLE 25S-XX-2H-XX SIZE DRAWING NO. 360783 REV. D SCALE 1.000 DETACHED <input type="checkbox"/> PL <input type="checkbox"/> SPEC SHT 2 OF 2
---	---	---	--



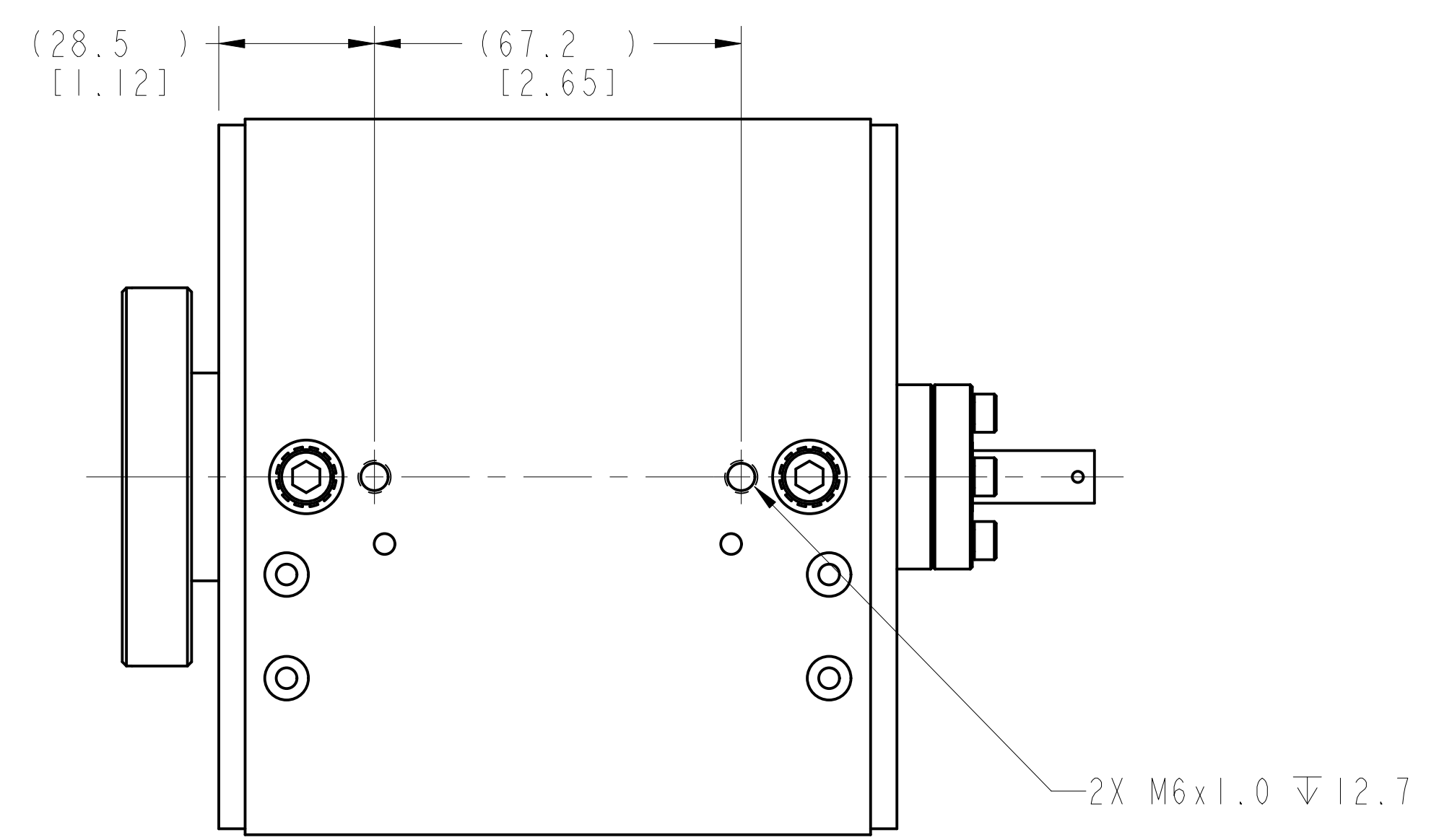
25S-2D

ALL DIMENSIONS ARE FOR REFERENCE ONLY.

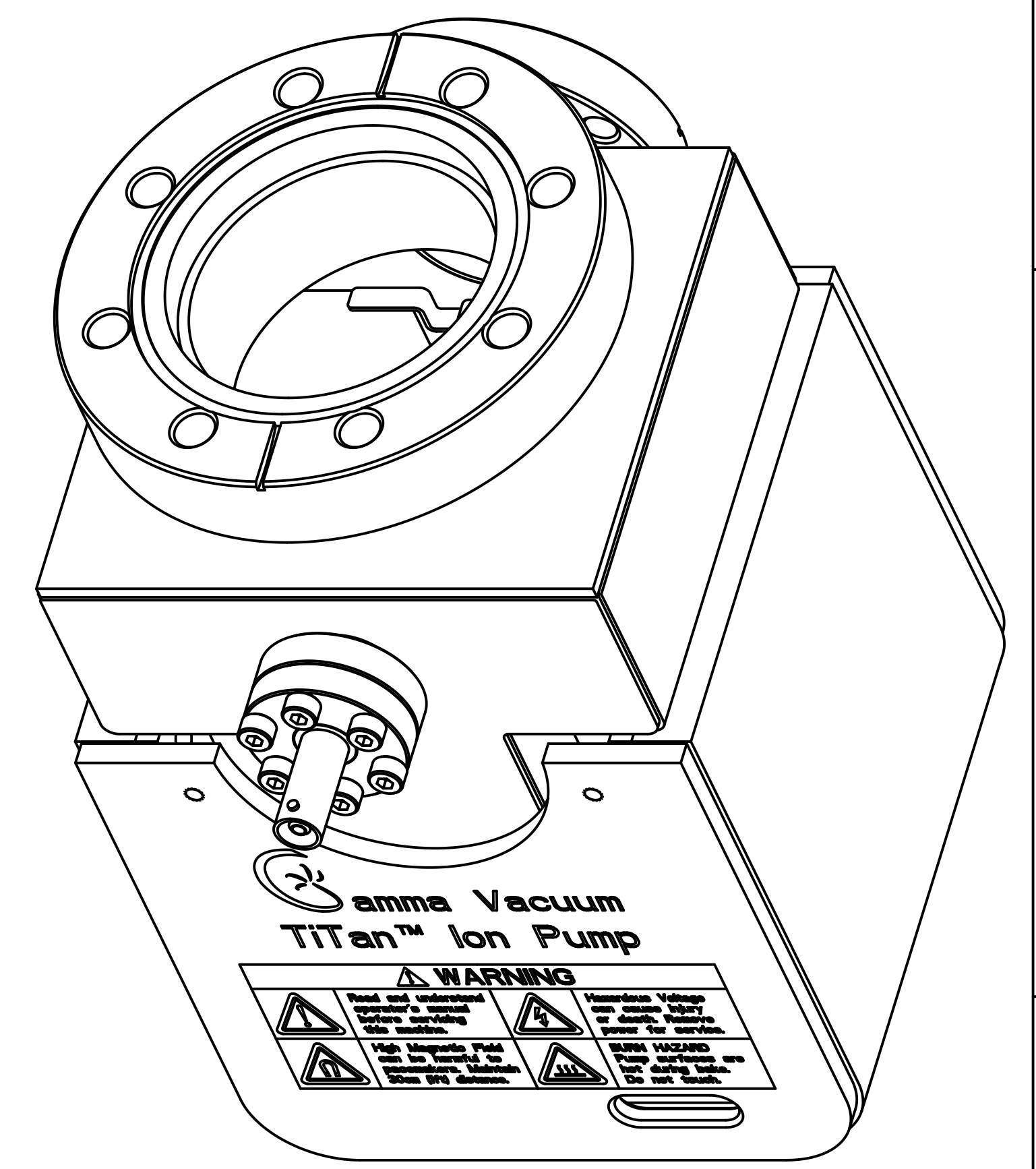
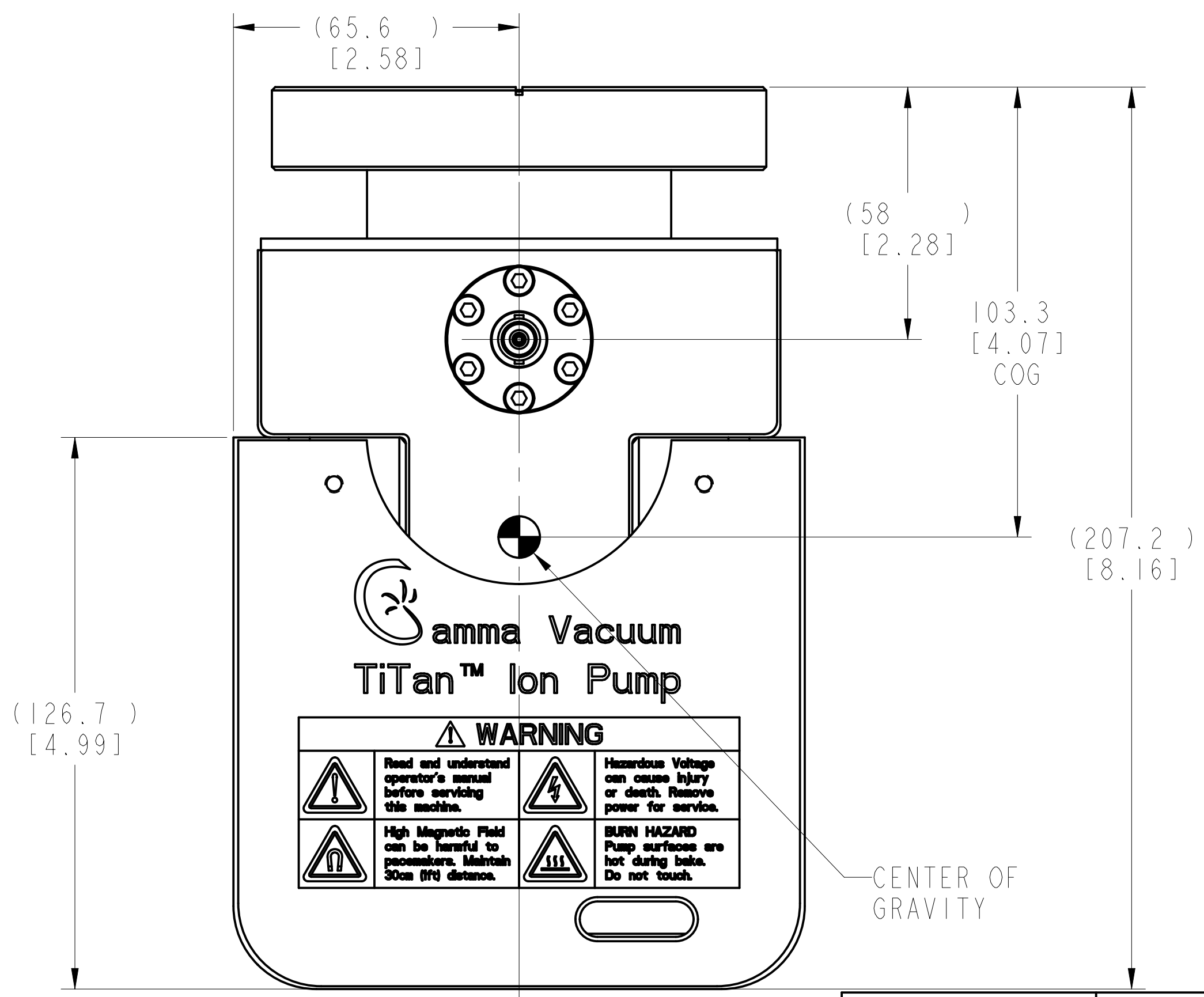
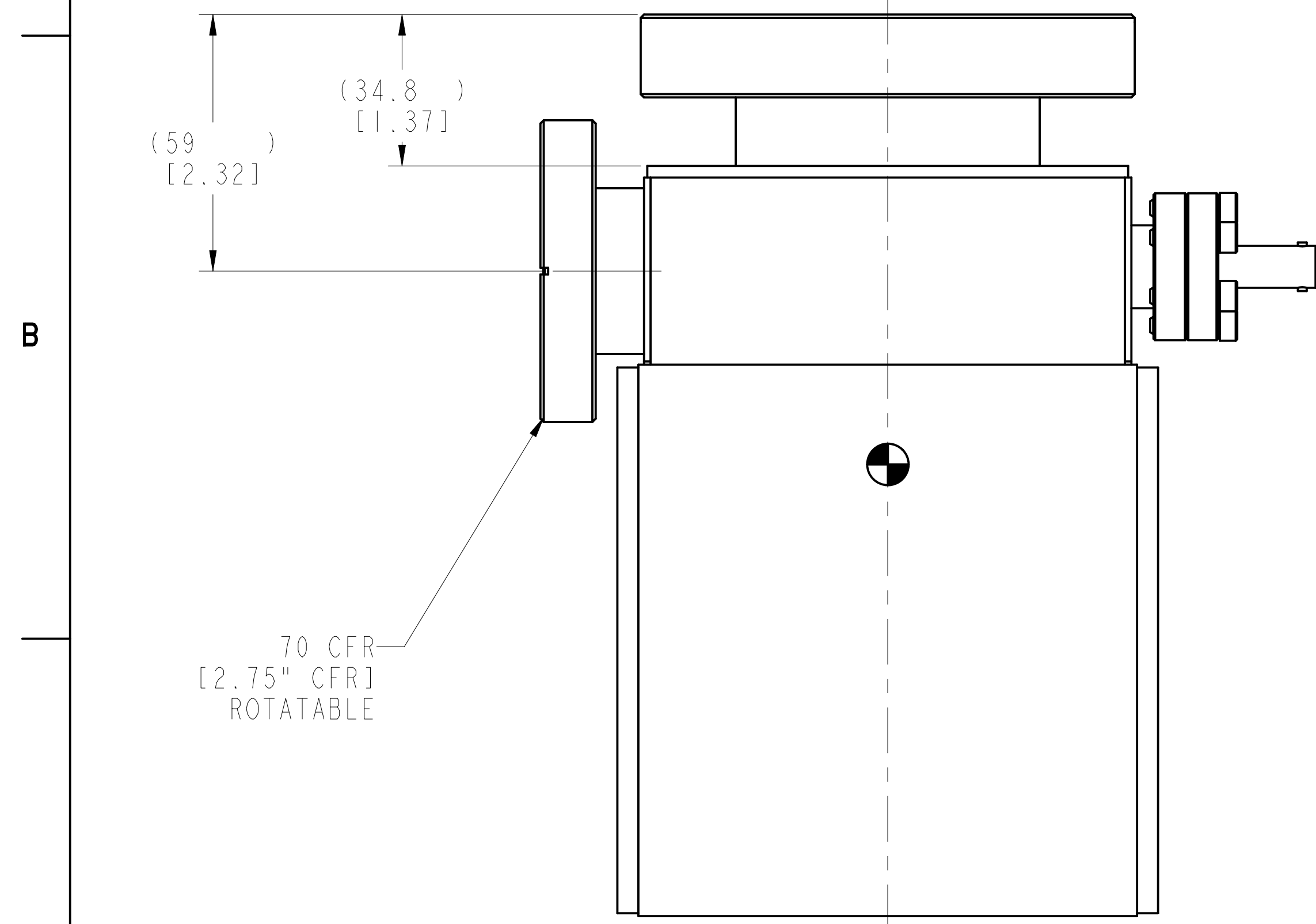
METRIC THIRD ANGLE PROJECTION 	UNLESS OTHERWISE SPECIFIED, DIMENSIONS ARE IN MILLIMETERS SURFACE ROUGHNESS IN MICROMETERS TOLERANCES: LINEAR ±0.13 HOLES ±0.13 ANGULAR (±) MACHINED 0.5° FORMED 1° CHAMFER 5° MACHINED SURFACES $\sqrt{1.6}$ BREAK SHARP EDGES: R.2 OR 45° 0.2 MAX. INTERNAL MACH CORNER R.4 MAX.	DWN R GOLLA DATE 5-19-09 CHK MHC DATE 5-19-09 APPV RDG DATE 5-19-09 RI RDG TOLERANCING AND DIMENSIONING PER ANSI Y14.5M - 1982 THIS DRAWING CONTAINS PROPRIETARY INFORMATION AND ANY REPRODUCTION, DISCLOSURE OR USE OF THIS DRAWING IS EXPRESSLY PROHIBITED EXCEPT AS AGREED TO IN WRITING.	Gamma Vacuum 2915 133rd Street West * Shakopee, MN TITLE 25S-XX-2D-SC-N-N SIZE DRAWING NO. 360795 REV. C SCALE 1.000 DETACHED <input type="checkbox"/> PL <input type="checkbox"/> SPEC SHT 2 OF 3
---	---	---	---



SC:	X= 98.3 [3.87"]
KG:	X= 98.3 [3.87"]
SCO:	X= 98.3 [3.87"]
F1:	X= 108.8 [4.29"]
OV:	X= 141.5 [5.57"]
VR:	X= 150.5 [5.92"]
LE:	X= 108.3 [4.26"]
OP:	X= 119.5 [4.70"]



BOTTOM VIEW
 MOUNTING HOLE PATTERN



25S-4D

ALL DIMENSIONS ARE FOR REFERENCE ONLY.

METRIC

THIRD ANGLE PROJECTION

UNLESS OTHERWISE SPECIFIED, DIMENSIONS ARE IN MILLIMETERS SURFACE ROUGHNESS IN MICROMETERS

TOLERANCES:
 LINEAR ±0.13
 HOLES ±0.13
 ANGULAR (±)
 MACHINED 0.5°
 FORMED 1°
 CHAMFER 5°
 MACHINED SURFACES 1.6

BREAK SHARP EDGES:
 R.2 OR 45° 0.2 MAX.
 INTERNAL MACH CORNER R.4 MAX.

DWN	R GOLLA	DATE	18-Sep-13
CHK		DATE	
APPV		DATE	
RI	RDG		
TOLERANCING AND DIMENSIONING PER ANSI Y14.5M - 1982			
THIS DRAWING CONTAINS PROPRIETARY INFORMATION AND ANY REPRODUCTION, DISCLOSURE OR USE OF THIS DRAWING IS EXPRESSLY PROHIBITED EXCEPT AS AGREED TO IN WRITING.			

Gamma Vacuum
 2915 133rd Street West * Shakopee, MN

TITLE
 25S-XX-4D-SC-N-N

SIZE DRAWING NO. 360795 REV. C
 SCALE 1.000 DETACHED PL SPEC SHT 3 OF 3