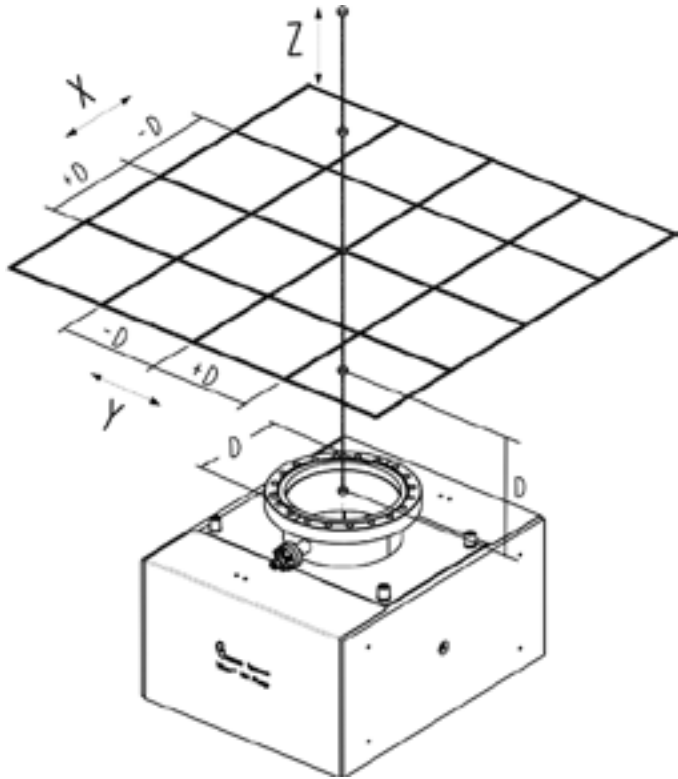


Titan 1200LX



*Diagram for representation only and may not mimic pump style



Ion Pump Magnetic Field Data
 Collected in accordance with ISO/DIN 28429
 Ion Pump Style*: 1200LX, Flange: 8" CFF (NW150),
 D: 6" (152.4 mm), Data Units: Gauss

		Z = 0				
		-2D	-D	0	D	2D
Y	-2D	1.637	1.479	2.054	3.570	1.157
	-D	2.796	1.542	1.676	1.479	1.646
	0	0.754	1.431	1.459	3.681	3.676
	D	2.949	2.513	2.121	6.633	6.034
	2D	1.542	4.209	3.443	3.413	2.385

		Z = D				
		-2D	-D	0	D	2D
Y	-2D	0.806	0.927	1.183	0.900	0.707
	-D	0.754	0.900	1.135	1.104	0.812
	0	0.424	0.927	1.144	1.506	1.220
	D	0.360	0.927	1.081	1.445	1.489
	2D	0.678	1.095	0.994	0.927	1.067

		Z = 2D				
		-2D	-D	0	D	2D
Y	-2D	0.781	1.024	1.024	0.714	0.707
	-D	0.860	0.787	1.024	0.812	0.806
	0	0.663	0.877	1.029	0.927	0.905
	D	0.663	0.943	1.004	1.034	0.854
	2D	0.781	0.860	0.883	0.866	0.948

		Z = 3D				
		-2D	-D	0	D	2D
Y	-2D	0.640	0.877	0.948	0.616	0.616
	-D	0.781	0.824	0.948	0.714	0.714
	0	0.781	0.899	0.899	0.734	0.734
	D	0.640	0.860	0.860	0.768	0.734
	2D	0.781	0.860	0.911	0.768	0.768

		Z = 4D				
		-2D	-D	0	D	2D
Y	-2D	0.640	0.754	0.927	0.424	0.424
	-D	0.836	0.640	0.877	0.640	0.616
	0	0.707	0.616	0.994	0.734	0.734
	D	0.707	0.836	0.899	0.768	0.830
	2D	0.836	0.781	0.911	0.734	0.678