

4

3

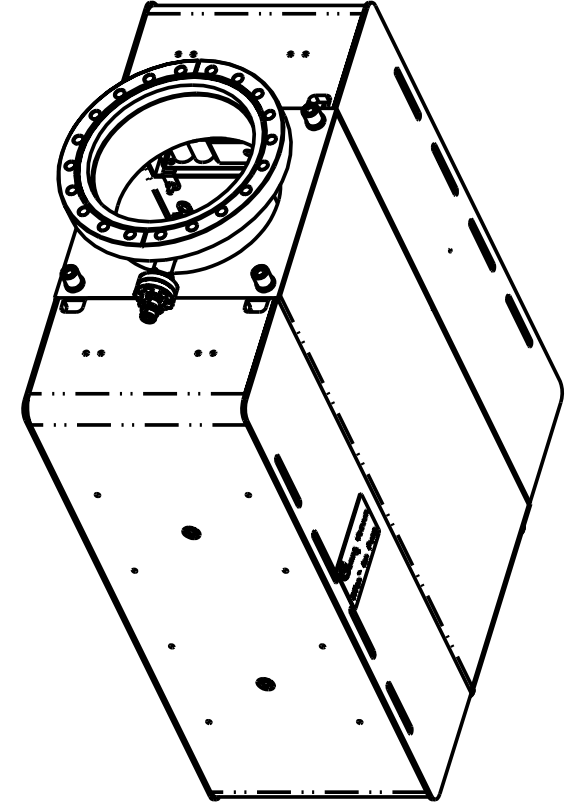
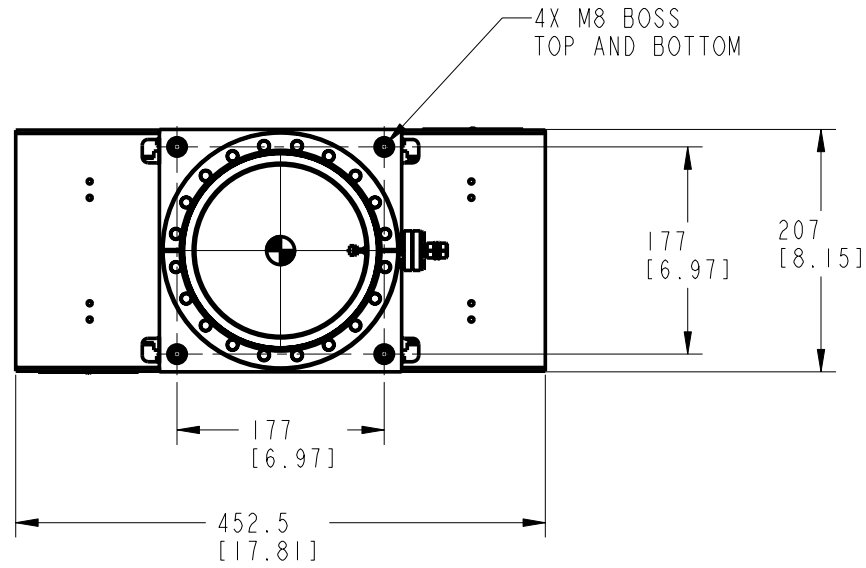
2

DWG. NO. 500T-XX-8S SH. 2 REV. A

THIS DRAWING HAS BEEN GENERATED AND IS MAINTAINED BY PRO/ENGINEER CAD SYSTEM.

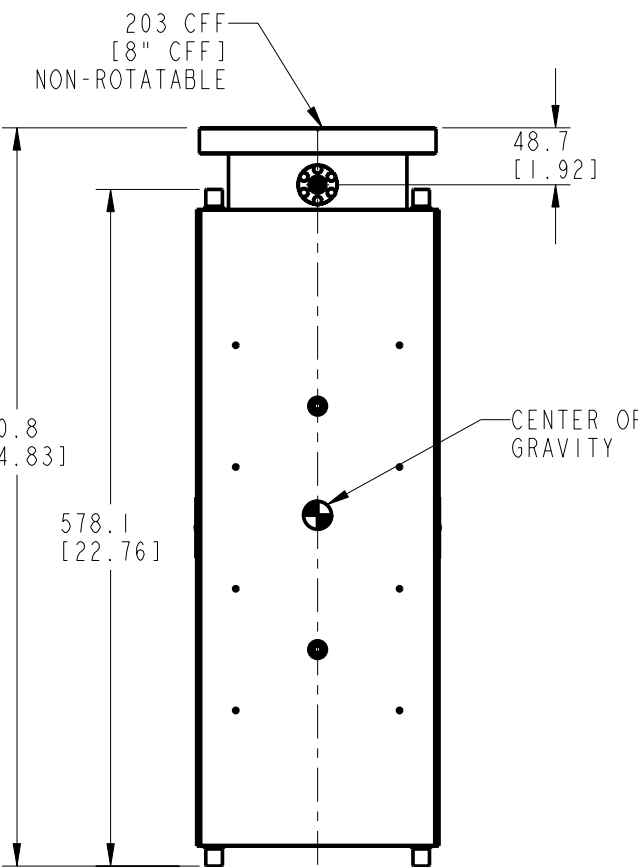
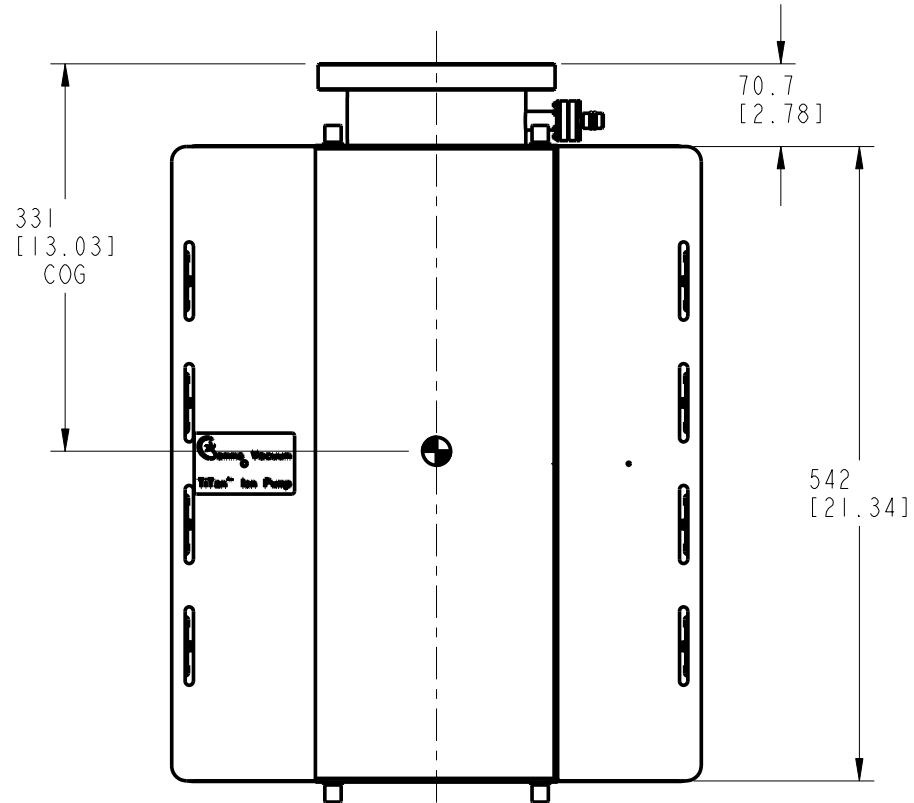
D

D



C

C



B

B

A

A

ALL DIMENSIONS ARE FOR REFERENCE ONLY

METRIC	UNLESS OTHERWISE SPECIFIED DIMENSIONS ARE IN MILLIMETERS SURFACE ROUGHNESS IN MICROMETERS	DWN R GOLLA	DATE 26-Sep-97	Gamma Vacuum 12912 Ventura Court, No. 28 * Shakopee, MN
	TOLERANCES: LINEAR ±0.13 HOLES ±0.13 ANGULAR (±)	CHK	DATE	
THIRD ANGLE PROJECTION	MACHINED 0.5° FORMED 1° CHAMFER 5° 1.6	APPV	DATE	TITLE PUMP-ION, 500L/S, SE, 8", TALL
	MACHINED SURFACES BREAK SHARP EDGES: R0.2 OR 45° 0.2 MAX. INTERNAL MACH. CORNER R.4 MAX.	R1	R GOLLA	SIZE C
	THIS DRAWING CONTAINS PROPRIETARY INFORMATION AND ANY REPRODUCTION, DISCLOSURE OR USE OF THIS DRAWING IS EXPRESSLY PROHIBITED EXCEPT AS GAMMA VACUUM MAY OTHERWISE AGREE TO IN WRITING.	TOLERANCING AND DIMENSIONING PER ANSI Y14.5M-1982		DRAWING NO. 500T-XX-8S
		SCALE 0.250 DETACHED <input type="checkbox"/> PLO SPEC		REV. A
				SHT 2 OF 2

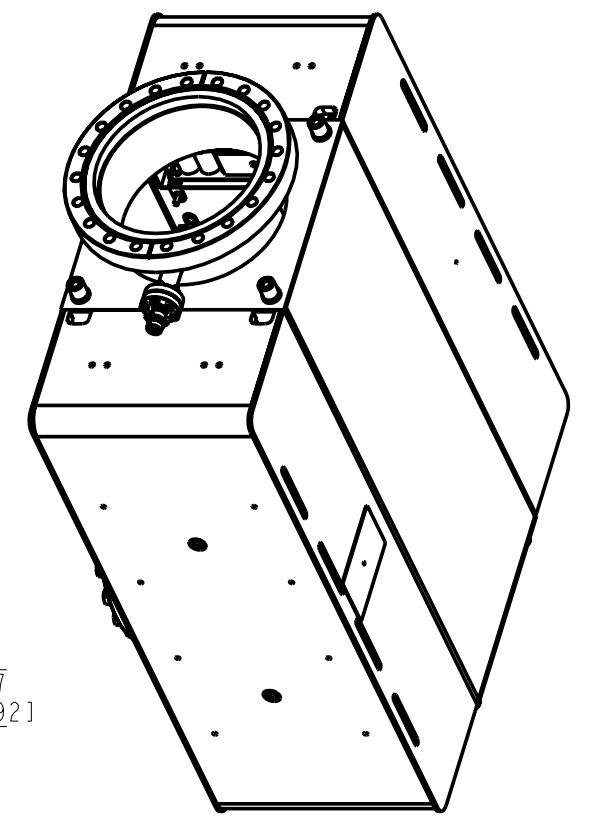
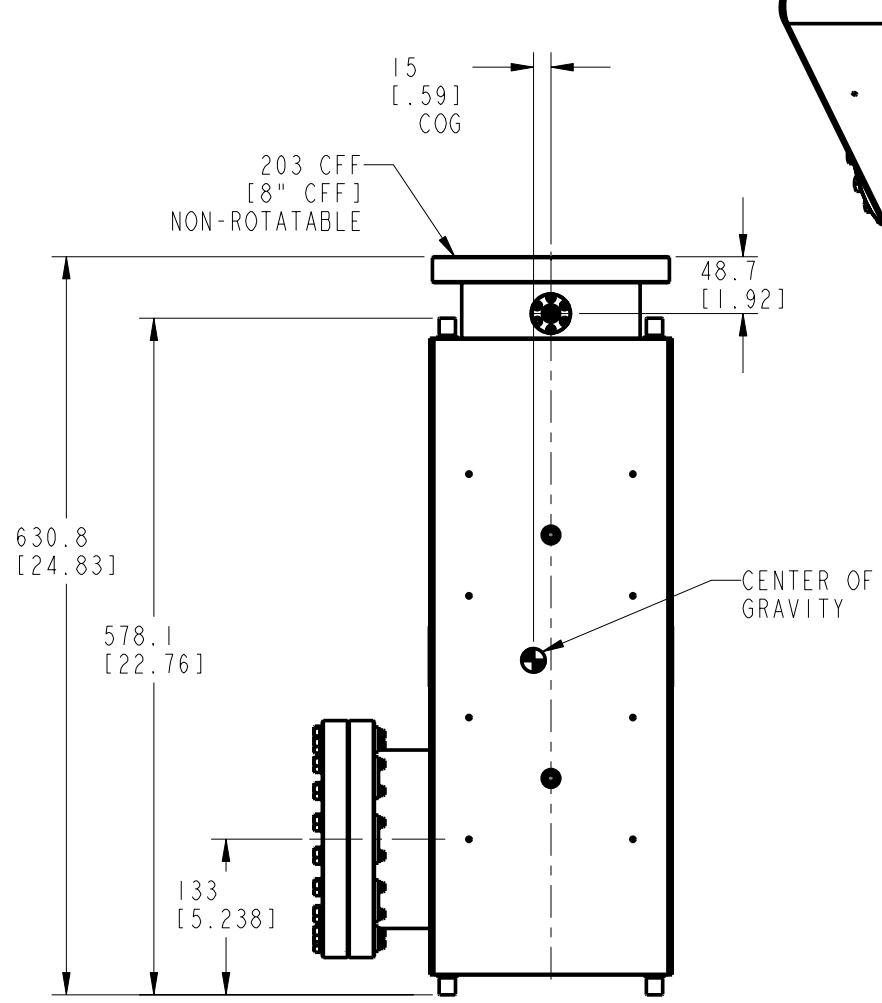
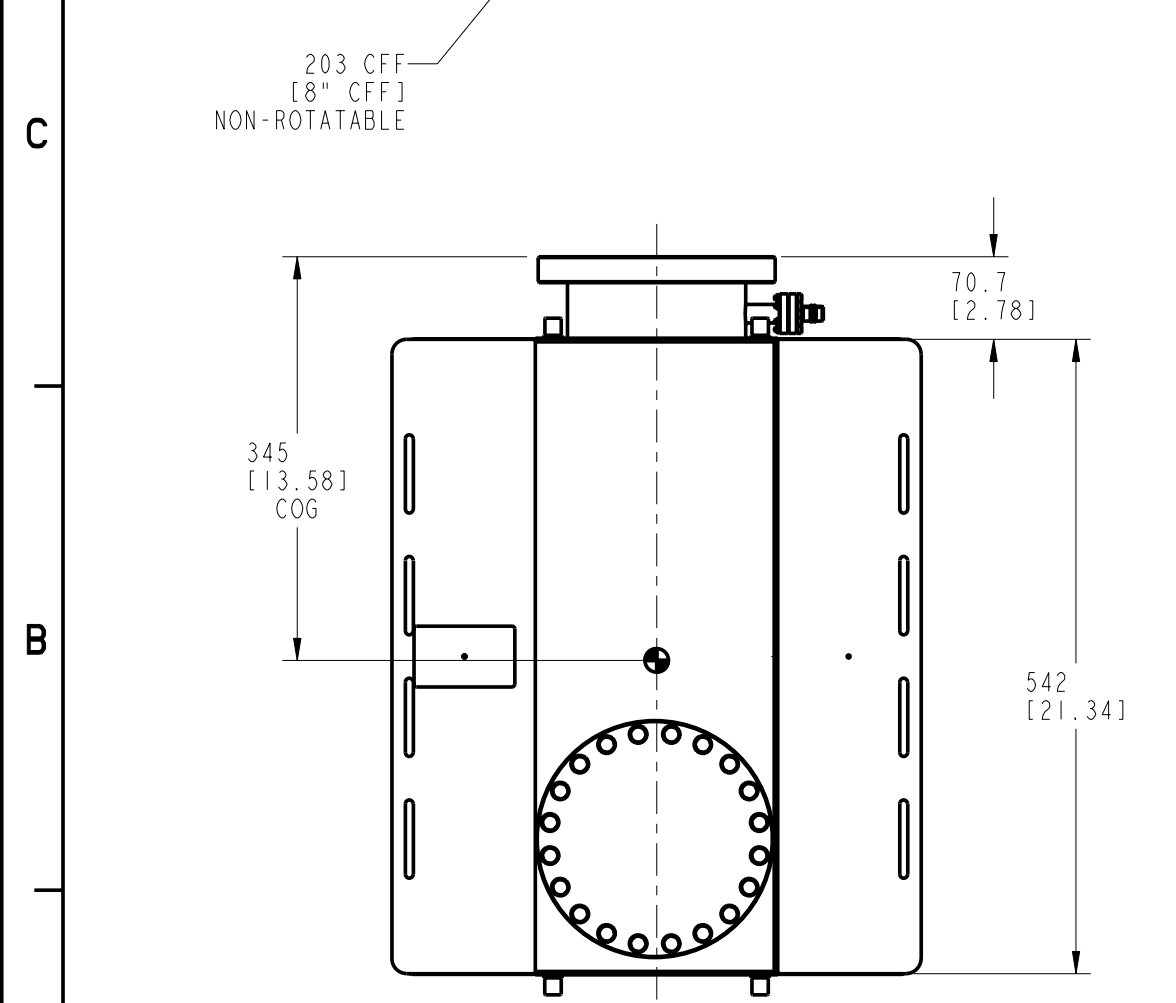
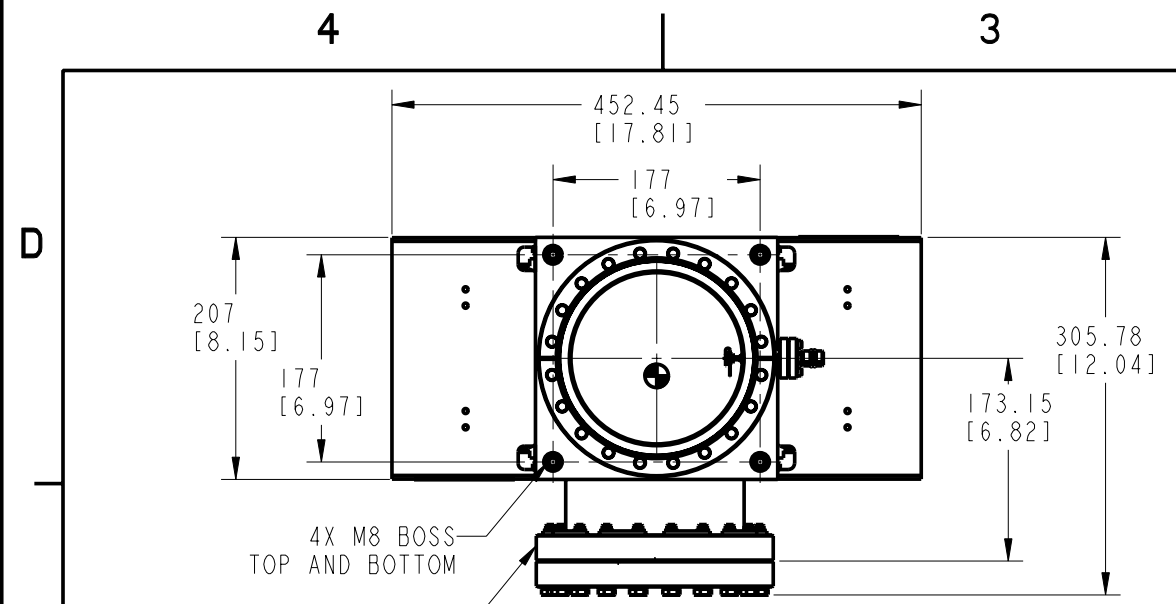
4

3

2

1

THIS DRAWING HAS BEEN GENERATED AND IS MAINTAINED BY PRO/ENGINEER CAD SYSTEM.



SCALE 0.250

ALL DIMENSIONS ARE FOR REFERENCE ONLY

<p>METRIC</p> <p>THIRD ANGLE PROJECTION</p>	<p>UNLESS OTHERWISE SPECIFIED DIMENSIONS ARE IN MILLIMETERS SURFACE ROUGHNESS IN MICROMETERS</p> <p>TOLERANCES: LINEAR ±0.13 HOLES ±0.13 ANGULAR (±) MACHINED 0.5° FORMED 1° CHAMFER 5° 1.6</p> <p>MACHINED SURFACES BREAK SHARP EDGES: R0.2 OR 45° 0.2 MAX. INTERNAL MACH. CORNER R.4 MAX.</p>	<p>DWN R GOLLA DATE 26-Sep-97</p> <p>CHK _____ DATE _____</p> <p>APPV _____ DATE _____</p> <p>RI R GOLLA</p>	<p>Gamma Vacuum 12912 Ventura Court, No. 28 * Shakopee, MN</p> <p>TITLE PUMP-ION, 500L/S, SIDE, TALL</p>
		<p>TOLERANCING AND DIMENSIONING PER ANSI Y14.5M-1982</p> <p>THIS DRAWING CONTAINS PROPRIETARY INFORMATION AND ANY REPRODUCTION, DISCLOSURE OR USE OF THIS DRAWING IS EXPRESSLY PROHIBITED EXCEPT AS GAMMA VACUUM MAY OTHERWISE AGREE TO IN WRITING.</p>	<p>SIZE C DRAWING NO. 500T-XX-8P REV. B</p> <p>SCALE 0.250 DETACHED <input type="checkbox"/> PLO <input type="checkbox"/> SPEC SHT 2 OF 2</p>

4

3

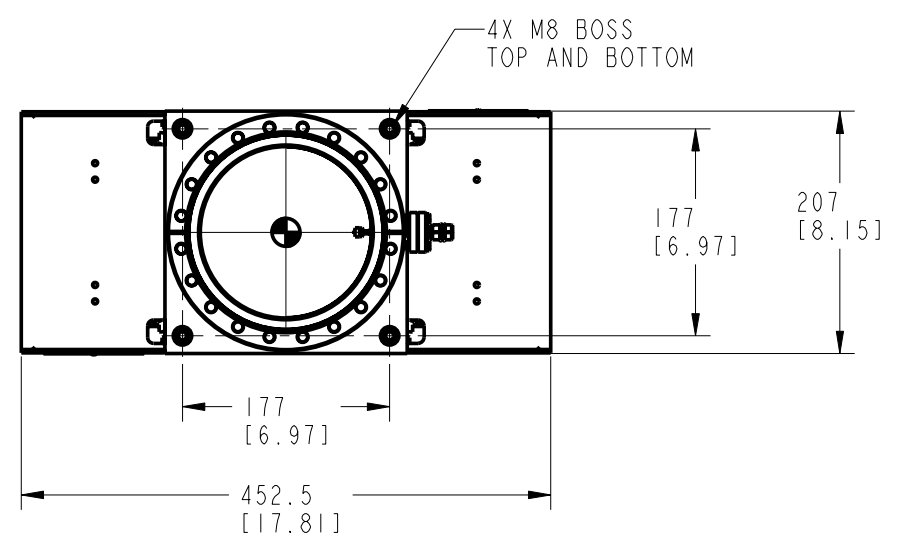
2

DWG. NO. 500T-XX-8D SH. 2 REV. A

THIS DRAWING HAS BEEN GENERATED AND IS MAINTAINED BY PRO/ENGINEER CAD SYSTEM.

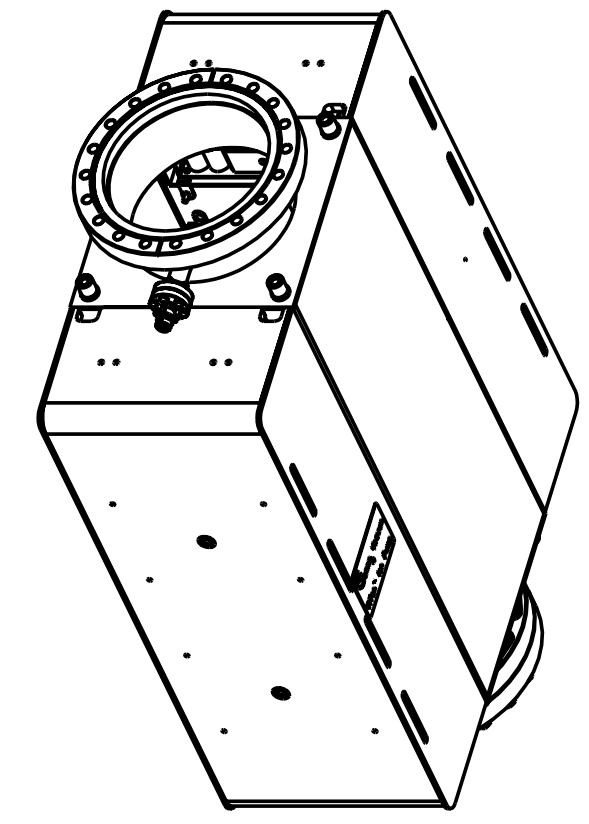
D

D



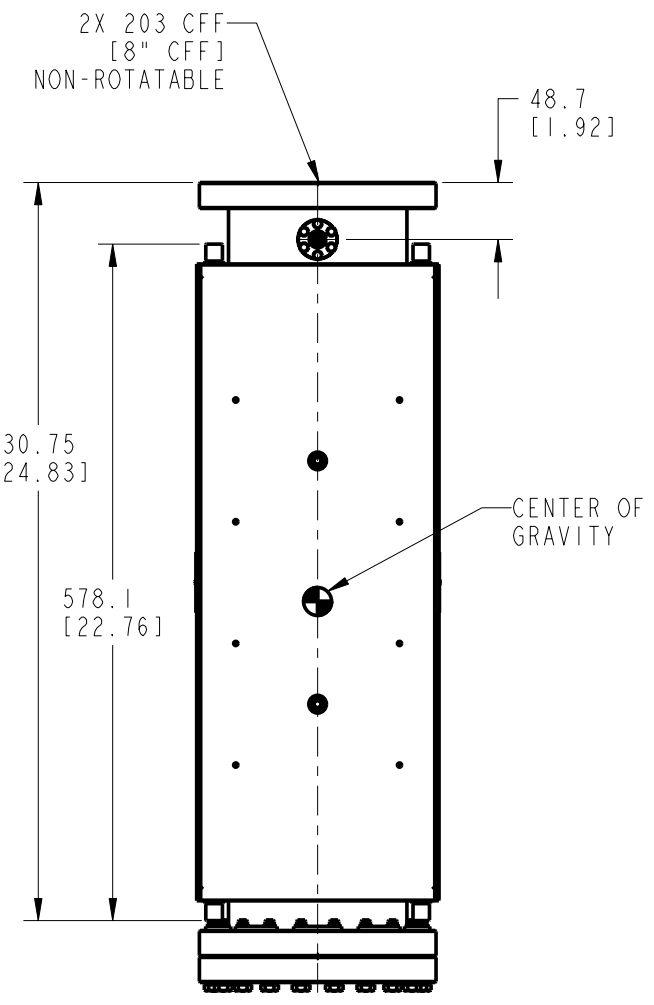
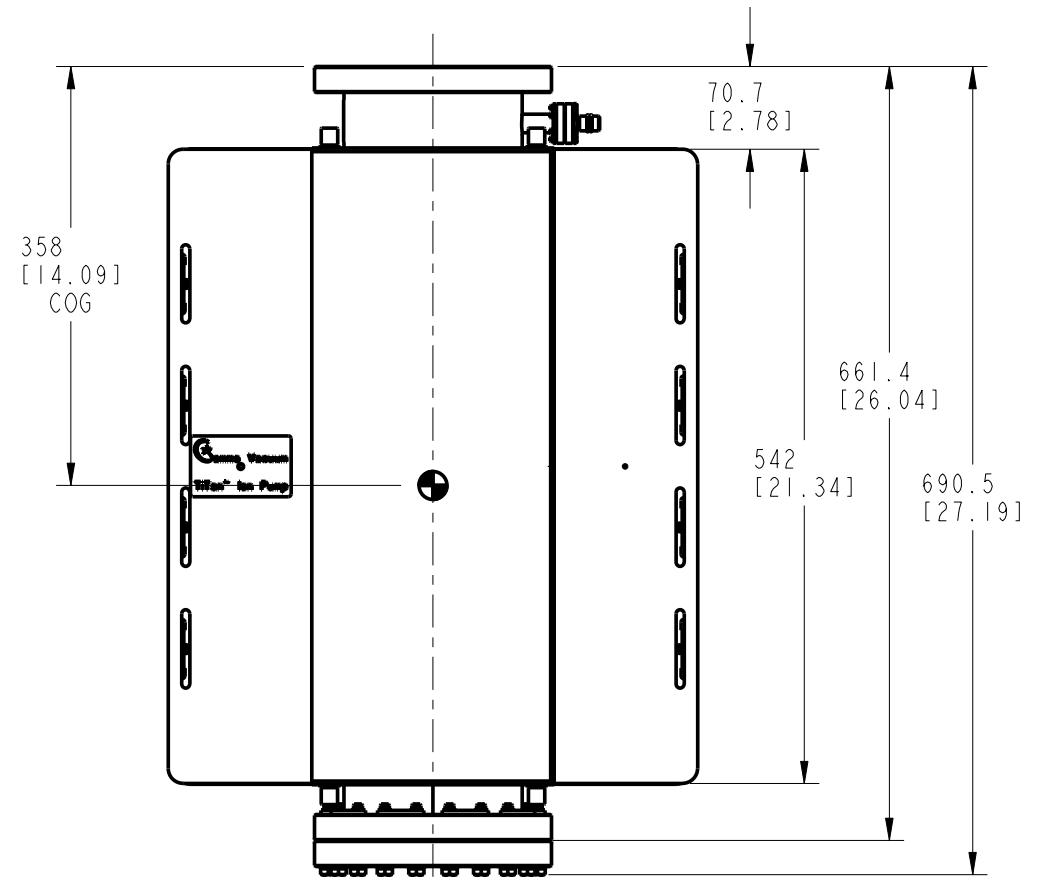
C

C



B

B



A

A

ALL DIMENSIONS ARE FOR REFERENCE ONLY

4

3

2

1

METRIC	UNLESS OTHERWISE SPECIFIED DIMENSIONS ARE IN MILLIMETERS SURFACE ROUGHNESS IN MICROMETERS	DWN R GOLLA	DATE 26-Sep-97	Gamma Vacuum 12912 Ventura Court, No. 28 * Shakopee, MN
	TOLERANCES: LINEAR ±0.13 HOLES ±0.13 ANGULAR (±)	CHK	DATE	
THIRD ANGLE PROJECTION	MACHINED 0.5° FORMED 1° CHAMFER 5°	APPV	DATE	TITLE PUMP-ION, 500L/S, DE, 8", TALL
	MACHINED SURFACES BREAK SHARP EDGES: R0.2 OR 45° 0.2 MAX. INTERNAL MACH CORNER R.4 MAX.	R1	R GOLLA	SIZE C
		TOLERANCING AND DIMENSIONING PER ANSI Y14.5M-1982		DRAWING NO. 500T-XX-8D
		THIS DRAWING CONTAINS PROPRIETARY INFORMATION AND ANY REPRODUCTION, DISCLOSURE OR USE OF THIS DRAWING IS EXPRESSLY PROHIBITED EXCEPT AS GAMMA VACUUM MAY OTHERWISE AGREE TO IN WRITING.		REV. A
		SCALE 0.250 DETACHED <input type="checkbox"/> PLSPEC <input type="checkbox"/>		SHT 2 OF 2