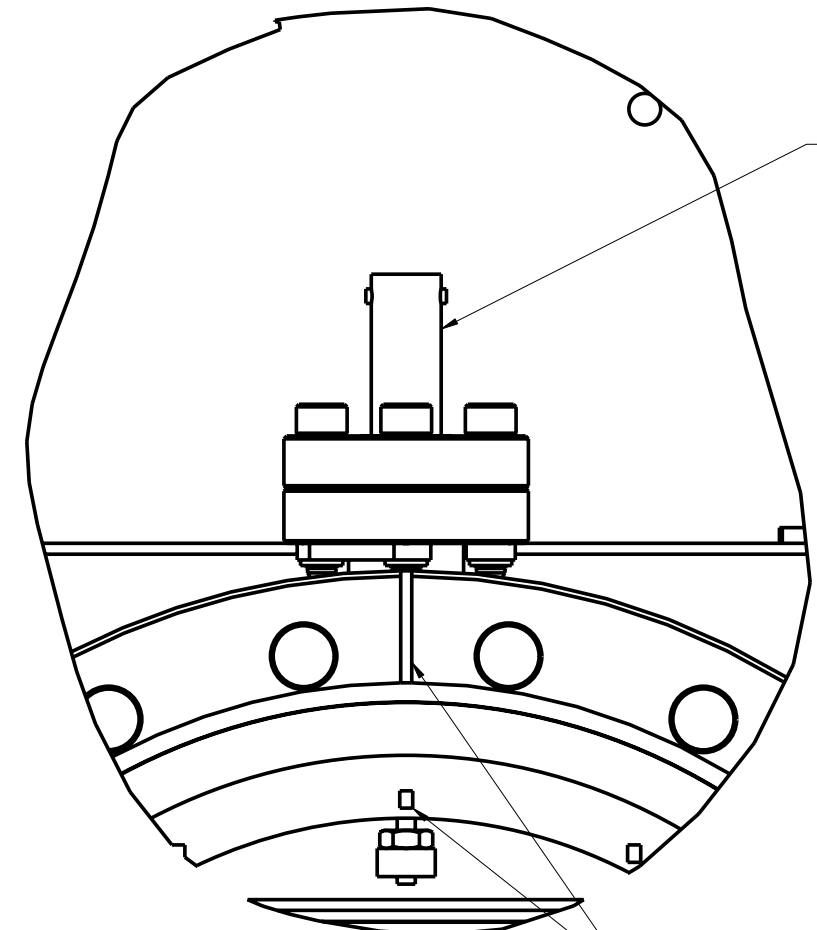
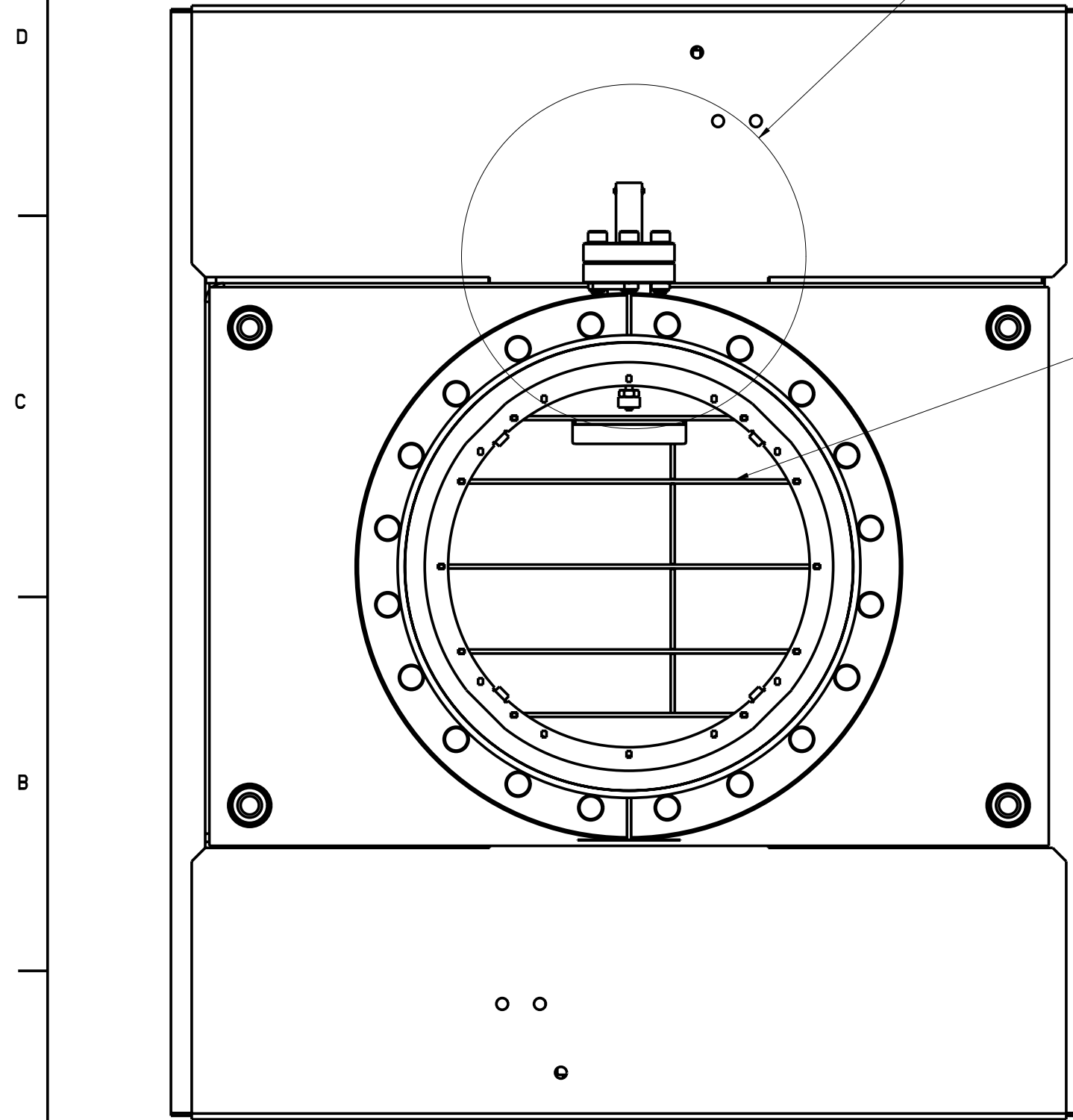


REVISIONS				
REV	CO #	DESCRIPTION	DATE	APPROVED
I	94.347	RELEASE	3-18-08	R GOLLA
A	94.347	RELEASE REV A	3-19-08	RDG
B	107.354	ADD 400L/600L	3-02-09	R GOLLA

THIS DRAWING HAS BEEN GENERATED AND IS MAINTAINED BY PRO/ENGINEER CAD SYSTEM.



DETAIL A
SCALE 2.000

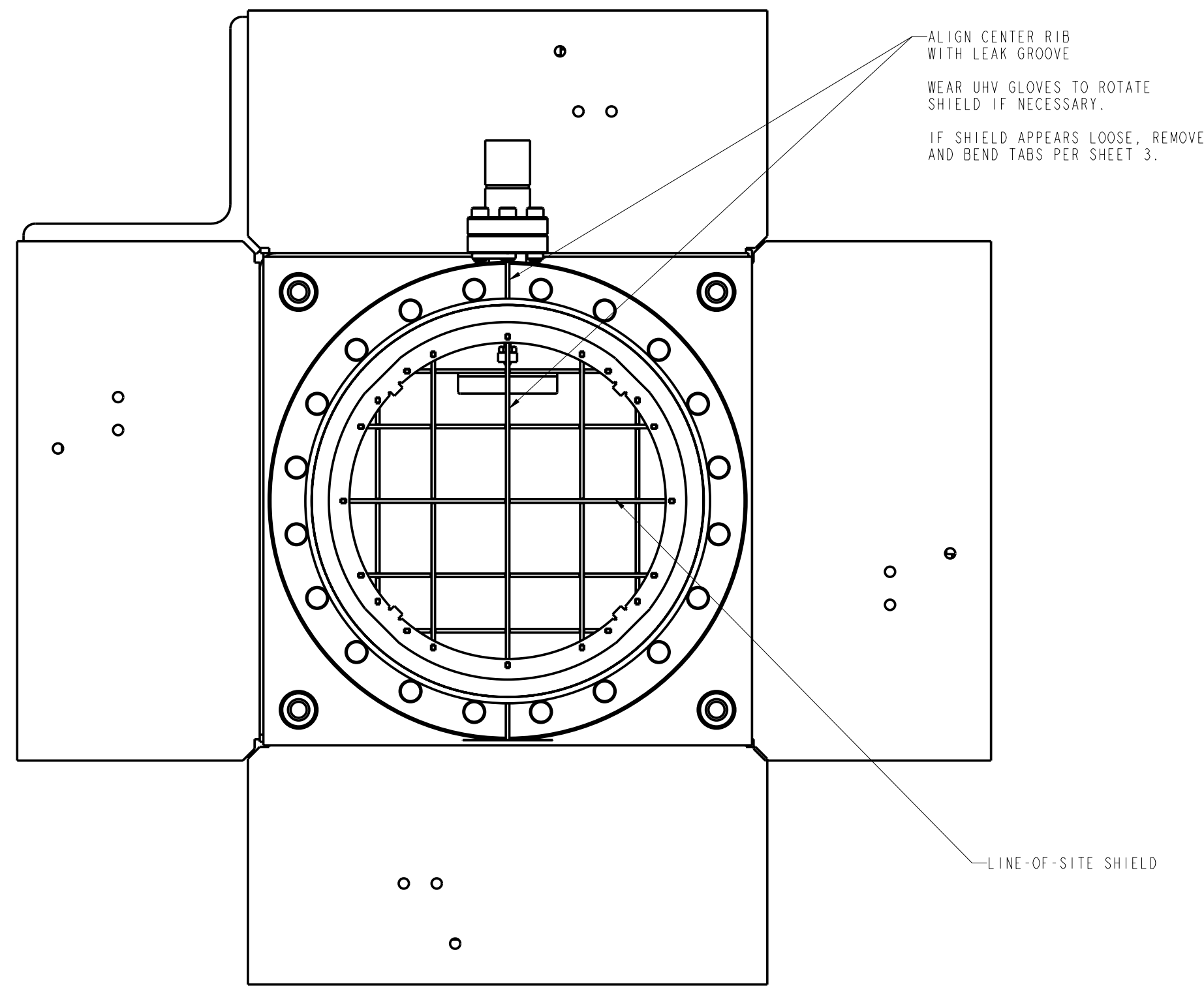
WEAR UHV GLOVES TO ROTATE SHIELD IF NECESSARY.
IF SHIELD APPEARS LOOSE, REMOVE AND BEND TABS PER SHEET 3.

200L/300L SHIELD INSTALLATION

NOTE- CHECK SHIELD ORIENTATION BEFORE INSTALLING ION PUMP.

METRIC THIRD ANGLE PROJECTION 	UNLESS OTHERWISE SPECIFIED: DIMENSIONS ARE IN MILLIMETERS SURFACE ROUGHNESS IN MICROMETERS TOLERANCES: LINEAR ±0.13 HOLES ±0.13 ANGULAR (±) MACHINED 0.5° FORMED 1° CHAMFER 5° MACHINED SURFACES 1.6 BREAK SHARP EDGES: R.2 OR 45° 0.2 MAX. INTERNAL MACH CORNER R.4 MAX.	CHK R GOLLA DATE 18-Mar-08 APPV RDG DATE 3-19-08 RT R GOLLA TOLERANCING AND DIMENSIONING PER ANSI Y14.5M - 1982 THIS DRAWING CONTAINS PROPRIETARY INFORMATION AND ANY REPRODUCTION, DISCLOSURE OR USE OF THIS DRAWING IS EXPRESSLY PROHIBITED EXCEPT AS AGREED TO IN WRITING.	12912 Ventura Court, No. 28 • Shakopee, MN Gamma Vacuum TITLE INSTALL PROCEDURE- LINE-O-SITE SHIELD DRAWING NO. 430067 SCALE 1.000 DETACHED <input type="checkbox"/> PL <input type="checkbox"/> SPEC SHT 1 OF 3
	DIMENSIONS ARE IN MILLIMETERS SURFACE ROUGHNESS IN MICROMETERS TOLERANCES: LINEAR ±0.13 HOLES ±0.13 ANGULAR (±) MACHINED 0.5° FORMED 1° CHAMFER 5° MACHINED SURFACES 1.6 BREAK SHARP EDGES: R.2 OR 45° 0.2 MAX. INTERNAL MACH CORNER R.4 MAX.	CHK R GOLLA DATE 18-Mar-08 APPV RDG DATE 3-19-08 RT R GOLLA TOLERANCING AND DIMENSIONING PER ANSI Y14.5M - 1982 THIS DRAWING CONTAINS PROPRIETARY INFORMATION AND ANY REPRODUCTION, DISCLOSURE OR USE OF THIS DRAWING IS EXPRESSLY PROHIBITED EXCEPT AS AGREED TO IN WRITING.	12912 Ventura Court, No. 28 • Shakopee, MN Gamma Vacuum TITLE INSTALL PROCEDURE- LINE-O-SITE SHIELD DRAWING NO. 430067 SCALE 1.000 DETACHED <input type="checkbox"/> PL <input type="checkbox"/> SPEC SHT 1 OF 3

THIS DRAWING HAS BEEN GENERATED AND IS MAINTAINED BY PRO/ENGINEER CAD SYSTEM.

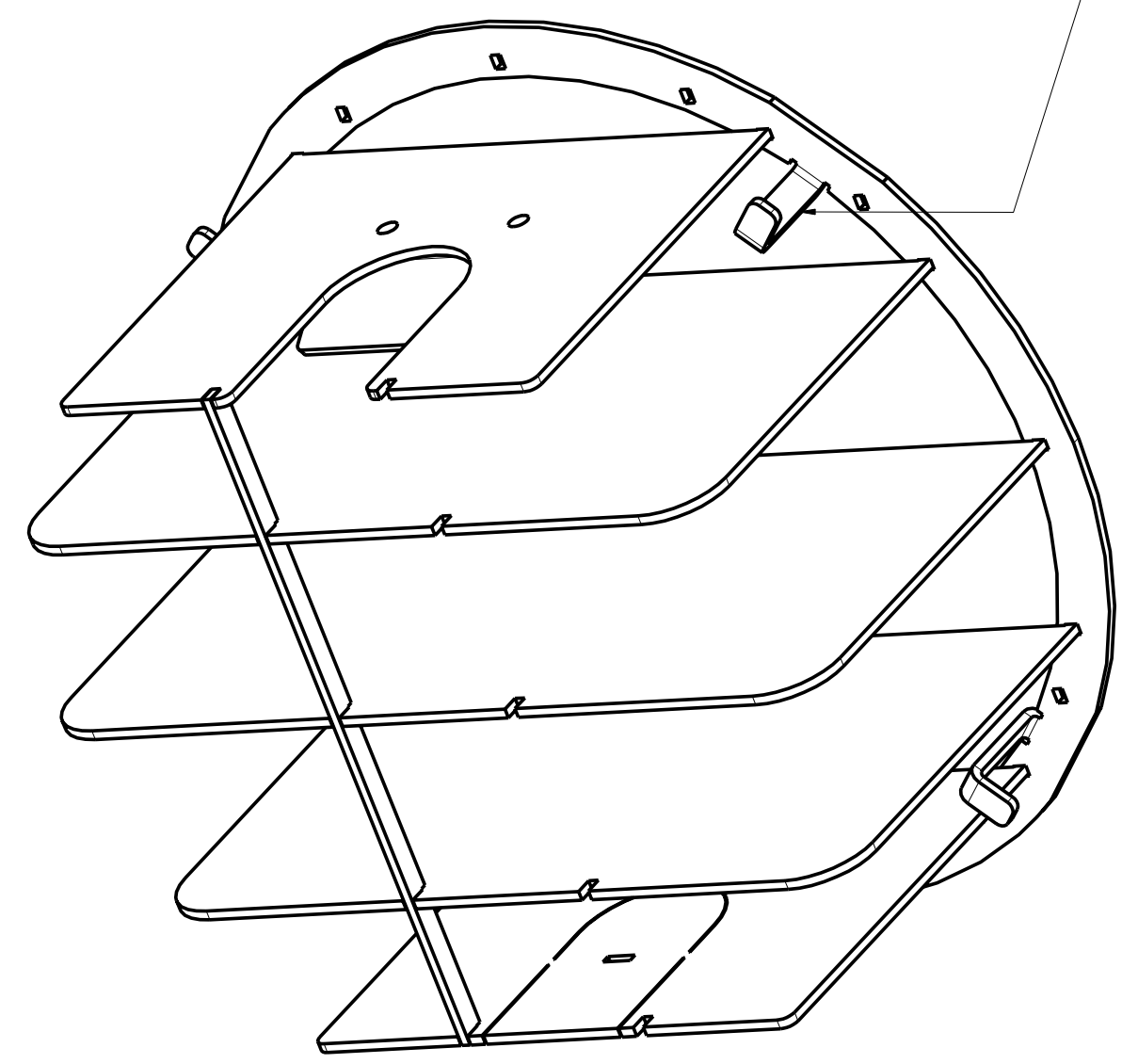


400L/600L SHIELD INSTALLATION
 NOTE- CHECK SHIELD ORIENTATION BEFORE INSTALLING ION PUMP.

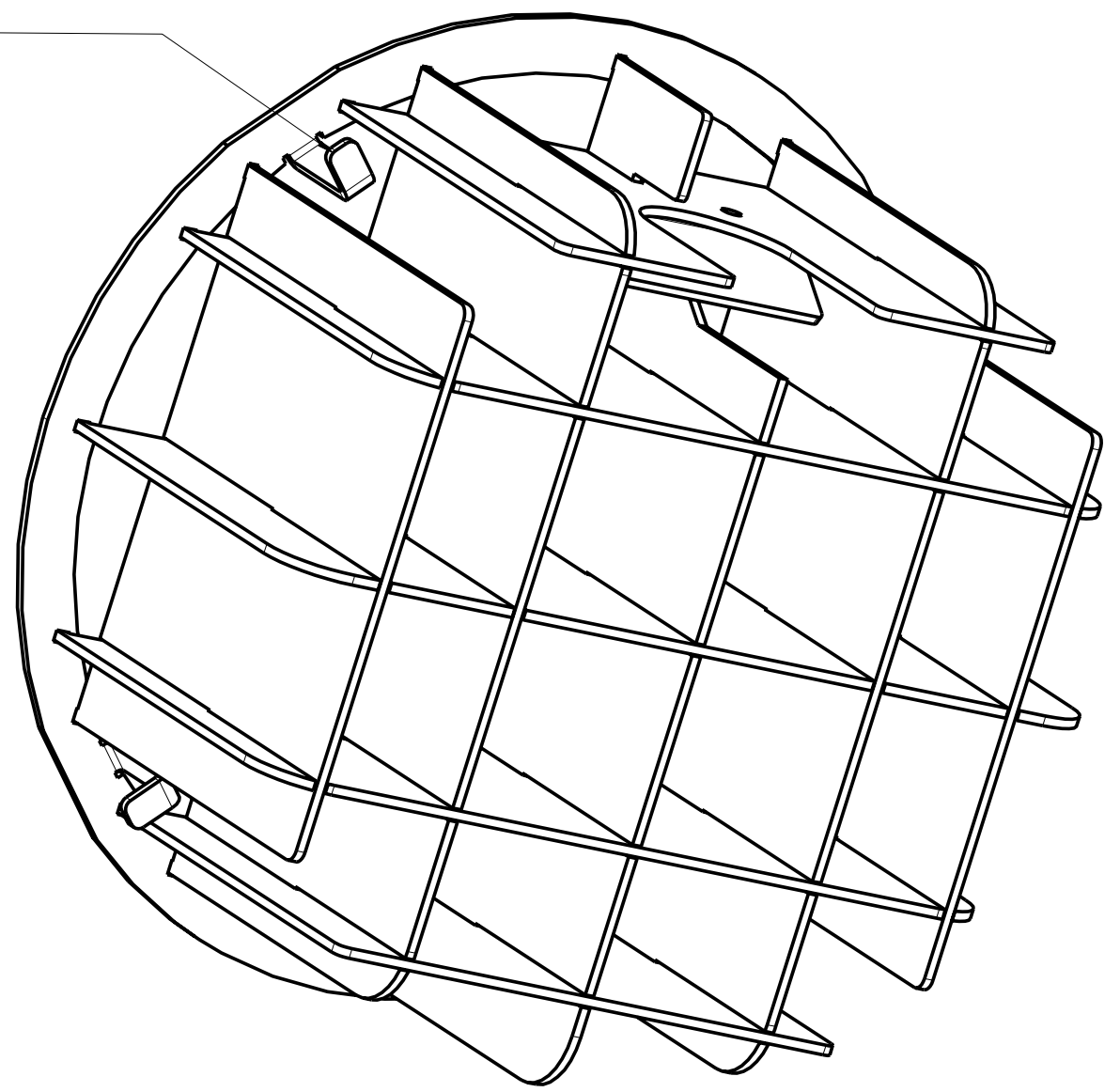
METRIC	UNLESS OTHERWISE SPECIFIED: DIMENSIONS ARE IN MILLIMETERS SURFACE ROUGHNESS IN MICROMETERS		DRW R GOLLA	DATE 02-Mar-09	Gamma Vacuum 12912 Ventura Court, No. 28 • Shakopee, MN
	TOLERANCES: LINEAR ±0.13 HOLES ±0.13 ANGULAR (±)		CHK	DATE	
THIRD ANGLE PROJECTION	MACHINED 0.5° FORMED 1° CHAMFER 5°		APPV R GOLLA	DATE 3-02-09	TITLE
	MACHINED SURFACES 1.6 BREAK SHARP EDGES: R. 2 OR 45° 0.2 MAX. INTERNAL MACH CORNER R. 4 MAX.		RT R GOLLA		INSTALL PROCEDURE- LINE-O-SITE SHIELD
	THIS DRAWING CONTAINS PROPRIETARY INFORMATION AND ANY REPRODUCTION, DISCLOSURE OR USE OF THIS DRAWING IS EXPRESSLY PROHIBITED EXCEPT AS AGREED TO IN WRITING.		TOLERANCING AND DIMENSIONING PER ANSI Y14.5M - 1982		SIZE DRAWING NO.
			SCALE 1.000 DETACHED <input type="checkbox"/> PL <input type="checkbox"/> SPEC		D 430067 REV. B
			SHT 2 OF 3		

THIS DRAWING HAS BEEN GENERATED AND IS MAINTAINED BY PRO/ENGINEER CAD SYSTEM.

FOR MORE SNUG FIT, BEND TABS SLIGHTLY OUTWARD (3 PLACES). DO NOT OVER-BEND. (WEAR UHV COMPATIBLE GLOVES.)
 RE-INSTALL SHIELD WITH ORIENTATION PER SHEET 1



200L/300L SHIELD



400L/600L SHIELD

METRIC	UNLESS OTHERWISE SPECIFIED: DIMENSIONS ARE IN MILLIMETERS SURFACE ROUGHNESS IN MICROMETERS	DRN R GOLLA	DATE 18-Mar-08	Gamma Vacuum 12912 Ventura Court, No. 28 • Shakopee, MN
	TOLERANCES: LINEAR ±0.13 HOLES ±0.13 ANGULAR (±)	CHK	DATE	
THIRD ANGLE PROJECTION	MACHINED 0.5° FORMED 1° CHAMFER 5°	APPVR GOLLA	DATE 3-02-09	TITLE INSTALL PROCEDURE- LINE-O-SITE SHIELD
	MACHINED SURFACES 1.6 BREAK SHARP EDGES: R. 2 OR 45° 0.2 MAX. INTERNAL MACH CORNER R. 4 MAX.	RT R GOLLA	TOLERANCING AND DIMENSIONING PER ANSI Y14.5M - 1982	SIZE DRAWING NO. D 430067
		THIS DRAWING CONTAINS PROPRIETARY INFORMATION AND ANY REPRODUCTION, DISCLOSURE OR USE OF THIS DRAWING IS EXPRESSLY PROHIBITED EXCEPT AS AGREED TO IN WRITING.		REV. B
		SCALE 1.000	DETACHED <input type="checkbox"/> PL <input type="checkbox"/> SPEC <input type="checkbox"/>	SHT 3 OF 3