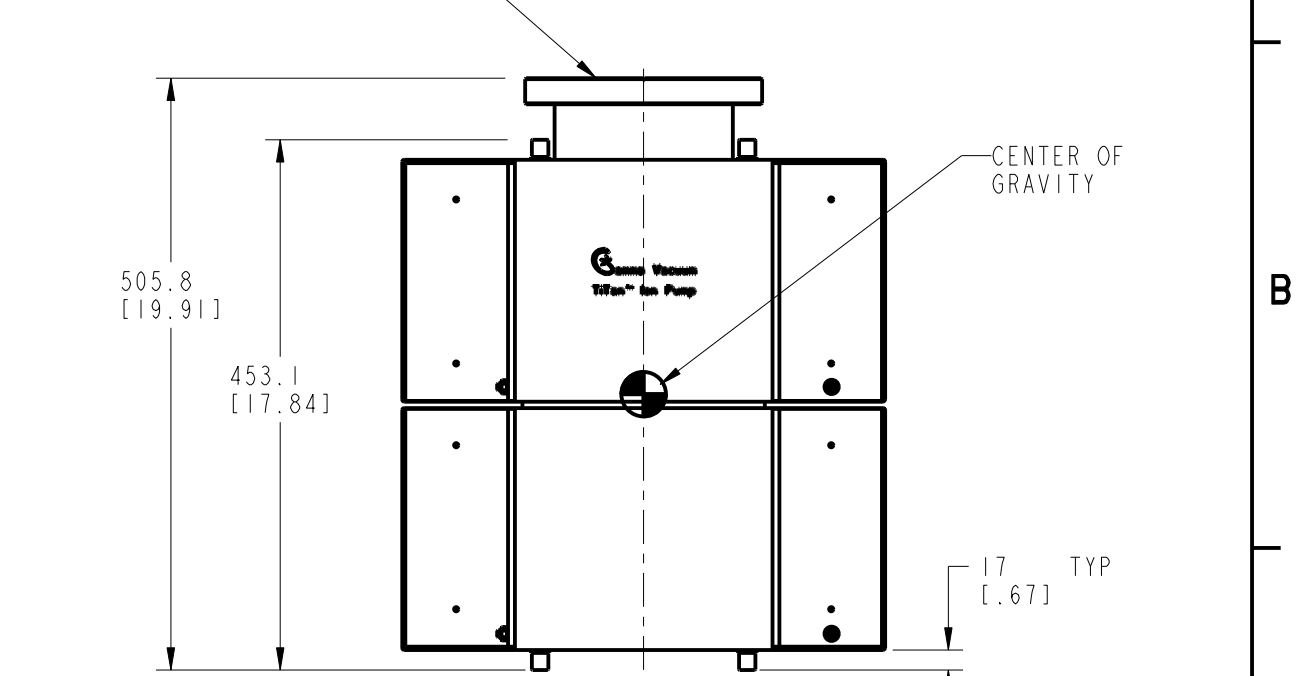
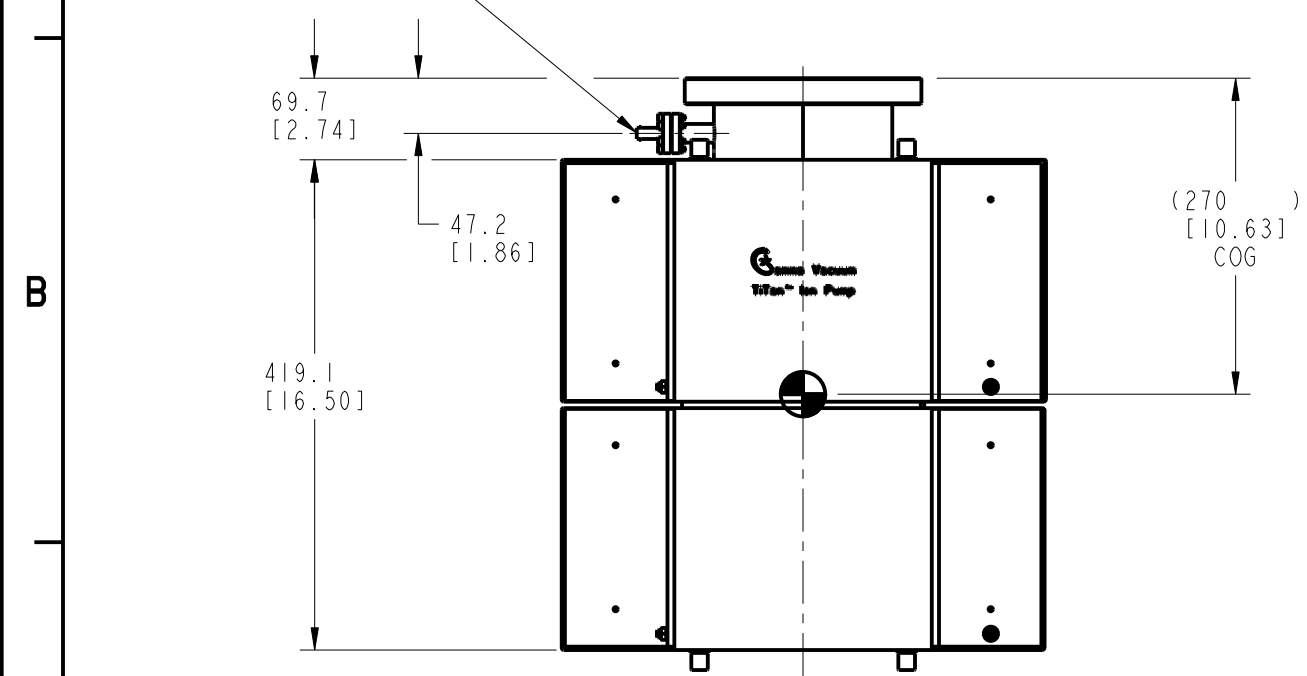
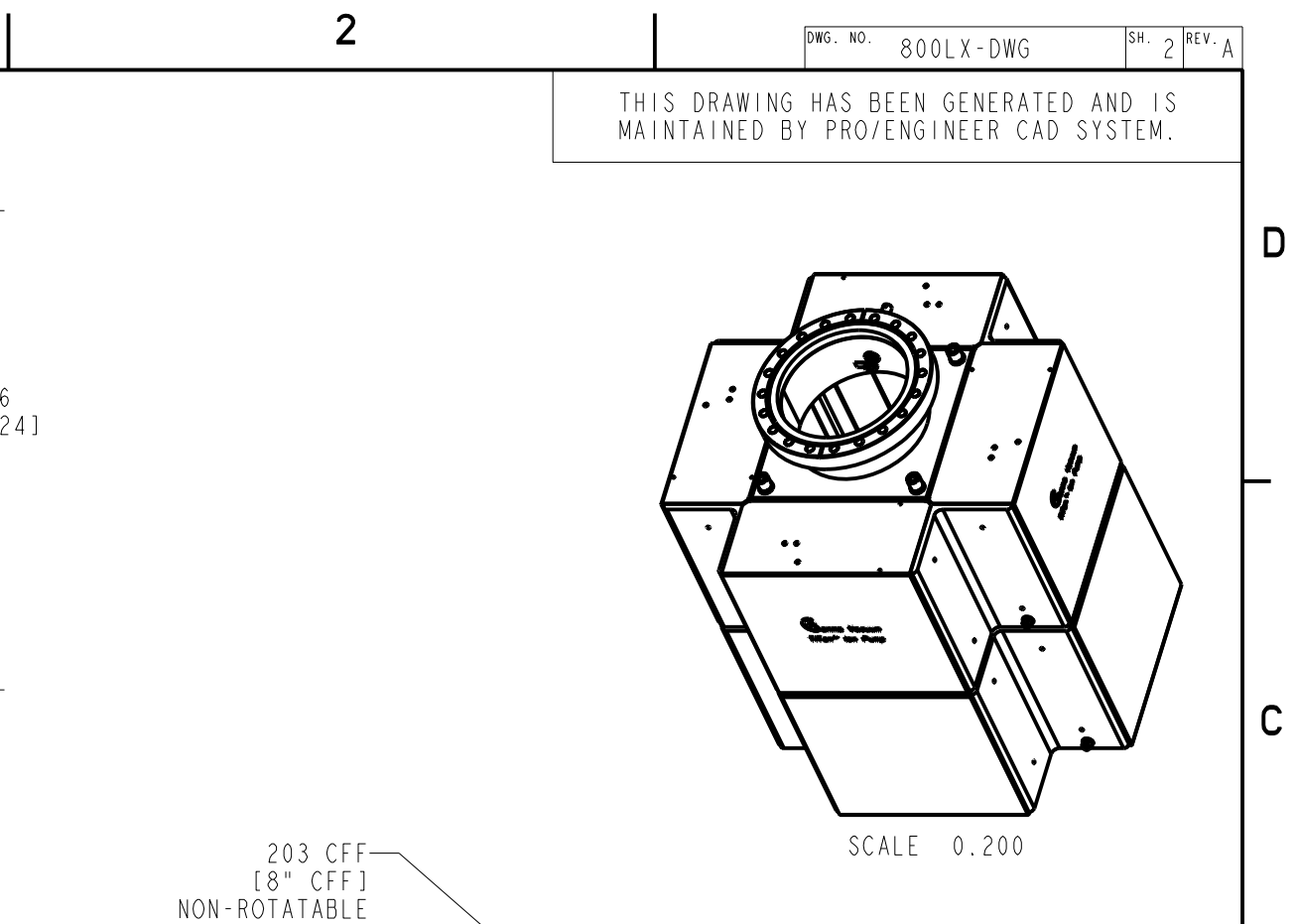
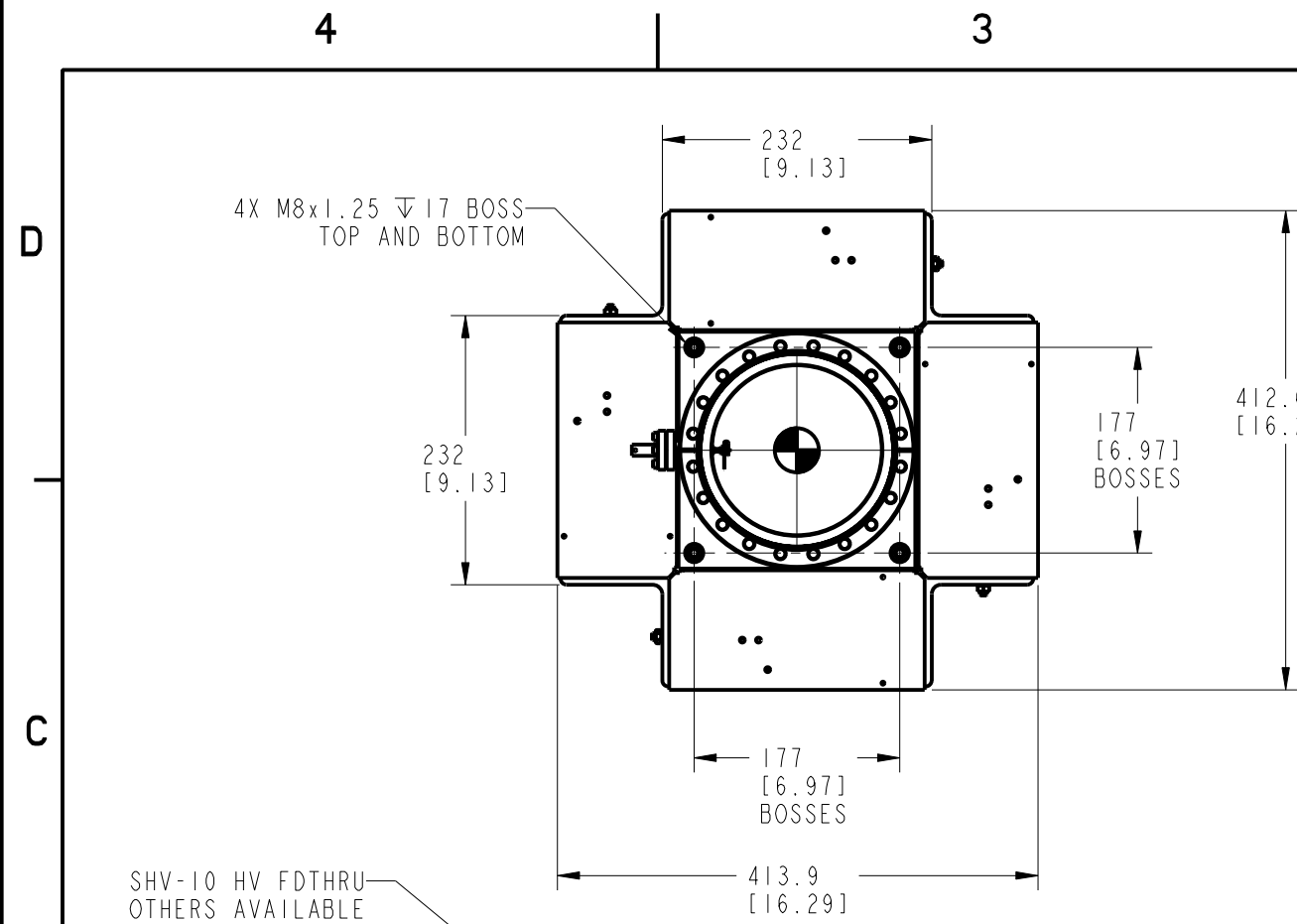


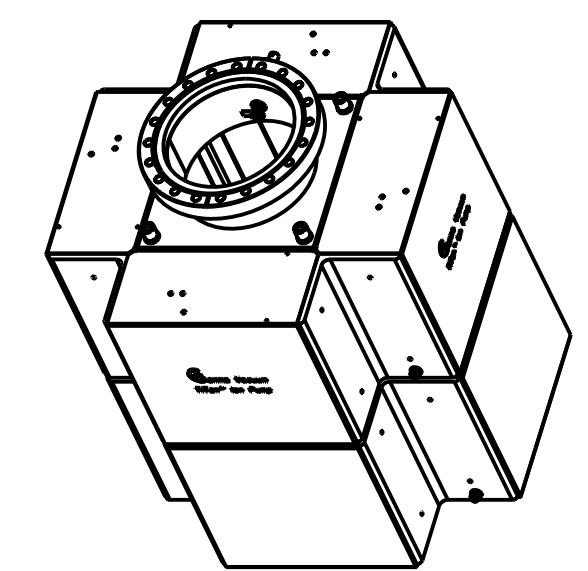
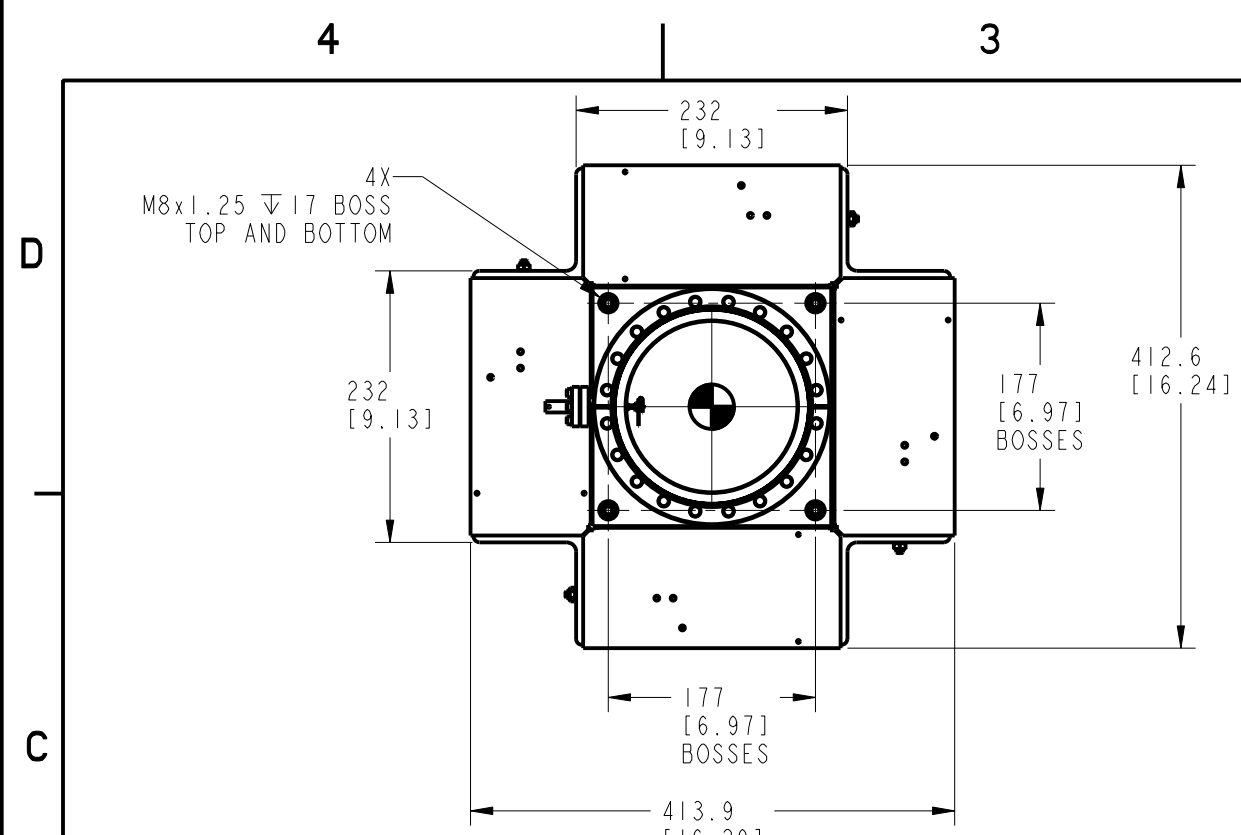
THIS DRAWING HAS BEEN GENERATED AND IS MAINTAINED BY PRO/ENGINEER CAD SYSTEM.



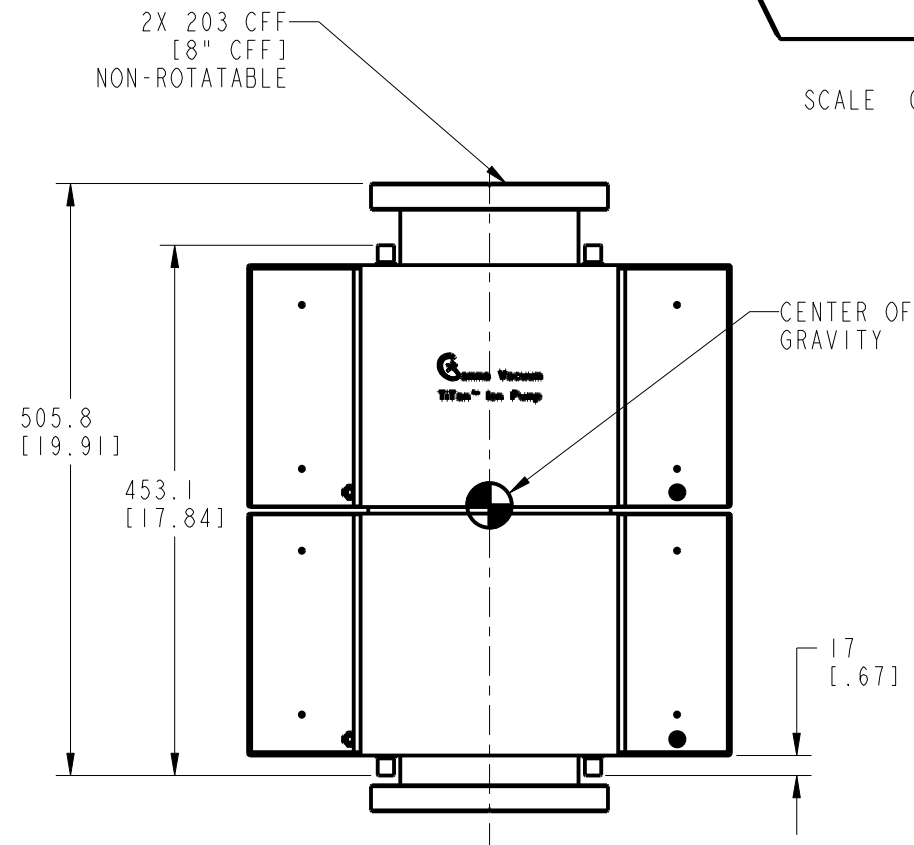
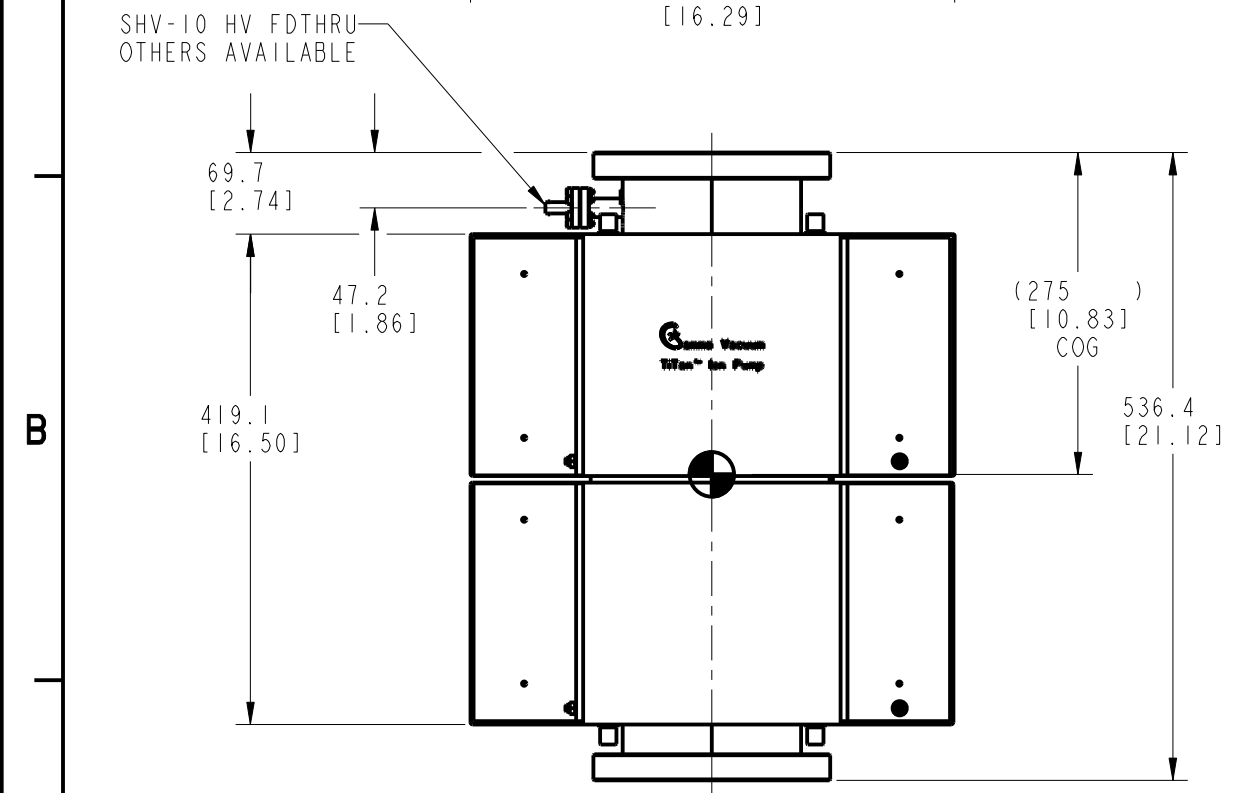
800LX-8S
ALL DIMENSIONS ARE FOR REFERENCE ONLY

METRIC THIRD ANGLE PROJECTION 	UNLESS OTHERWISE SPECIFIED DIMENSIONS ARE IN MILLIMETERS SURFACE ROUGHNESS IN MICROMETERS TOLERANCES: LINEAR ±0.13 HOLES ±0.13 ANGULAR (±) MACHINED 0.5° FORMED 1° CHAMFER 5° 1.6 MACHINED SURFACES BREAK SHARP EDGES: R0.2 OR 45° 0.2 MAX. INTERNAL MACH CORNER R.4 MAX.	DWN R GOLLA DATE 5-21-13 CHR DATE APPY R GOLLA DATE 5-21-13 RI R GOLLA TOLERANCING AND DIMENSIONING PER ANSI Y14.5M-1982 THIS DRAWING CONTAINS PROPRIETARY INFORMATION AND ANY REPRODUCTION, DISCLOSURE OR USE OF THIS DRAWING IS EXPRESSLY PROHIBITED EXCEPT AS AGREED TO IN WRITING.	Gamma Vacuum 2915 133rd Street W., Shakopee, MN TITLE 800LX-XX-10X-SC-N-N
		SIZE C DRAWING NO. 800LX-DWG REV. A SCALE 0.250 DETACHED <input type="checkbox"/> PLO <input type="checkbox"/> SPEC SHT 2 OF 5	

THIS DRAWING HAS BEEN GENERATED AND IS MAINTAINED BY PRO/ENGINEER CAD SYSTEM.



SCALE 0.200



800LX-8D
ALL DIMENSIONS ARE FOR REFERENCE ONLY

METRIC THIRD ANGLE PROJECTION 	<small>UNLESS OTHERWISE SPECIFIED</small> <small>DIMENSIONS ARE IN MILLIMETERS</small> <small>SURFACE ROUGHNESS IN MICROMETERS</small> <small>TOLERANCES:</small> <small>LINEAR ±0.13</small> <small>HOLES ±0.13</small> <small>ANGULAR (±)</small> <small>MACHINED 0.5°</small> <small>FORMED 1°</small> <small>CHAMFER 5° 1.6</small> <small>MACHINED SURFACES</small> <small>BREAK SHARP EDGES:</small> <small>R0.2 OR 45° 0.2 MAX.</small> <small>INTERNAL MACH CORNER R.4 MAX.</small>	<small>DWN</small> R GOLLA <small>DATE</small> 5-21-13	Gamma Vacuum 2915 133rd Street W., Shakopee, MN
		<small>APPY</small> R GOLLA <small>DATE</small> 5-21-13	<small>TITLE</small> 800LX-XX-10X-SC-N-N
<small>TOLERANCING AND DIMENSIONING PER ANSI Y14.5M-1982</small>	<small>THIS DRAWING CONTAINS PROPRIETARY INFORMATION AND ANY REPRODUCTION, DISCLOSURE OR USE OF THIS DRAWING IS EXPRESSLY PROHIBITED EXCEPT AS AGREED TO IN WRITING.</small>	<small>SIZE</small> C <small>DRAWING NO.</small> 800LX-DWG <small>SCALE</small> 1.000	<small>REV.</small> A <small>SHT</small> 3 OF 5

4

3

2

DWG. NO. 800LX-DWG SH. 4 REV. A

THIS DRAWING HAS BEEN GENERATED AND IS MAINTAINED BY PRO/ENGINEER CAD SYSTEM.

D

D

C

C

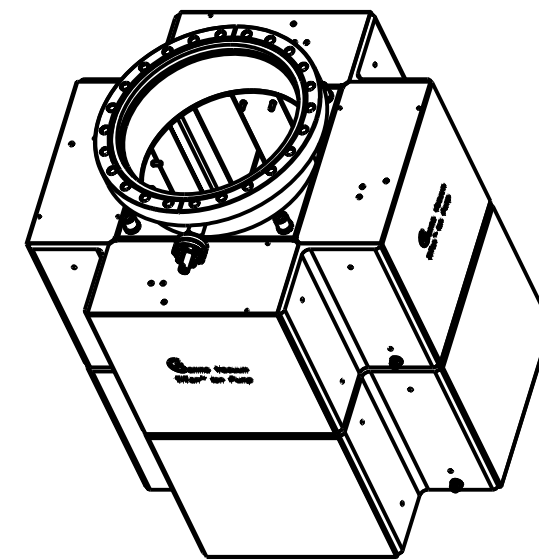
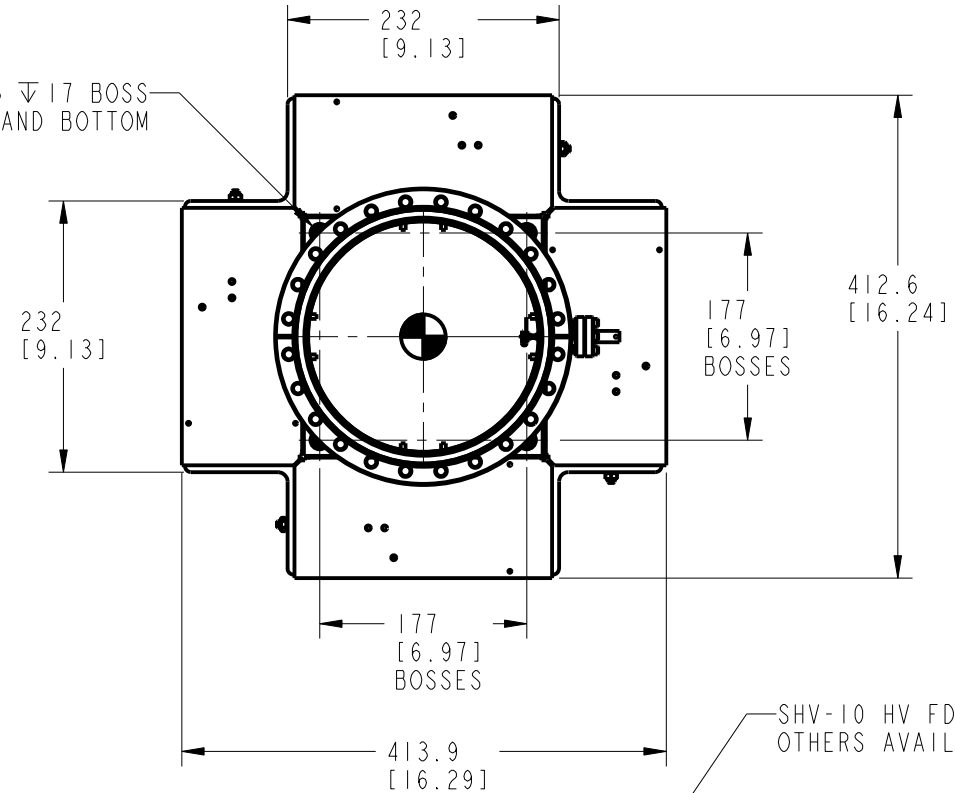
B

B

A

A

4X M8x1.25 ∇ 17 BOSS
TOP AND BOTTOM

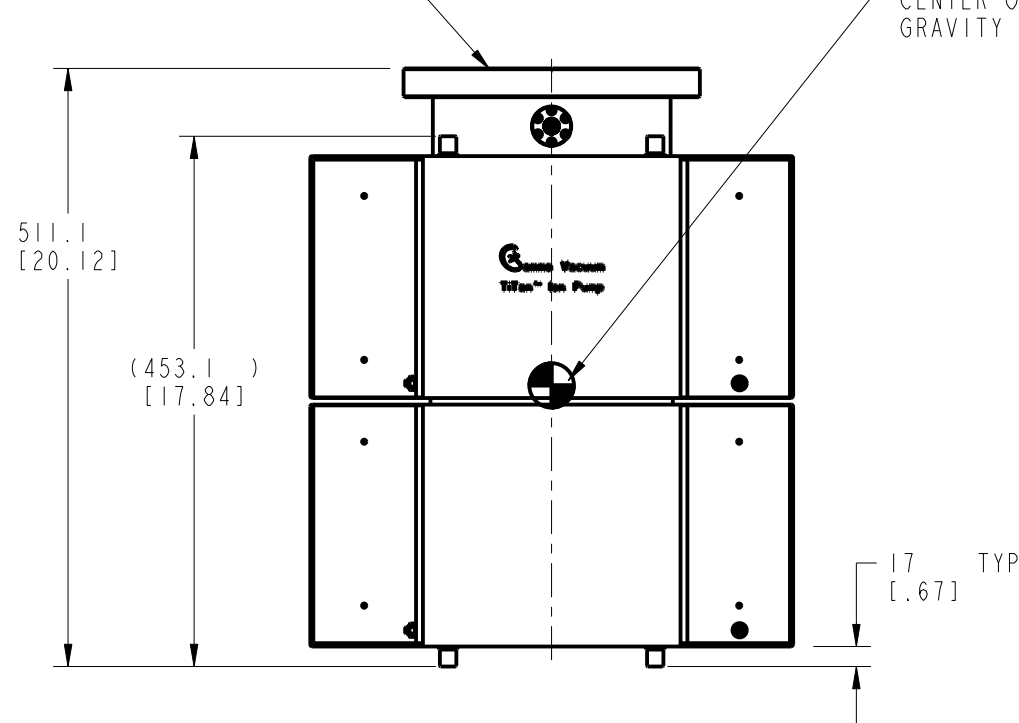
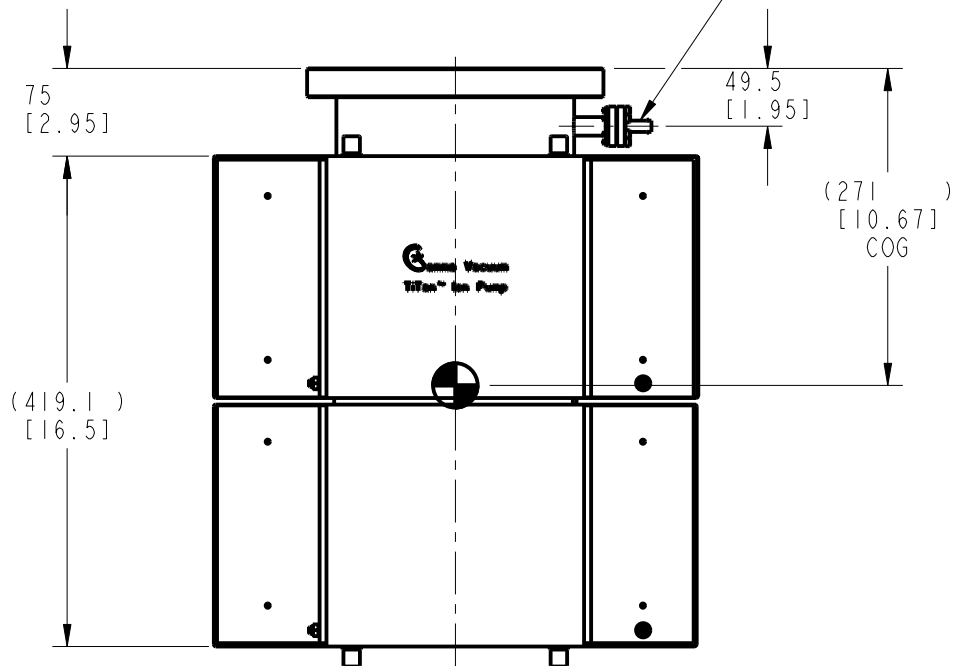


SCALE 0.200

SHV-10 HV FDTHRU
OTHERS AVAILABLE

254 CFF
[10" CFF]
NON-ROTATABLE

CENTER OF GRAVITY



800LX-10S

ALL DIMENSIONS ARE FOR REFERENCE ONLY

METRIC THIRD ANGLE PROJECTION 	UNLESS OTHERWISE SPECIFIED DIMENSIONS ARE IN MILLIMETERS SURFACE ROUGHNESS IN MICROMETERS TOLERANCES: LINEAR ± 0.13 HOLES ± 0.13 ANGULAR (\pm) MACHINED 0.5° FORMED 1° CHAMFER 5° 1.6 MACHINED SURFACES BREAK SHARP EDGES: R0.2 OR 45° 0.2 MAX. INTERNAL MACH. CORNER R.4 MAX.	DWN R GOLLA DATE 5-21-13 CHR DATE APPY R GOLLA DATE 5-21-13 RI TOLERANCING AND DIMENSIONING PER ANSI Y14.5M-1982 THIS DRAWING CONTAINS PROPRIETARY INFORMATION AND ANY REPRODUCTION, DISCLOSURE OR USE OF THIS DRAWING IS EXPRESSLY PROHIBITED EXCEPT AS GAMMA VACUUM MAY OTHERWISE AGREE TO IN WRITING.	Gamma Vacuum 2915 133rd Street W., Shakopee, MN TITLE 800LX-XX-10X-SC-N-N SIZE C DRAWING NO. 800LX-DWG REV. A SCALE 1.000 DETACHED <input type="checkbox"/> PLO <input type="checkbox"/> SPEC SHT 4 OF 5
	800LX-10S ALL DIMENSIONS ARE FOR REFERENCE ONLY		

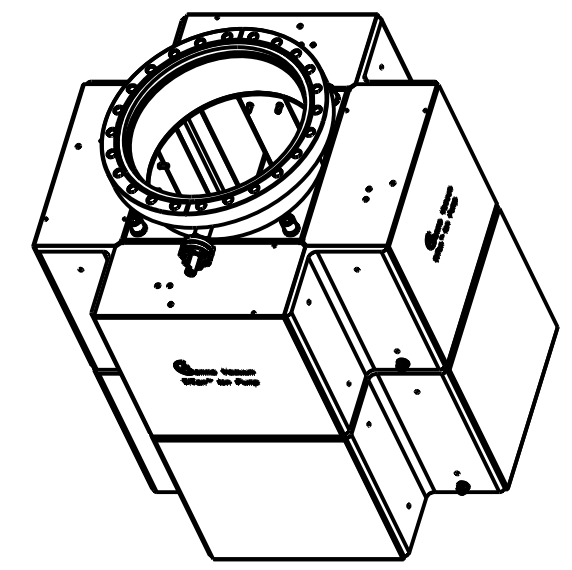
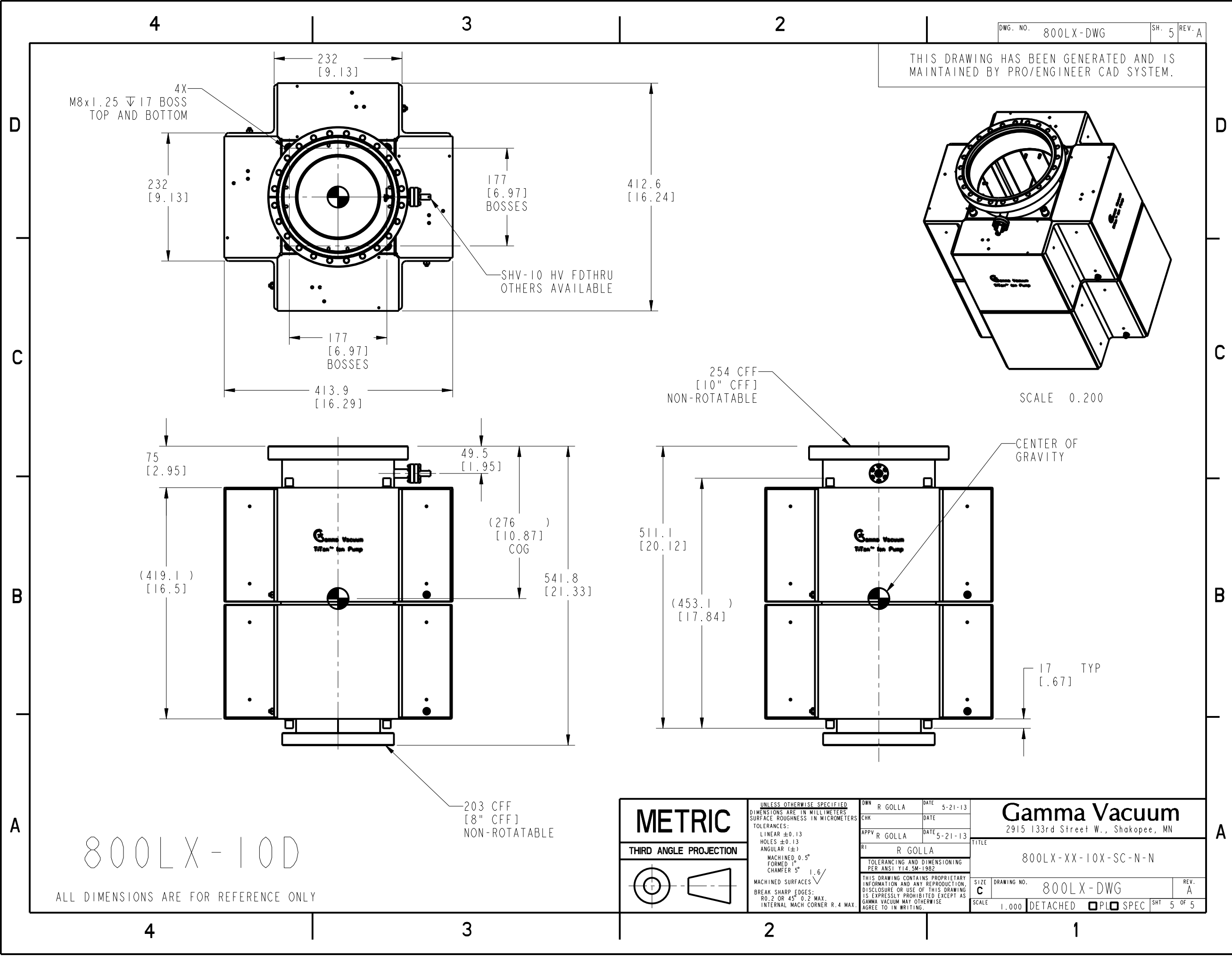
4

3

2

1

THIS DRAWING HAS BEEN GENERATED AND IS MAINTAINED BY PRO/ENGINEER CAD SYSTEM.



METRIC THIRD ANGLE PROJECTION 	UNLESS OTHERWISE SPECIFIED DIMENSIONS ARE IN MILLIMETERS SURFACE ROUGHNESS IN MICROMETERS TOLERANCES: LINEAR ± 0.13 HOLES ± 0.13 ANGULAR (\pm) MACHINED 0.5° FORMED 1° CHAMFER 5° 1.6 MACHINED SURFACES BREAK SHARP EDGES: R0.2 OR 45° 0.2 MAX. INTERNAL MACH CORNER R.4 MAX.	DWN R GOLLA DATE 5-21-13 CHR DATE APPV R GOLLA DATE 5-21-13 RI R GOLLA TOLERANCING AND DIMENSIONING PER ANSI Y14.5M-1982 THIS DRAWING CONTAINS PROPRIETARY INFORMATION AND ANY REPRODUCTION, DISCLOSURE OR USE OF THIS DRAWING IS EXPRESSLY PROHIBITED EXCEPT AS GAMMA VACUUM MAY OTHERWISE AGREE TO IN WRITING.	Gamma Vacuum 2915 133rd Street W., Shakopee, MN TITLE 800LX-XX-10X-SC-N-N SIZE C DRAWING NO. 800LX-DWG REV. A SCALE 1.000 DETACHED <input type="checkbox"/> PLO SPEC SHT 5 OF 5
---	--	---	---