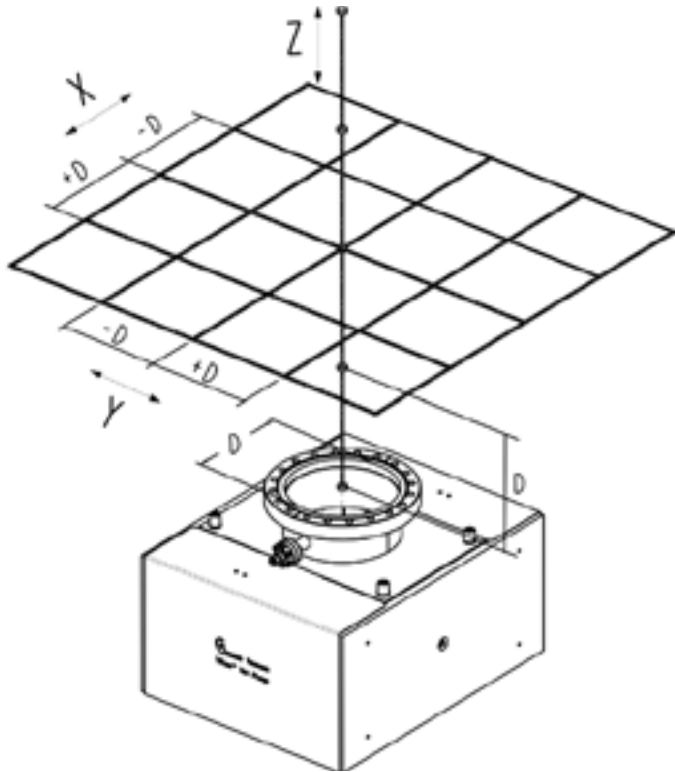


Titan 3S



*Diagram for representation only and may not mimic pump style



Ion Pump Magnetic Field Data
 Ion Pump Style*: 3S (Z from magnet center)
 Flange: 1.33" CFF, D: 1",
 Data Units: Gauss

		Z = 0						
		-6D	-4D	-2D	X 0	2D	4D	6D
Y	-6D				0.374			
	-4D				0.509			
	-2D				1.550			
	0	0.583	1.157	11.542		12.347	1.187	0.509
	2D				1.421			
	4D				0.707			
	6D				0.447			

		Z = D						
		-6D	-4D	-2D	X 0	2D	4D	6D
Y	-6D				<0.500			
	-4D				0.538			
	-2D				1.319			
	0	<0.500	1.272	3.228	4.424	3.602	1.490	<0.500
	2D				1.520			
	4D				0.541			
	6D				<0.500			

		Z = 2D						
		-6D	-4D	-2D	X 0	2D	4D	6D
Y	-6D							
	-4D							
	-2D							
	0				1.615			
	2D							
	4D							
	6D							

		Z = 3D						
		-6D	-4D	-2D	X 0	2D	4D	6D
Y	-6D							
	-4D							
	-2D							
	0				0.503			
	2D							
	4D							
	6D							