

4

3

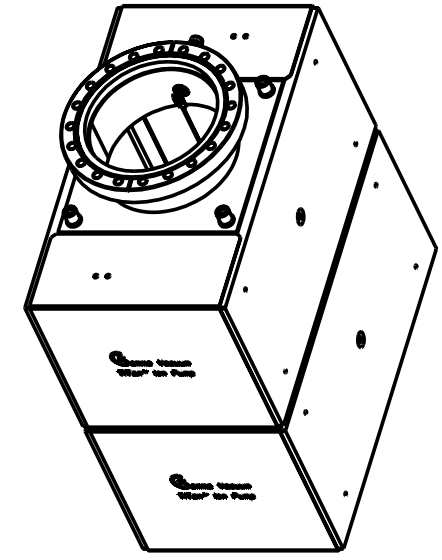
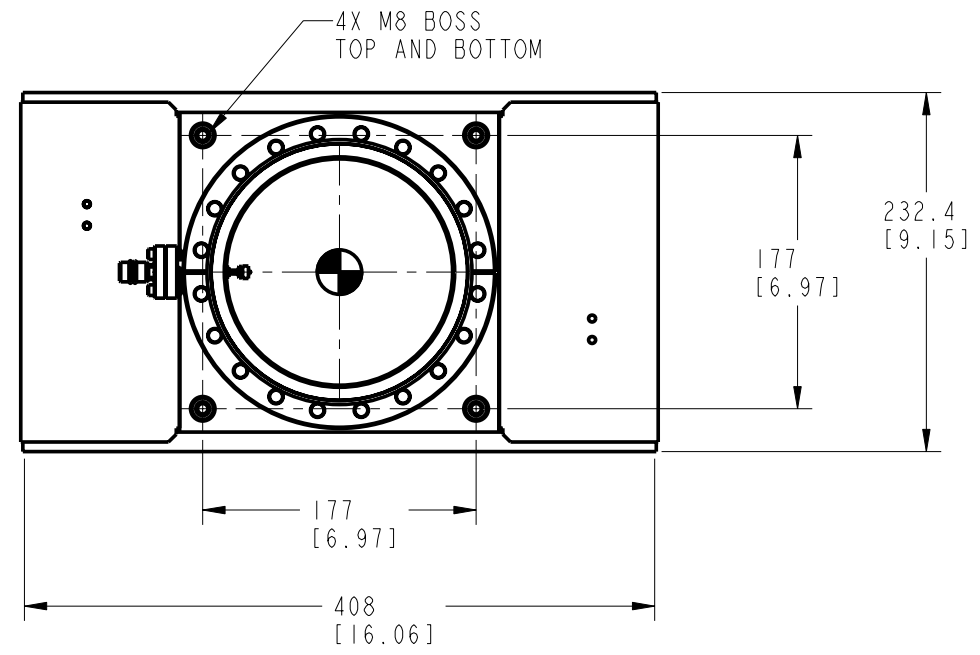
2

DWG. NO. 400LX-XX-8S SH. 2 REV. A

THIS DRAWING HAS BEEN GENERATED AND IS MAINTAINED BY PRO/ENGINEER CAD SYSTEM.

D

D



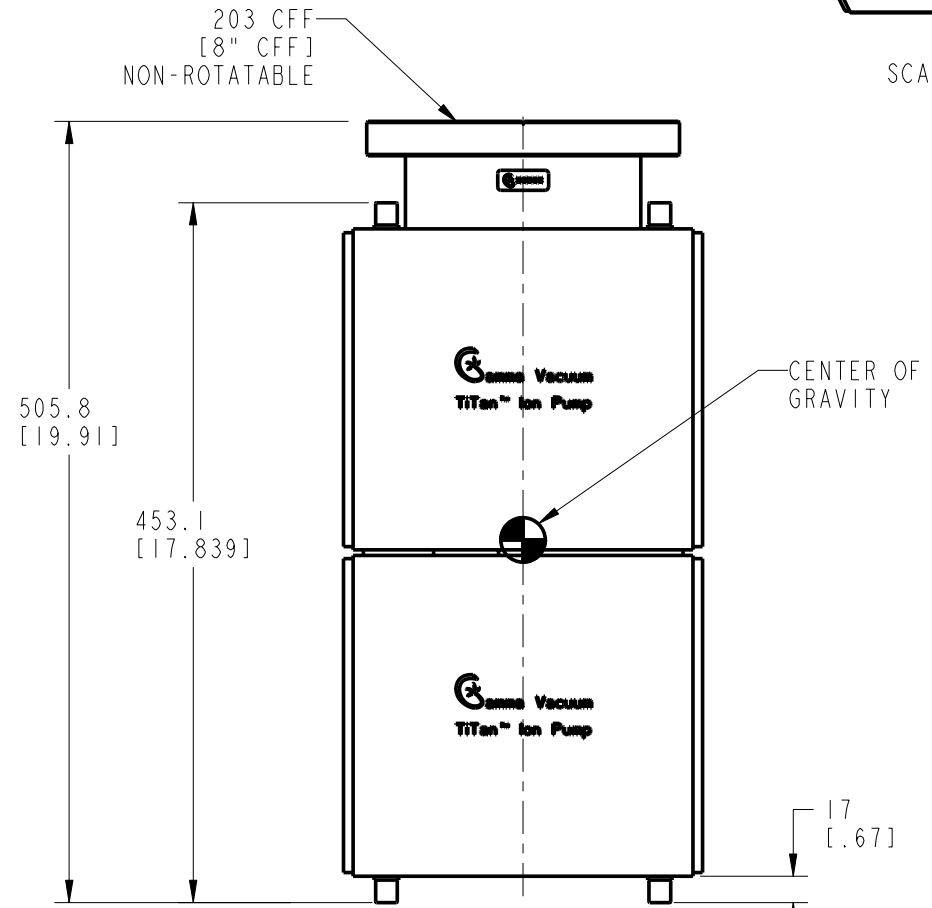
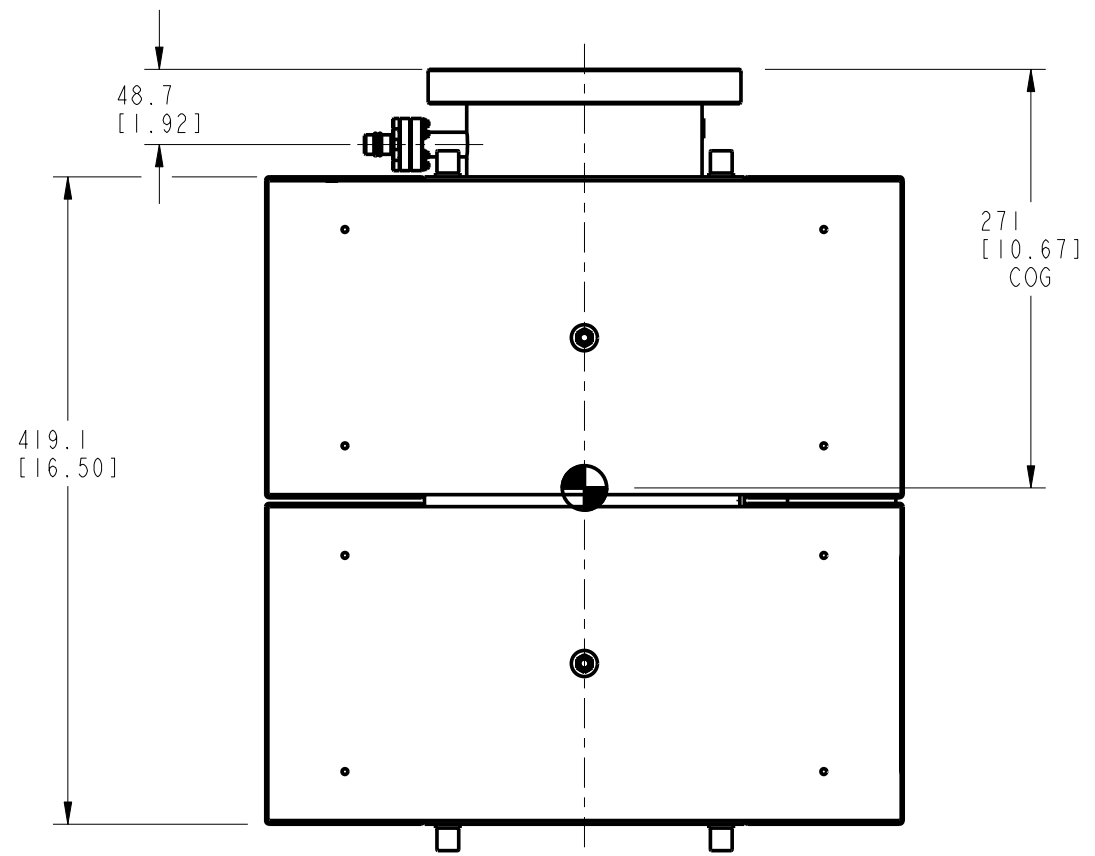
SCALE 0.200

C

C

B

B



A

A

ALL DIMENSIONS ARE FOR REFERENCE ONLY

<b>METRIC</b>	UNLESS OTHERWISE SPECIFIED DIMENSIONS ARE IN MILLIMETERS SURFACE ROUGHNESS IN MICROMETERS	DWN R GOLLA	DATE 17-Nov-97	<b>Gamma Vacuum</b> 12912 Ventura Court, No. 28 * Shakopee, MN
	TOLERANCES: LINEAR ±0.13 HOLES ±0.13 ANGULAR (±) MACHINED 0.5° FORMED 1° CHAMFER 5° 1.6	CHK	DATE	
THIRD ANGLE PROJECTION	MACHINED SURFACES BREAK SHARP EDGES: R0.2 OR 45° 0.2 MAX. INTERNAL MACH. CORNER R.4 MAX.	APPV	DATE	TITLE PUMP-ION, 400 L/S, SE, 8", TALL
	THIS DRAWING CONTAINS PROPRIETARY INFORMATION AND ANY REPRODUCTION, DISCLOSURE OR USE OF THIS DRAWING IS EXPRESSLY PROHIBITED EXCEPT AS AGREED TO IN WRITING.	R1	TOLERANCING AND DIMENSIONING PER ANSI Y14.5M-1982	SIZE C
				DRAWING NO. 400LX-XX-8S
				SCALE 0.330 DETACHED <input type="checkbox"/> PLO SPEC SHT 2 OF 2

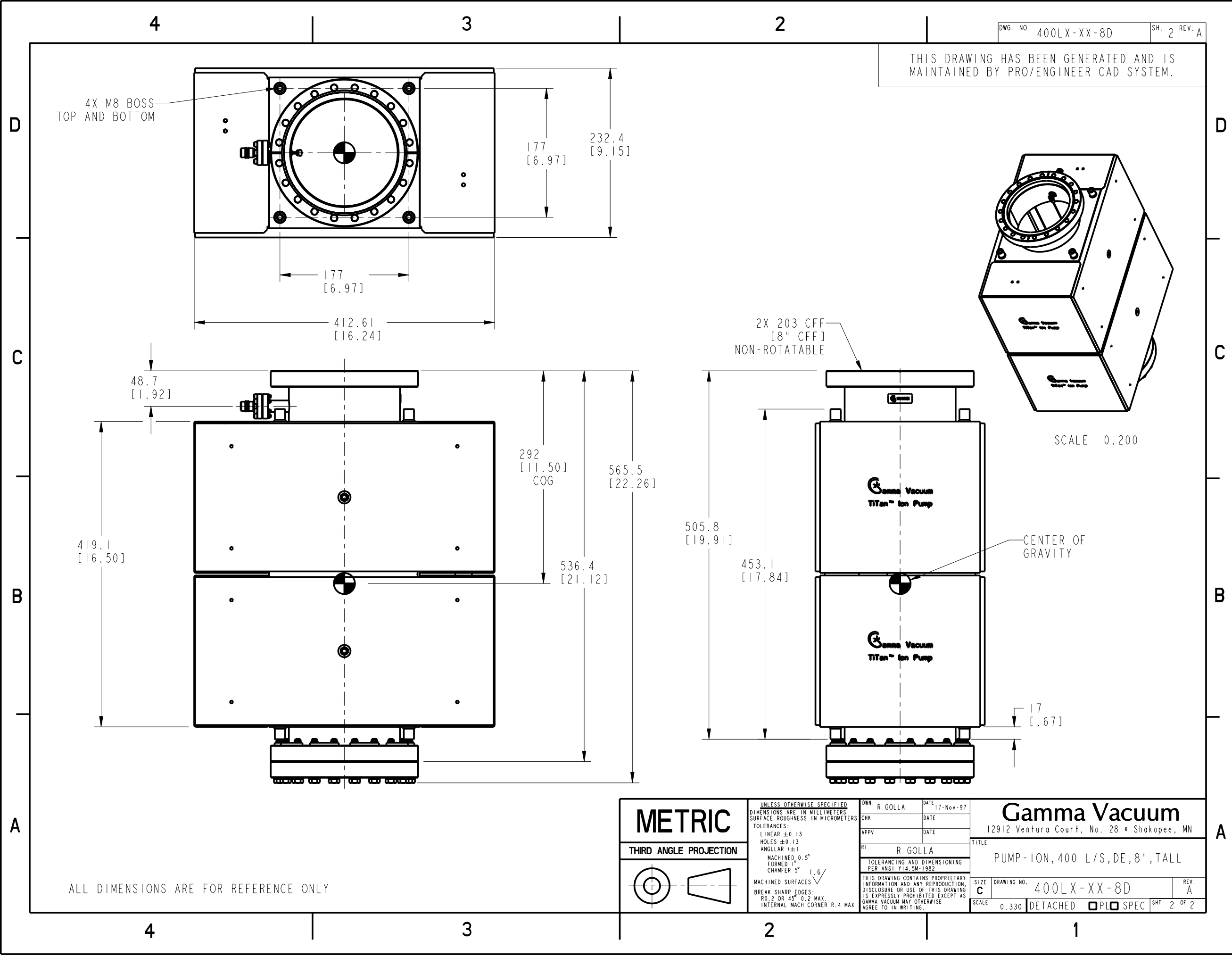
4

3

2

1

THIS DRAWING HAS BEEN GENERATED AND IS MAINTAINED BY PRO/ENGINEER CAD SYSTEM.



ALL DIMENSIONS ARE FOR REFERENCE ONLY

**METRIC**  
THIRD ANGLE PROJECTION

UNLESS OTHERWISE SPECIFIED  
DIMENSIONS ARE IN MILLIMETERS  
SURFACE ROUGHNESS IN MICROMETERS  
TOLERANCES:  
LINEAR ±0.13  
HOLES ±0.13  
ANGULAR (±)  
MACHINED 0.5°  
FORMED 1°  
CHAMFER 5° 1.6  
MACHINED SURFACES  
BREAK SHARP EDGES:  
R0.2 OR 45° 0.2 MAX.  
INTERNAL MACH. CORNER R.4 MAX.

DWN	R GOLLA	DATE	17-Nov-97
CHK		DATE	
APPV		DATE	
RI	R GOLLA		
TOLERANCING AND DIMENSIONING PER ANSI Y14.5M-1982			
THIS DRAWING CONTAINS PROPRIETARY INFORMATION AND ANY REPRODUCTION, DISCLOSURE OR USE OF THIS DRAWING IS EXPRESSLY PROHIBITED EXCEPT AS AGREED TO IN WRITING.			

**Gamma Vacuum**  
12912 Ventura Court, No. 28 \* Shakopee, MN

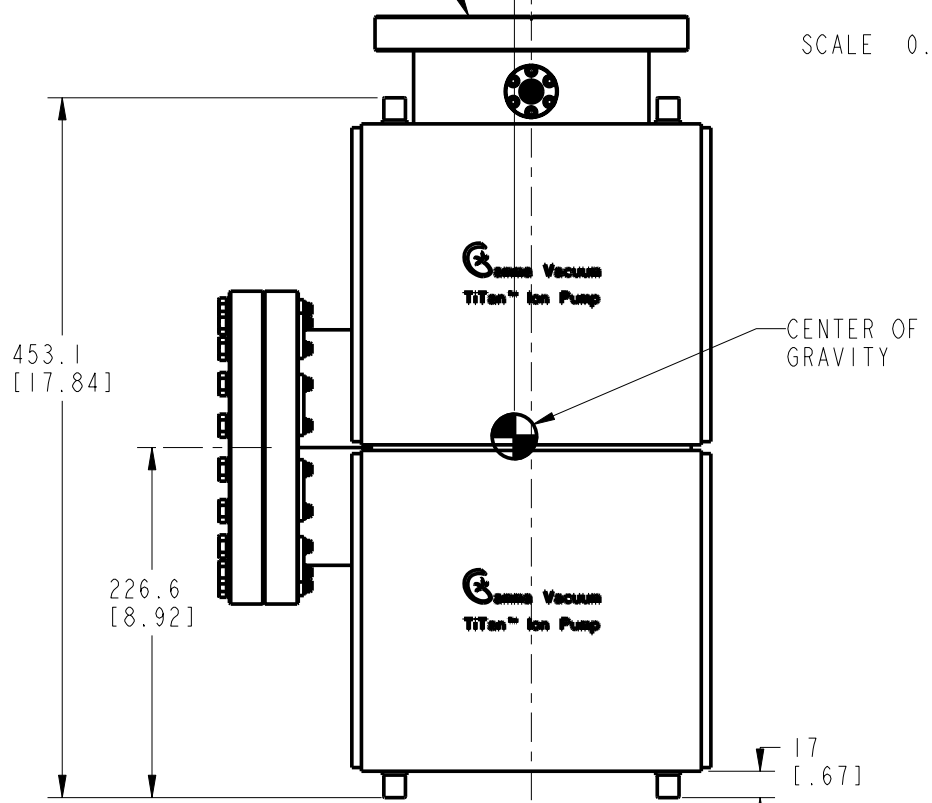
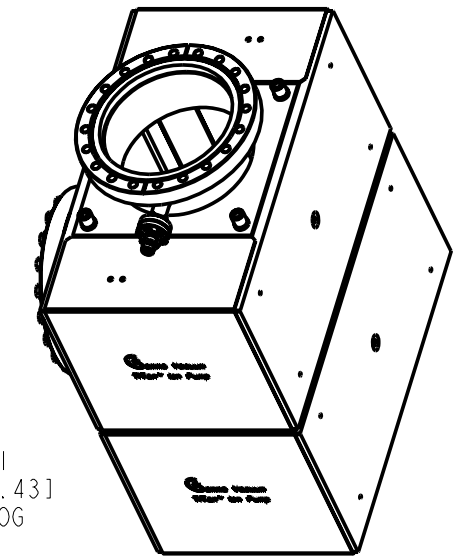
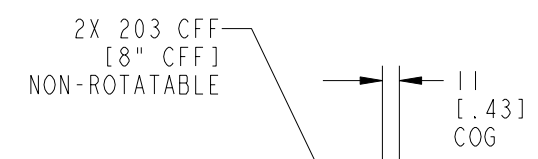
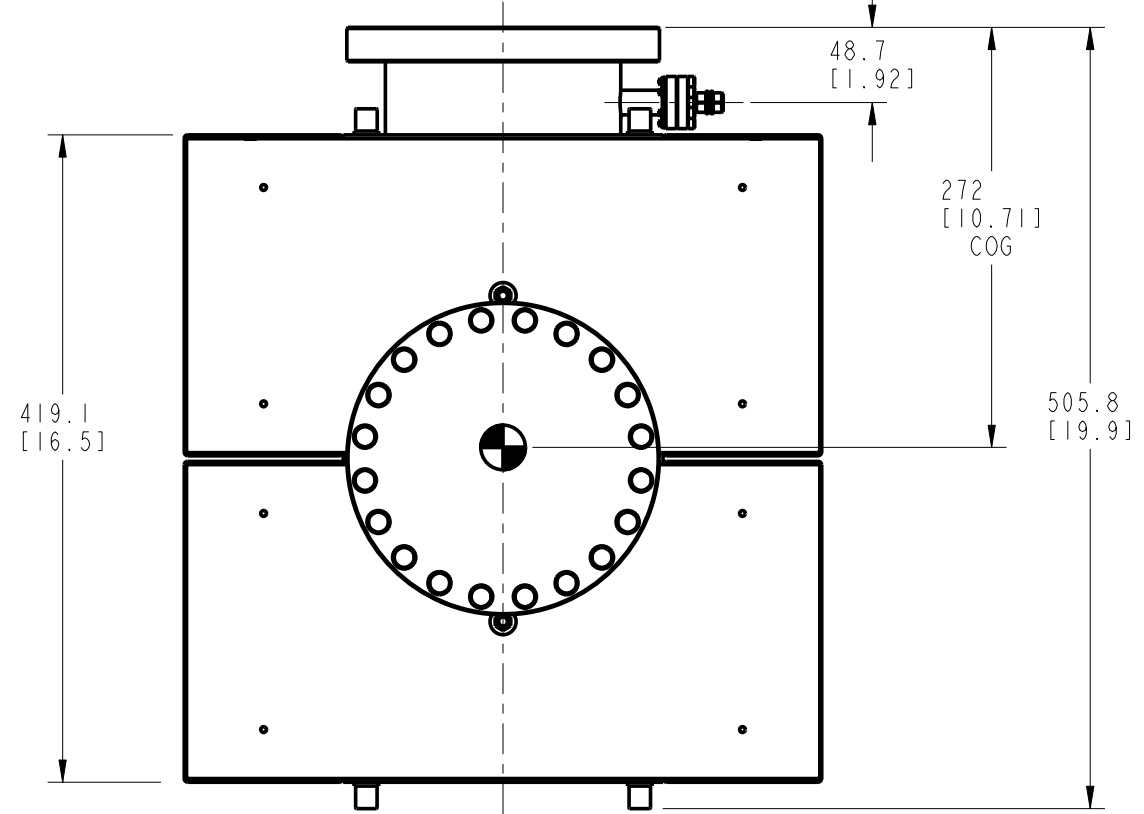
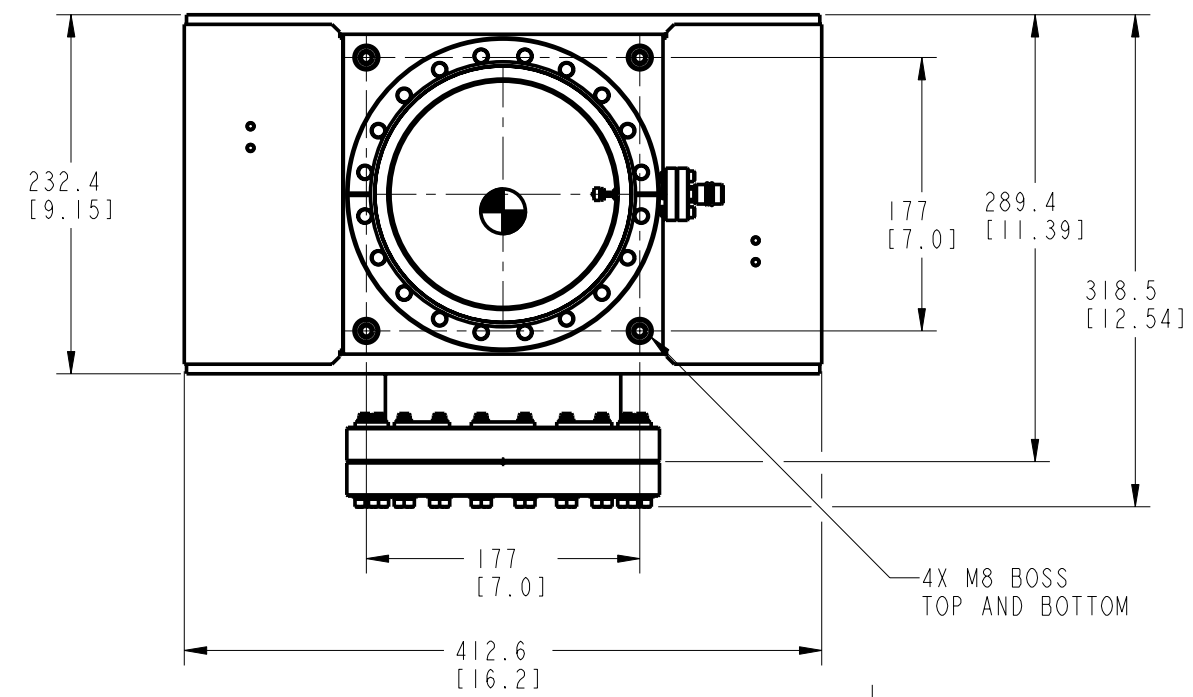
TITLE  
PUMP-ION, 400 L/S, DE, 8", TALL

SIZE	C	DRAWING NO.	400LX-XX-8D	REV.	A
SCALE	0.330	DETACHED	<input type="checkbox"/> PLSPEC	SHT	2 OF 2

THIS DRAWING HAS BEEN GENERATED AND IS MAINTAINED BY PRO/ENGINEER CAD SYSTEM.

D  
C  
B  
A

D  
C  
B  
A



ALL DIMENSIONS ARE FOR REFERENCE ONLY

**METRIC**  
THIRD ANGLE PROJECTION

UNLESS OTHERWISE SPECIFIED  
DIMENSIONS ARE IN MILLIMETERS  
SURFACE ROUGHNESS IN MICROMETERS  
TOLERANCES:  
LINEAR ±0.13  
HOLES ±0.13  
ANGULAR (±)  
MACHINED 0.5°  
FORMED 1°  
CHAMFER 5° 1.6  
MACHINED SURFACES  
BREAK SHARP EDGES:  
R0.2 OR 45° 0.2 MAX.  
INTERNAL MACH. CORNER R.4 MAX.

DWN	R GOLLA	DATE	6-14-06
CHK		DATE	
APPV		DATE	
RI	R GOLLA		
TOLERANCING AND DIMENSIONING PER ANSI Y14.5M-1982			
THIS DRAWING CONTAINS PROPRIETARY INFORMATION AND ANY REPRODUCTION, DISCLOSURE OR USE OF THIS DRAWING IS EXPRESSLY PROHIBITED EXCEPT AS AGREED TO IN WRITING.			

**Gamma Vacuum**  
12912 Ventura Court, No. 28 \* Shakopee, MN

TITLE  
PUMP-ION, 400 L/S, SIDE PT

SIZE C DRAWING NO. 400LX-XX-8P REV. A  
SCALE 0.330 DETACHED  PLSPEC SHT 2 OF 2

4 3 2 1