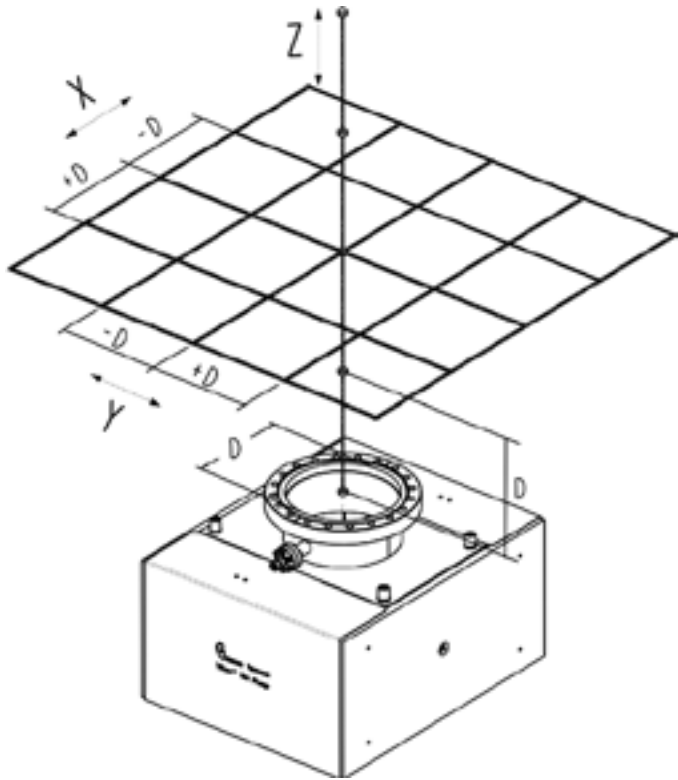


Titan 500T



*Diagram for representation only and may not mimic pump style



Ion Pump Magnetic Field Data
 Collected in accordance with ISO/DIN 28429
 Ion Pump Style*: 500T, Flange: 8" CFF (NW150),
 D: 6" (152.4 mm), Data Units: Gauss

		X					
		-2D	-D	0	D	2D	
Y	Z = 0	-2D	1.632	3.215	4.797	3.763	1.895
	-D	1.673	5.029	8.989	6.405	2.884	
	0	1.512	3.125	3.277	3.204	1.607	
	D	1.202	3.847	7.392	4.661	1.225	
	2D	0.891	2.247	3.695	2.701	1.065	

		X					
		-2D	-D	0	D	2D	
Y	Z = D	-2D	1.036	1.485	1.908	1.627	1.131
	-D	0.998	1.743	2.212	1.879	1.162	
	0	0.925	1.394	1.722	1.486	0.993	
	D	0.557	0.968	1.255	1.127	0.717	
	2D	0.341	0.565	0.861	0.674	0.478	

		X					
		-2D	-D	0	D	2D	
Y	Z = 2D	-2D	1.052	0.814	1.157	0.944	0.614
	-D	0.724	1.009	1.143	0.923	0.715	
	0	0.710	0.782	0.881	0.704	0.670	
	D	0.458	0.578	0.595	0.561	0.461	
	2D	0.257	0.329	0.356	0.320	0.327	

		X					
		-2D	-D	0	D	2D	
Y	Z = 3D	-2D	0.687	0.667	0.910	0.646	0.593
	-D	0.588	0.778	0.781	0.621	0.567	
	0	0.676	0.731	0.691	0.529	0.542	
	D	0.428	0.552	0.524	0.398	0.449	
	2D	0.289	0.329	0.316	0.334	0.321	

		X					
		-2D	-D	0	D	2D	
Y	Z = 4D	-2D	0.653	0.656	0.817	0.551	0.497
	-D	0.543	0.701	0.667	0.495	0.459	
	0	0.717	0.631	0.603	0.412	0.501	
	D	0.507	0.516	0.565	0.346	0.421	
	2D	0.383	0.362	0.374	0.350	0.316	