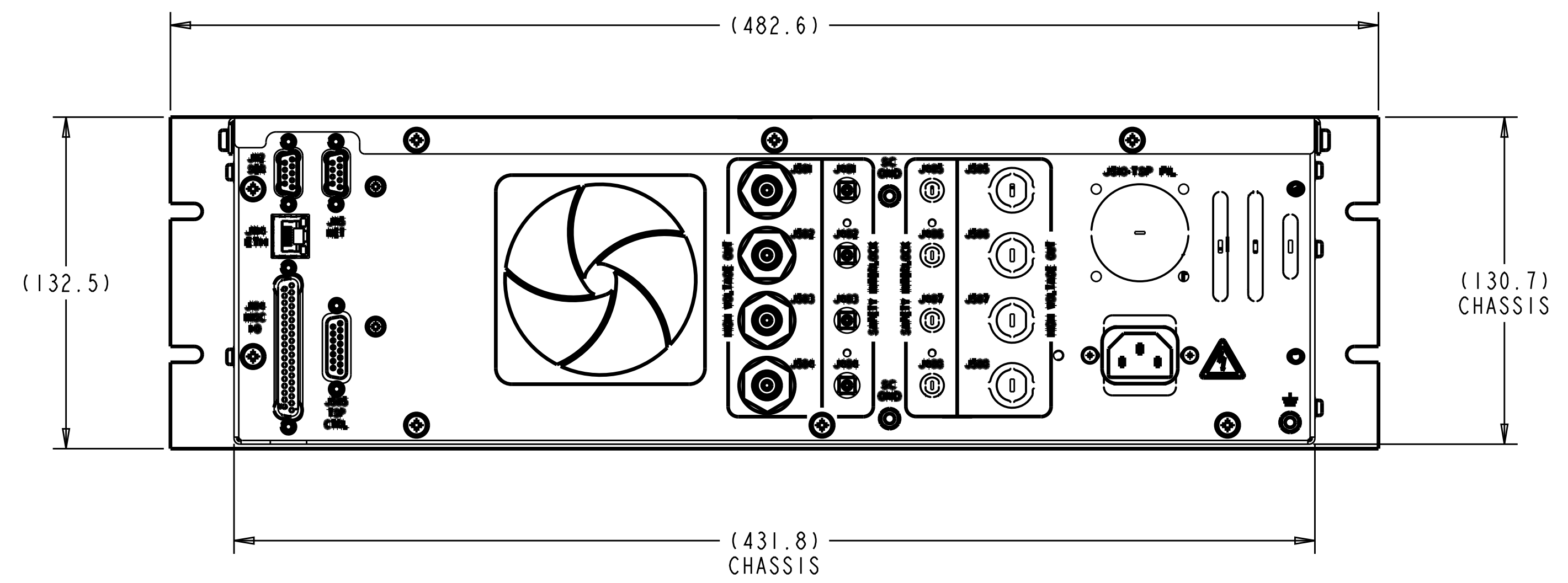
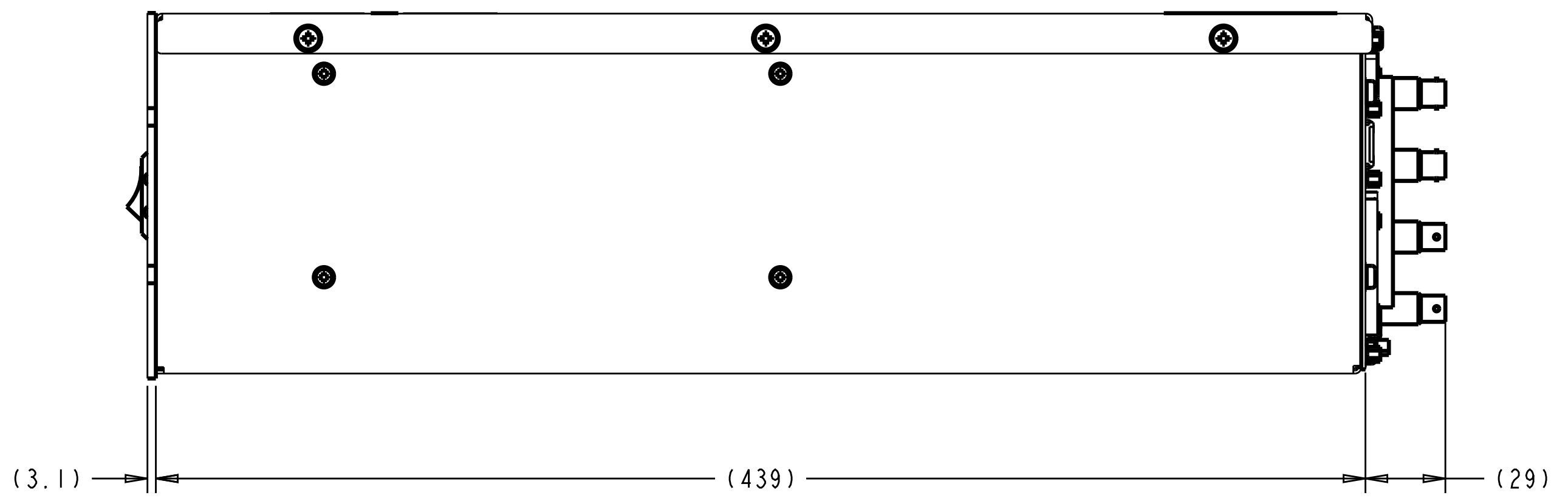
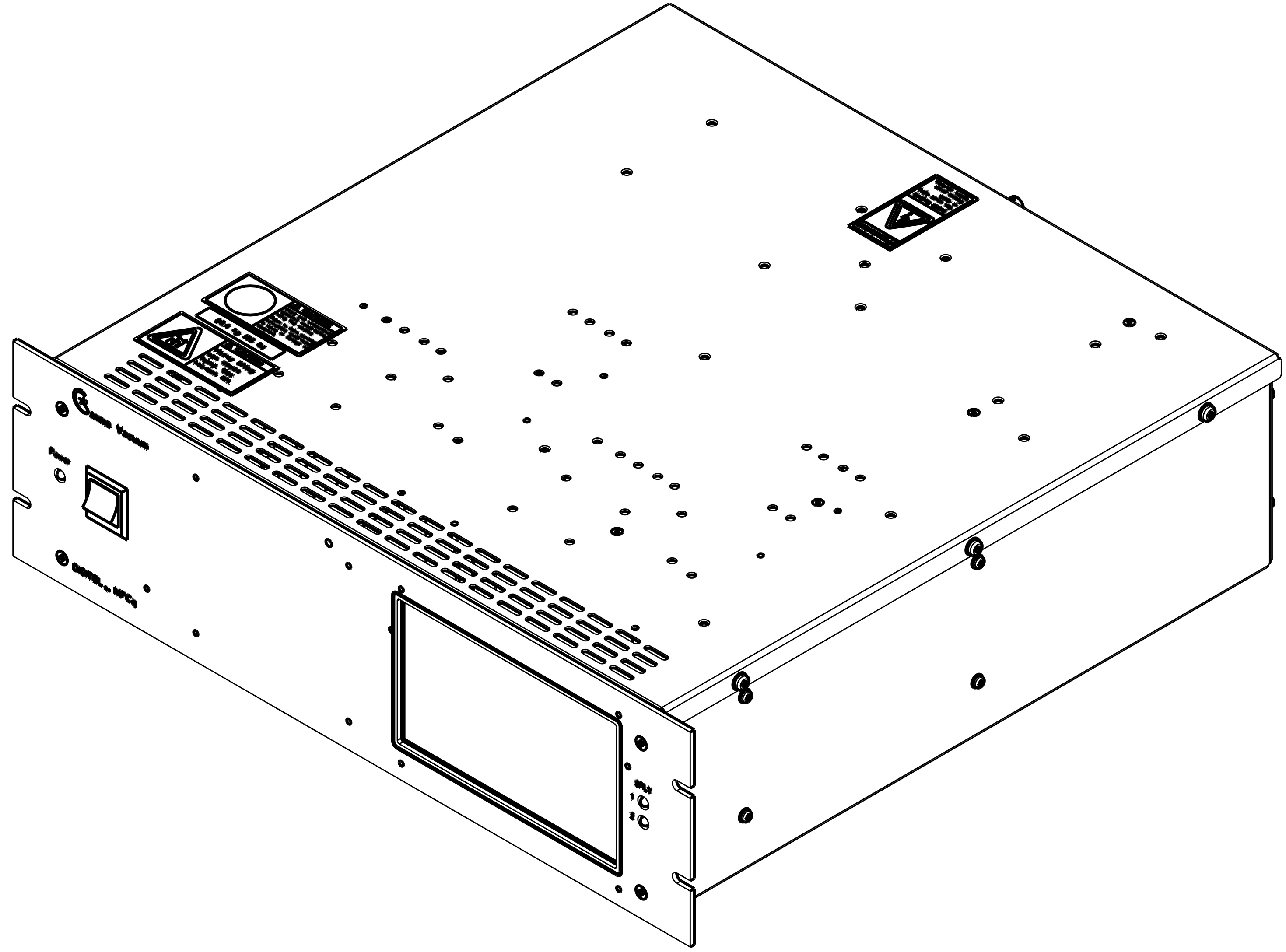
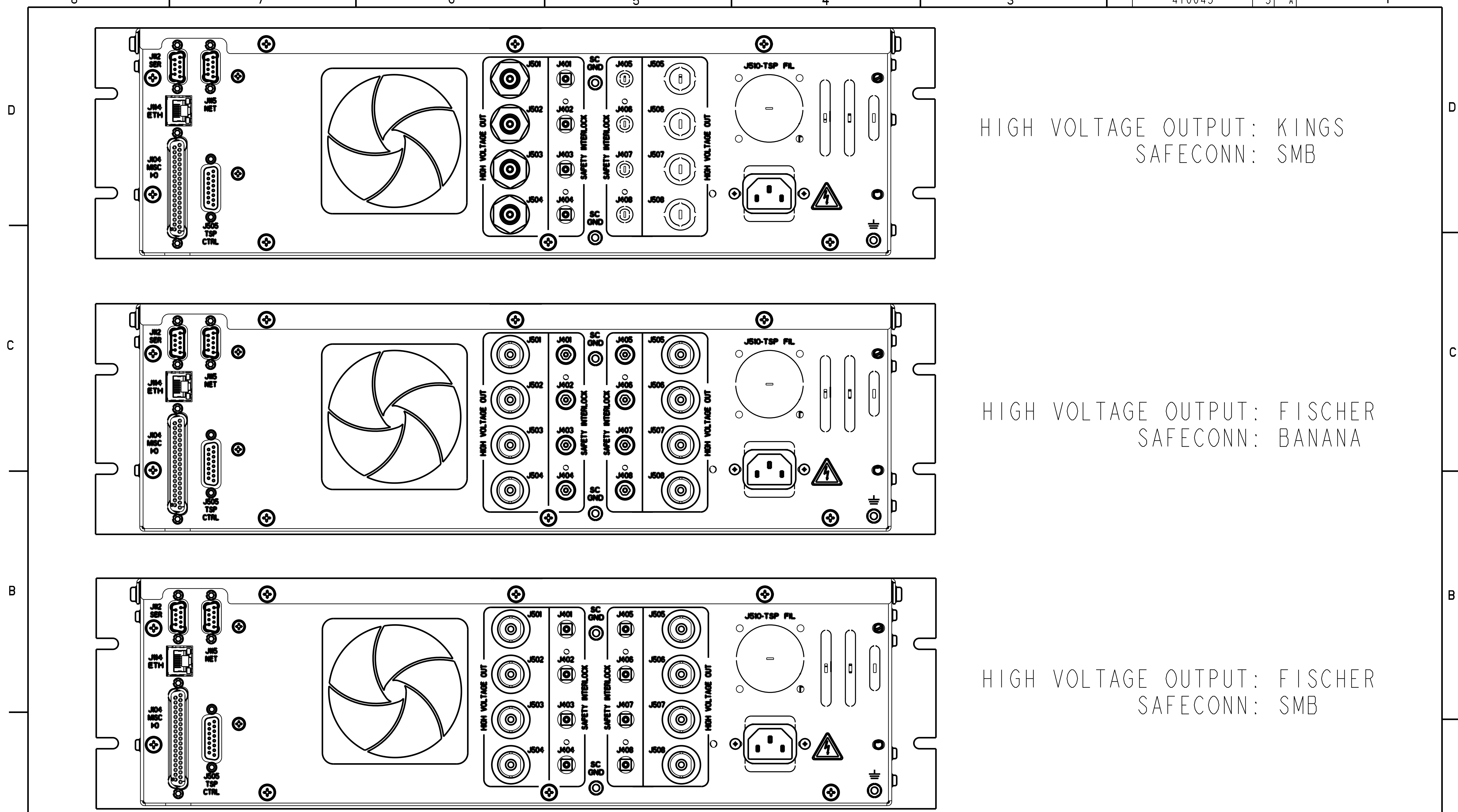


D  
C  
B  
A



<b>METRIC</b> THIRD ANGLE PROJECTION 	<b>OUTLINE DRAWING</b> DIMENSIONS ARE IN MILLIMETERS DIMENSIONS ARE FOR REFERENCE ONLY WITH NO ESTABLISHED TOLERANCE	DWN EIB    DATE 11-03-17 CHK            DATE APPV            DATE RI EIB TOLERANCING AND DIMENSIONING PER ANSI Y14.5M - 1982 <small>THIS DRAWING CONTAINS PROPRIETARY INFORMATION AND ANY REPRODUCTION, DISCLOSURE OR USE OF THIS DRAWING IS EXPRESSLY PROHIBITED EXCEPT AS AGREED TO IN WRITING.</small>	<b>Gamma Vacuum</b> 2915 133rd Street West • Shakopee, MN TITLE <b>MPCq UNIT ASSEMBLY</b>
		SIZE D    DRAWING NO. 410043    REV. A SCALE 0.600    DETACHED <input type="checkbox"/> PL <input type="checkbox"/> SPEC    SHT 2 OF 3	



HIGH VOLTAGE OUTPUT: KINGS  
SAFECONN: SMB

HIGH VOLTAGE OUTPUT: FISCHER  
SAFECONN: BANANA

HIGH VOLTAGE OUTPUT: FISCHER  
SAFECONN: SMB

<b>METRIC</b> THIRD ANGLE PROJECTION 	<b>OUTLINE DRAWING</b> DIMENSIONS ARE IN MILLIMETERS DIMENSIONS ARE FOR REFERENCE ONLY WITH NO ESTABLISHED TOLERANCE	DWN EIB DATE 11-03-17 CHK DATE APPV DATE	TITLE <b>Gamma Vacuum</b> 2915 133rd Street West • Shakopee, MN
		RI EIB TOLERANCING AND DIMENSIONING PER ANSI Y14.5M - 1982	THIS DRAWING CONTAINS PROPRIETARY INFORMATION AND ANY REPRODUCTION, DISCLOSURE OR USE OF THIS DRAWING IS EXPRESSLY PROHIBITED EXCEPT AS AGREED TO IN WRITING.
SIZE D SCALE 1.000 DETACHED <input type="checkbox"/> PL <input type="checkbox"/> SPEC SHT 3 OF 3		DRAWING NO. 410043 REV. A	TITLE MPCq UNIT ASSEMBLY