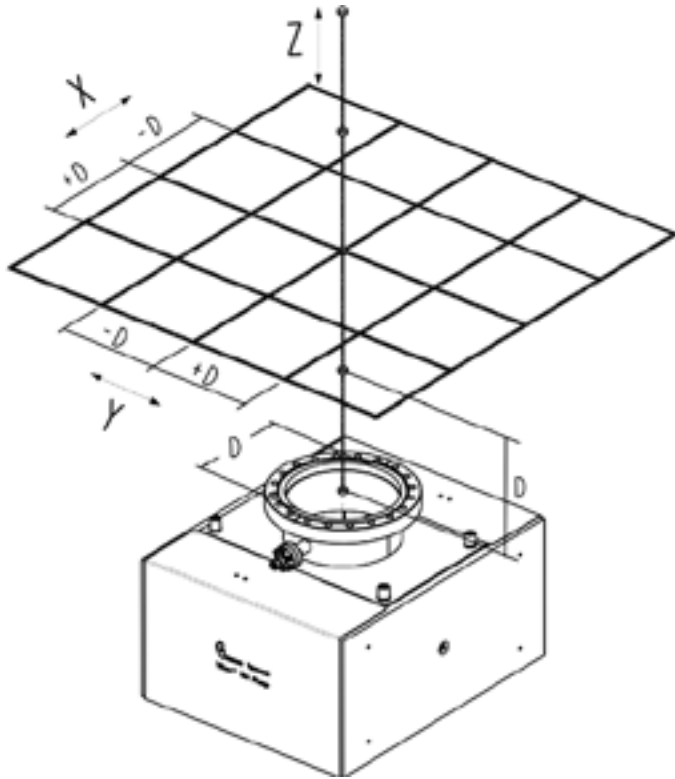


Titan 200L



*Diagram for representation only and may not mimic pump style



Ion Pump Magnetic Field Data
 Collected in accordance with ISO/DIN 28429
 Ion Pump Style*: 200L, Flange: 8" CFF (NW150)
 D: 6" (152,4 mm), Data Units: Gauss

		X					
		-2D	-D	0	D	2D	
Y	Z = 0	-2D	1.051	1.753	1.685	1.601	0.540
	-D	1.044	1.981	1.413	1.573	0.501	
	0	1.147	1.764	1.334	1.044	0.300	
	D	1.090	1.637	2.214	1.800	0.445	
	2D	0.605	0.574	2.335	2.197	0.775	

		X					
		-2D	-D	0	D	2D	
Y	Z = D	-2D	0.754	0.646	0.564	0.465	0.282
	-D	0.809	0.809	0.517	0.279	0.173	
	0	0.841	0.836	0.632	0.290	0.189	
	D	0.828	0.758	0.944	0.587	0.373	
	2D	0.648	0.692	1.048	0.843	0.557	

		X					
		-2D	-D	0	D	2D	
Y	Z = 2D	-2D	0.491	0.359	0.421	0.496	0.123
	-D	0.691	0.429	0.406	0.395	0.180	
	0	0.690	0.432	0.424	0.314	0.210	
	D	0.641	0.561	0.595	0.505	0.441	
	2D	0.667	0.850	0.842	0.521	0.533	

		X					
		-2D	-D	0	D	2D	
Y	Z = 3D	-2D	0.611	0.493	0.624	0.309	0.319
	-D	0.674	0.611	0.592	0.774	0.383	
	0	0.565	0.533	0.559	0.472	0.572	
	D	0.585	0.489	0.554	0.528	0.546	
	2D	0.578	0.566	0.537	0.448	0.405	

		X					
		-2D	-D	0	D	2D	
Y	Z = 4D	-2D	0.625	0.616	0.574	0.498	0.438
	-D	0.566	0.605	0.561	0.483	0.447	
	0	0.590	0.538	0.600	0.486	0.451	
	D	0.570	0.588	0.563	0.488	0.444	
	2D	0.546	0.565	0.507	0.457	0.433	