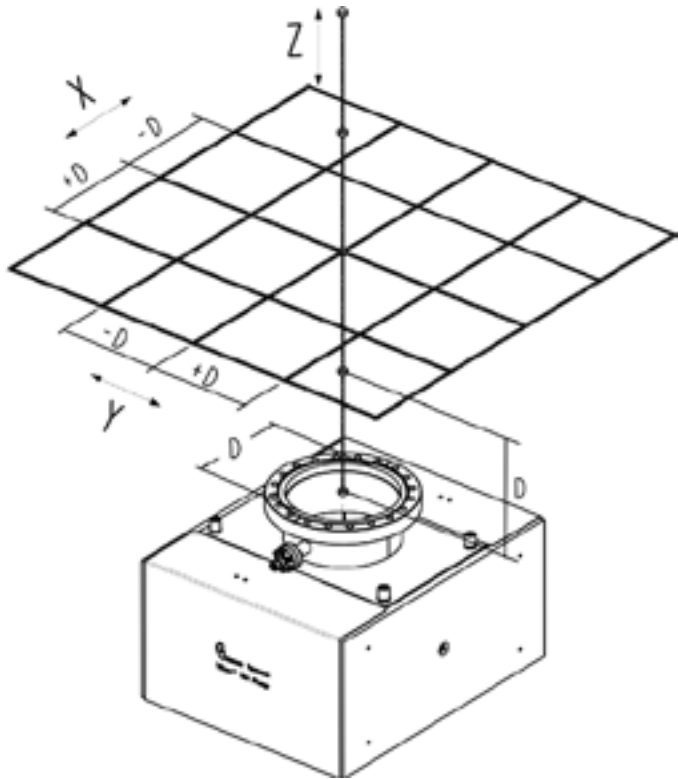


# Titan 150T



\*Diagram for representation only and may not mimic pump style



Ion Pump Magnetic Field Data  
 Collected in accordance with ISO/DIN 28429  
 Ion Pump Style\*: Flange: 6" CFF (NW100)  
 D: 4" (101.6 mm), Data Units: Gauss

		Z = 0				
		-2D	-D	0	D	2D
Y	-2D	0.642	0.679	0.856	0.549	0.559
	-D	0.653	0.918	1.078	0.784	0.634
	0	0.653	2.073	4.496	2.067	0.879
	D	0.952	3.883	7.224	4.254	1.117
	2D	0.796	1.665	2.495	1.782	0.857

		Z = D				
		-2D	-D	0	D	2D
Y	-2D	0.619	0.671	0.802	0.508	0.509
	-D	0.570	0.744	0.751	0.563	0.493
	0	0.639	0.726	0.859	0.667	0.512
	D	0.492	0.616	0.797	0.791	0.467
	2D	0.391	0.395	0.551	0.455	0.424

		Z = 2D				
		-2D	-D	0	D	2D
Y	-2D	0.608	0.641	0.772	0.463	0.479
	-D	0.505	0.626	0.567	0.415	0.433
	0	0.593	0.522	0.481	0.367	0.423
	D	0.383	0.310	0.293	0.271	0.338
	2D	0.303	0.151	0.165	0.151	0.278

		Z = 3D				
		-2D	-D	0	D	2D
Y	-2D	0.594	0.538	0.328	0.467	0.426
	-D	0.438	0.554	0.563	0.423	0.369
	0	0.571	0.498	0.398	0.298	0.401
	D	0.377	0.538	0.372	0.257	0.339
	2D	0.221	0.303	0.186	0.272	0.254

		Z = 4D				
		-2D	-D	0	D	2D
Y	-2D	0.574	0.742	0.784	0.374	0.486
	-D	0.449	0.645	0.571	0.392	0.411
	0	0.564	0.601	0.562	0.374	0.359
	D	0.380	0.428	0.445	0.322	0.364
	2D	0.293	0.287	0.304	0.311	0.287