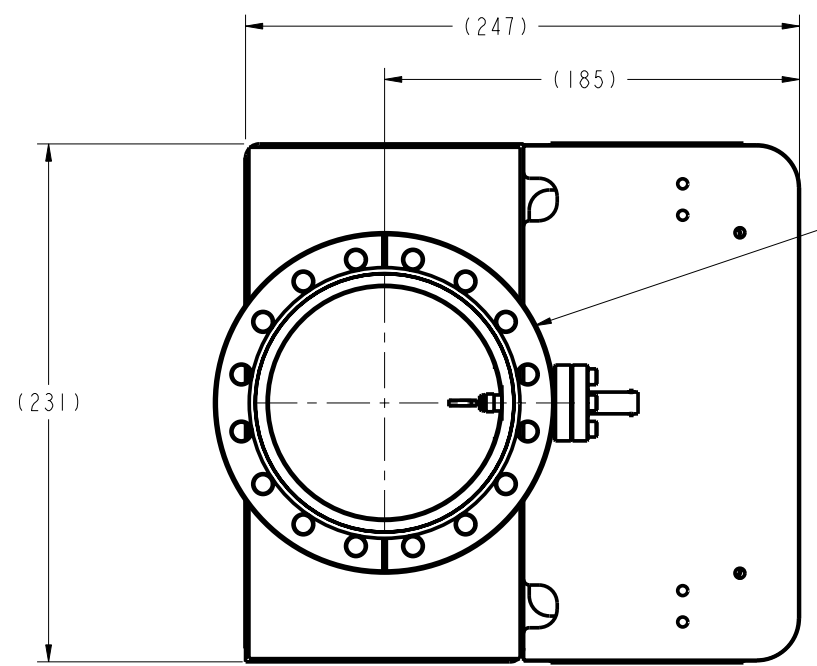
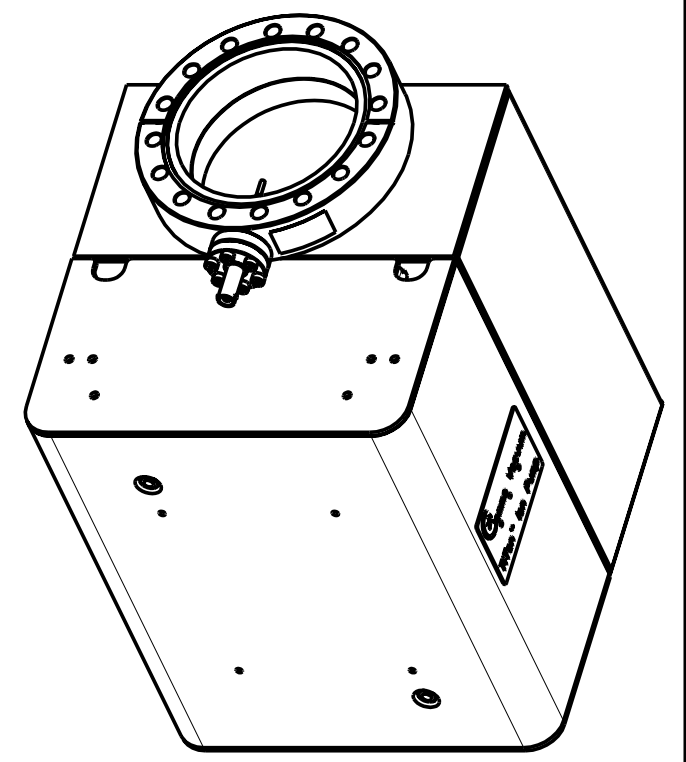


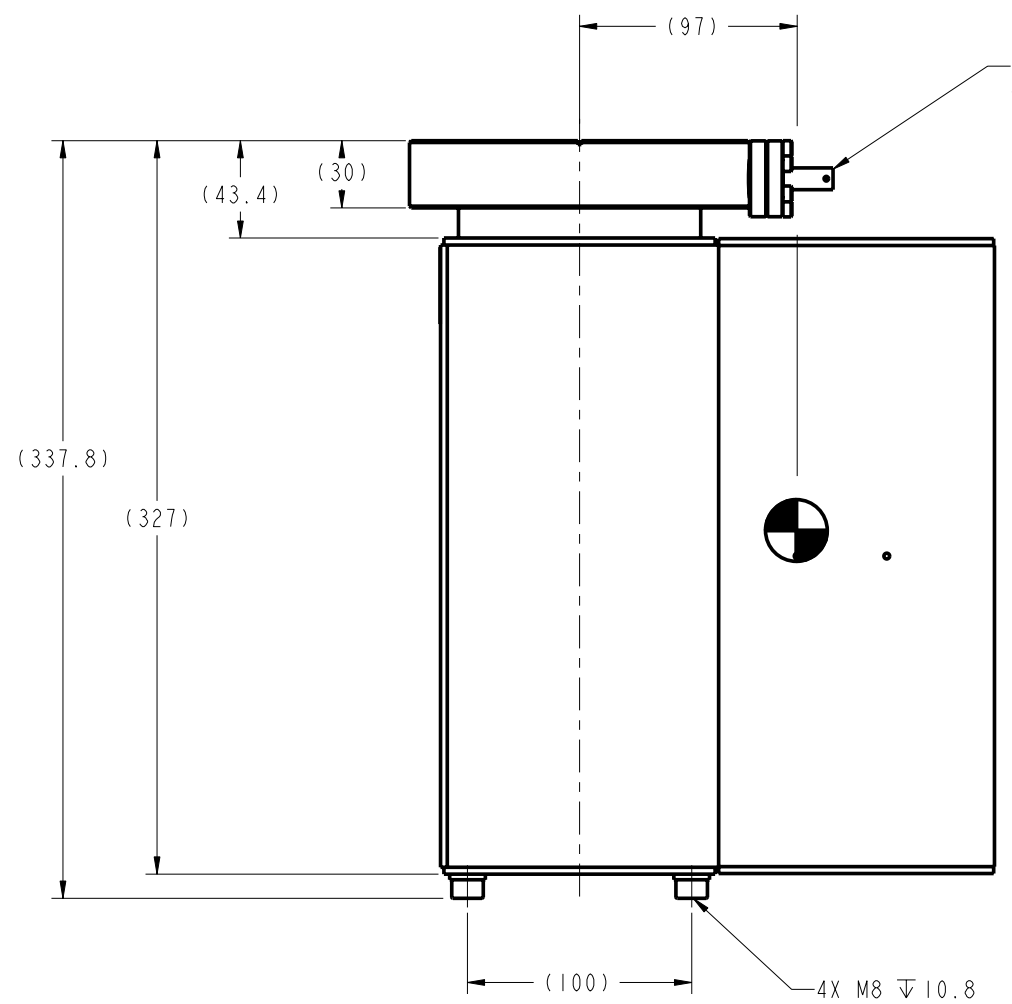
THIS DRAWING HAS BEEN GENERATED AND IS MAINTAINED BY PRO/ENGINEER CAD SYSTEM.



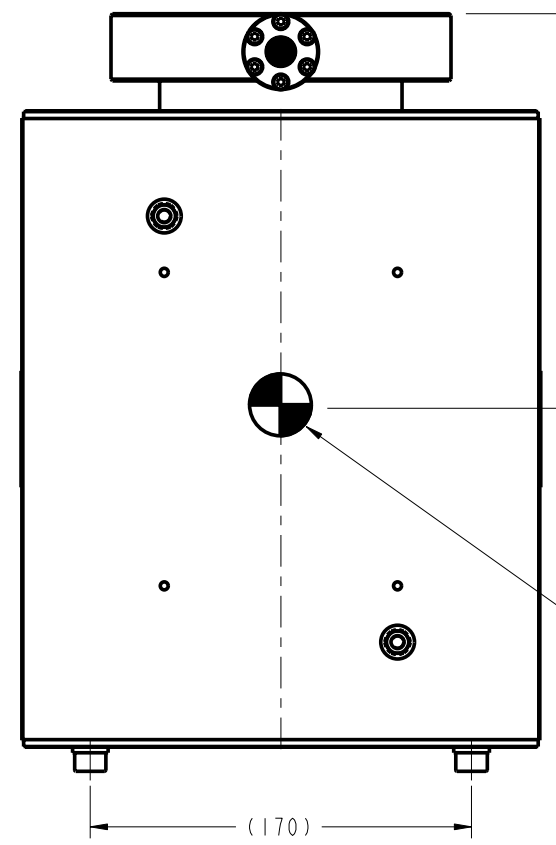
152 CFF [6" CFF]  
NON-ROTATABLE, 30mm THK  
(60mm [2.5"] LG BOLTS REQUIRED)



SCALE 0.500



SHV10 10KV HV FDTHRU SHOWN  
OTHER HV FDTHRUS AVAILABLE

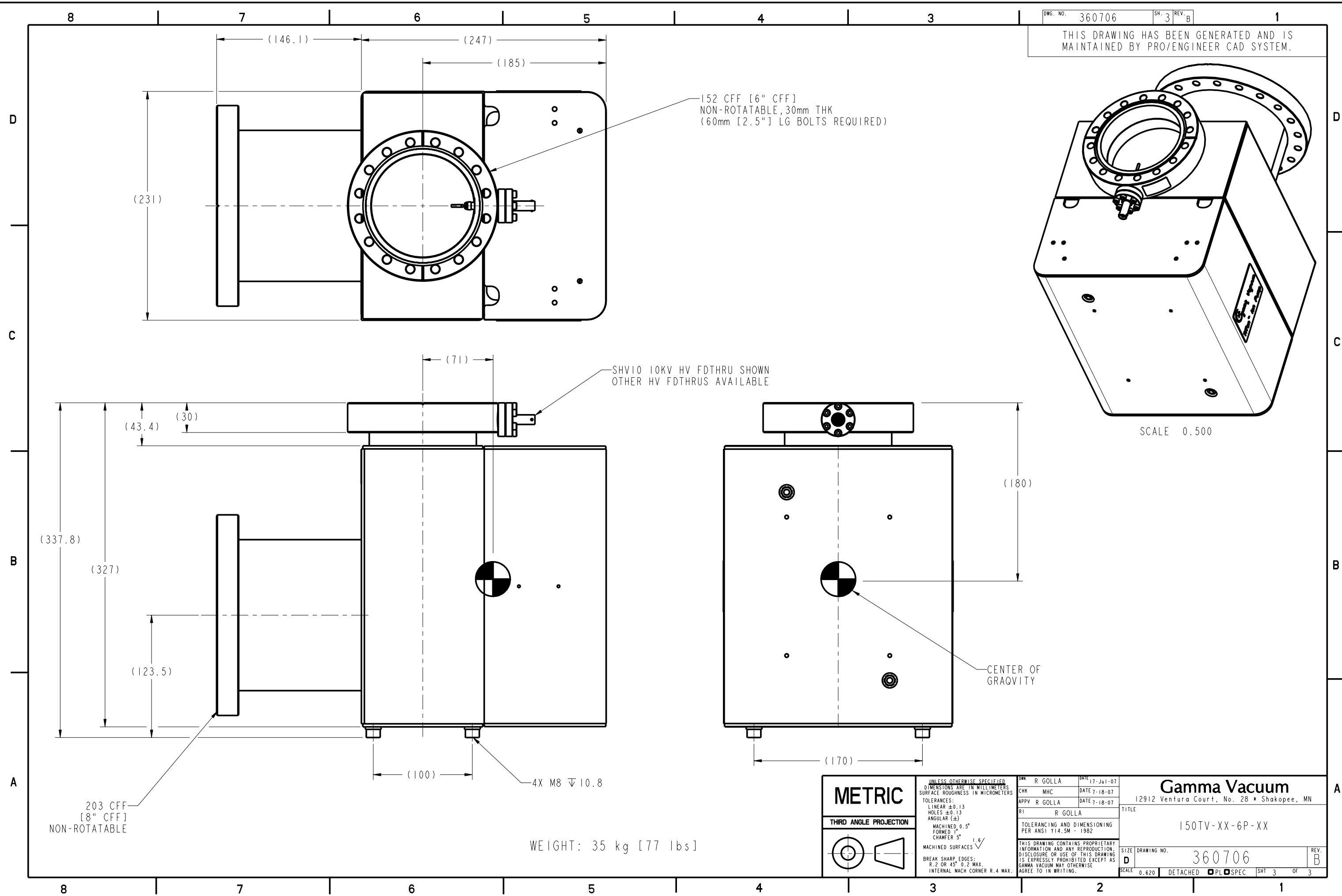


CENTER OF GRAVITY

WEIGHT: 32 kg [70 lbs]

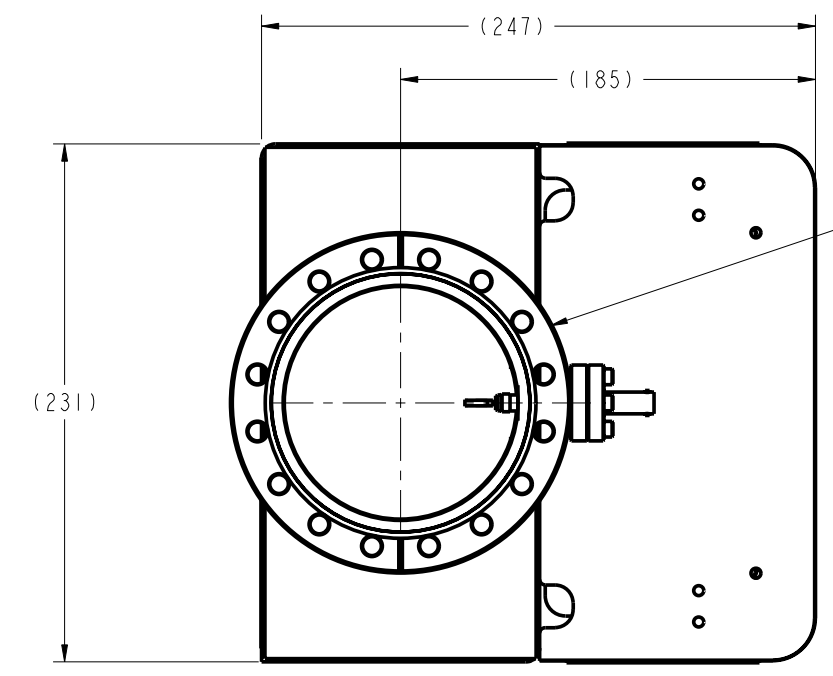
<b>METRIC</b> THIRD ANGLE PROJECTION 	<small>UNLESS OTHERWISE SPECIFIED:          DIMENSIONS ARE IN MILLIMETERS          SURFACE ROUGHNESS IN MICROMETERS</small>	<small>DRN R GOLLA DATE 17-Jul-07          CHK MHC DATE 7-18-07          APPV R GOLLA DATE 7-18-07          RI R GOLLA</small>	<b>Gamma Vacuum</b> 12912 Ventura Court, No. 28 • Shakopee, MN
	<small>TOLERANCES:          LINEAR ±0.13          HOLES ±0.13          ANGULAR (±)          MACHINED 0.5°          FORMED 1°          CHAMFER 5°          MACHINED SURFACES 1.6          BREAK SHARP EDGES:          R.2 OR 45° 0.2 MAX.          INTERNAL MACH CORNER R.4 MAX.</small>	<small>TOLERANCING AND DIMENSIONING          PER ANSI Y14.5M - 1982</small>	<small>THIS DRAWING CONTAINS PROPRIETARY          INFORMATION AND ANY REPRODUCTION,          DISCLOSURE OR USE OF THIS DRAWING          IS EXPRESSLY PROHIBITED EXCEPT AS          AGREED TO IN WRITING.</small>
SCALE 0.620 DETACHED <input type="checkbox"/> PL <input type="checkbox"/> SPEC SHT 3 OF 3		SIZE DRAWING NO. <b>360705</b> REV. <b>B</b>	

THIS DRAWING HAS BEEN GENERATED AND IS MAINTAINED BY PRO/ENGINEER CAD SYSTEM.

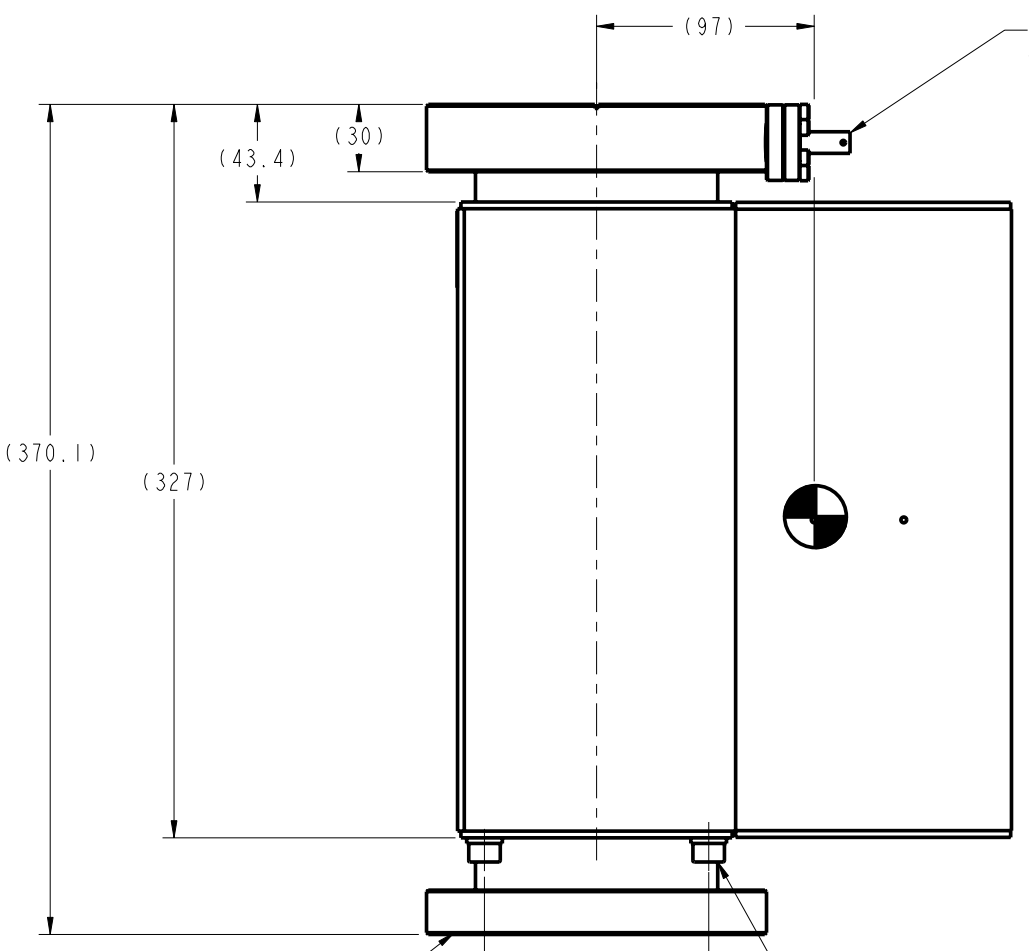
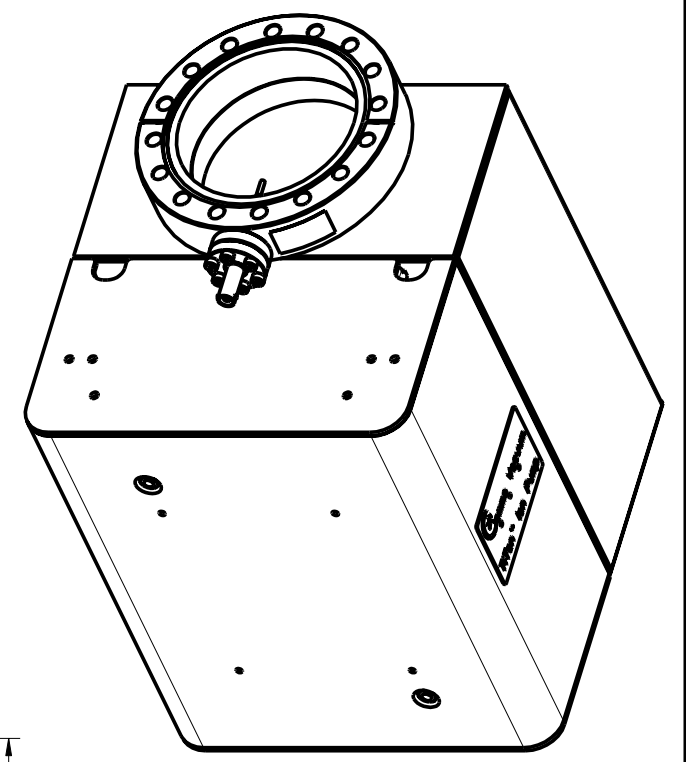


<b>METRIC</b> THIRD ANGLE PROJECTION 	UNLESS OTHERWISE SPECIFIED: DIMENSIONS ARE IN MILLIMETERS SURFACE ROUGHNESS IN MICROMETERS TOLERANCES: LINEAR $\pm 0.13$ HOLES $\pm 0.13$ ANGULAR ( $\pm$ ) MACHINED 0.5° FORMED 1° CHAMFER 5° MACHINED SURFACES $\checkmark$ BREAK SHARP EDGES: R. 2 OR 45° 0.2 MAX. INTERNAL MACH CORNER R. 4 MAX.	DWG R GOLLA DATE 17-Jul-07 CHK MHC DATE 7-18-07 APPV R GOLLA DATE 7-18-07 RT R GOLLA TOLERANCING AND DIMENSIONING PER ANSI Y14.5M - 1982 THIS DRAWING CONTAINS PROPRIETARY INFORMATION AND ANY REPRODUCTION, DISCLOSURE OR USE OF THIS DRAWING IS EXPRESSLY PROHIBITED EXCEPT AS AGREED TO IN WRITING.	<b>Gamma Vacuum</b> 12912 Ventura Court, No. 28 • Shakopee, MN TITLE 150TV-XX-6P-XX SIZE DRAWING NO. 360706 REV. B SCALE 0.620 DETACHED <input type="checkbox"/> PLI <input type="checkbox"/> SPEC SHT 3 OF 3
---	---	---	--

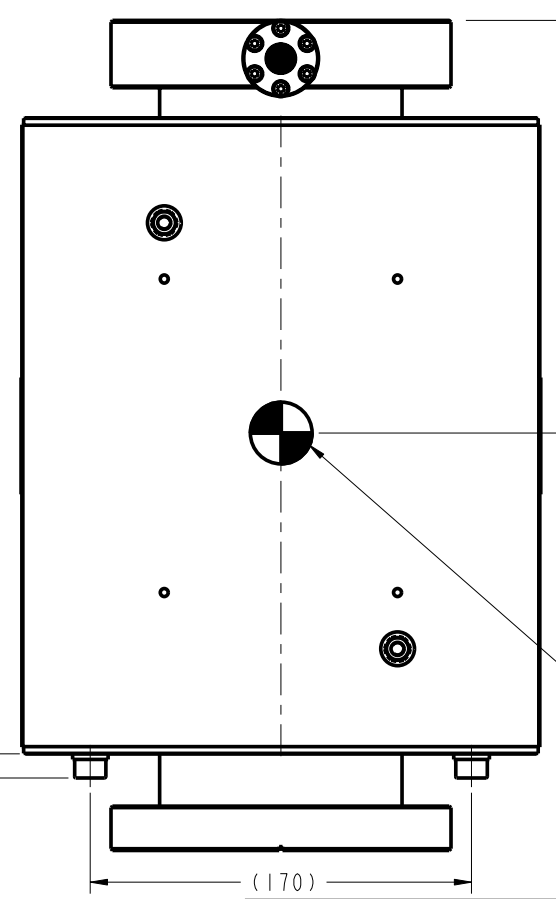
THIS DRAWING HAS BEEN GENERATED AND IS MAINTAINED BY PRO/ENGINEER CAD SYSTEM.



152 CFF [6" CFF]  
NON-ROTATABLE, 30mm THK  
(60mm [2.5"] LG BOLTS REQUIRED)



SHV10 10KV HV FDTHRU SHOWN  
OTHER HV FDTHRUS AVAILABLE



CENTER OF GRAVITY

152 CFF [6.0" CFF]

4X M8  $\nabla$  10.8

WEIGHT: 34 kg [74 lbs]

<b>METRIC</b> THIRD ANGLE PROJECTION 	<small>UNLESS OTHERWISE SPECIFIED:          DIMENSIONS ARE IN MILLIMETERS          SURFACE ROUGHNESS IN MICROMETERS</small>	<small>DATE 9-23-08</small> R GOLLA	<b>Gamma Vacuum</b> 12912 Ventura Court, No. 28 • Shakopee, MN
	<small>TOLERANCES:          LINEAR <math>\pm 0.13</math>          HOLES <math>\pm 0.13</math>          ANGULAR (<math>\pm</math>)          MACHINED 0.5°          FORMED 1°          CHAMFER 5°</small>	<small>DATE 9-23-08</small> MHC	
<small>BREAK SHARP EDGES:          R.2 OR 45° 0.2 MAX.          INTERNAL MACH CORNER R.4 MAX.</small>	<small>TOLERANCING AND DIMENSIONING          PER ANSI Y14.5M - 1982</small>	<small>THIS DRAWING CONTAINS PROPRIETARY          INFORMATION AND ANY REPRODUCTION,          DISCLOSURE OR USE OF THIS DRAWING          IS EXPRESSLY PROHIBITED EXCEPT AS          AGREED TO IN WRITING.</small>	TITLE 150TV-XX-6D-XX
SCALE 0.620	DETACHED <input type="checkbox"/> PL <input type="checkbox"/> SPEC	SHT 3 OF 3	SIZE DRAWING NO. 360762 REV. B