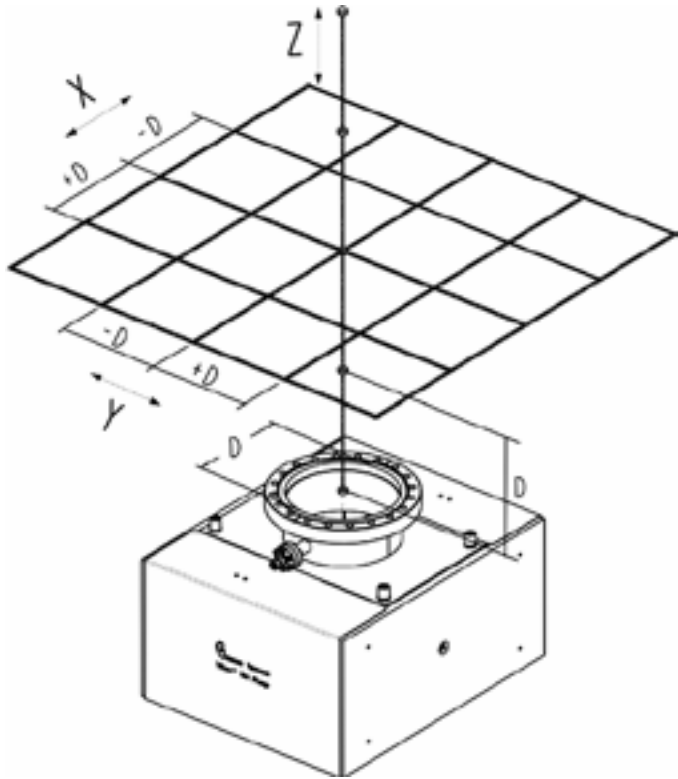


Titan 300T



*Diagram for representation only and may not mimic pump style



Ion Pump Magnetic Field Data
 Collected in accordance with ISO/DIN 28429
 Ion Pump Style*: 300T, Flange: 8" CFF (NW150),
 D: 6" (152.4 mm), Data Units: Gauss

		Z = 0				
		-2D	-D	0	D	2D
Y	-2D	0.815	2.198	3.260	2.056	0.734
	-D	0.669	3.399	6.028	2.945	0.738
	0	0.919	2.313	2.115	1.959	0.666
	D	0.454	5.018	7.885	4.050	1.112
	2D	1.270	3.143	4.209	2.656	1.049

		Z = D				
		-2D	-D	0	D	2D
Y	-2D	0.434	0.455	0.677	0.524	0.501
	-D	0.340	0.524	0.875	0.577	0.454
	0	0.677	1.040	1.200	0.910	0.530
	D	1.013	1.562	1.836	1.394	0.802
	2D	0.950	1.535	1.785	1.150	0.755

		Z = 2D				
		-2D	-D	0	D	2D
Y	-2D	0.541	0.390	0.390	0.573	0.580
	-D	0.340	0.434	0.665	0.515	0.364
	0	0.660	0.943	1.057	0.766	0.473
	D	0.960	1.374	1.616	1.162	0.684
	2D	0.988	1.306	1.621	1.016	0.598

		Z = 3D				
		-2D	-D	0	D	2D
Y	-2D	0.482	0.396	0.465	0.212	0.397
	-D	0.456	0.402	0.335	0.273	0.401
	0	0.600	0.602	0.794	0.365	0.365
	D	0.735	0.765	0.910	0.686	0.523
	2D	0.770	0.407	0.938	0.654	0.406

		Z = 4D				
		-2D	-D	0	D	2D
Y	-2D	0.581	0.442	0.565	0.399	0.469
	-D	0.461	0.502	0.472	0.411	0.381
	0	0.644	0.790	0.635	0.467	0.417
	D	0.655	0.707	0.685	0.626	0.506
	2D	0.690	0.708	0.741	0.507	0.455