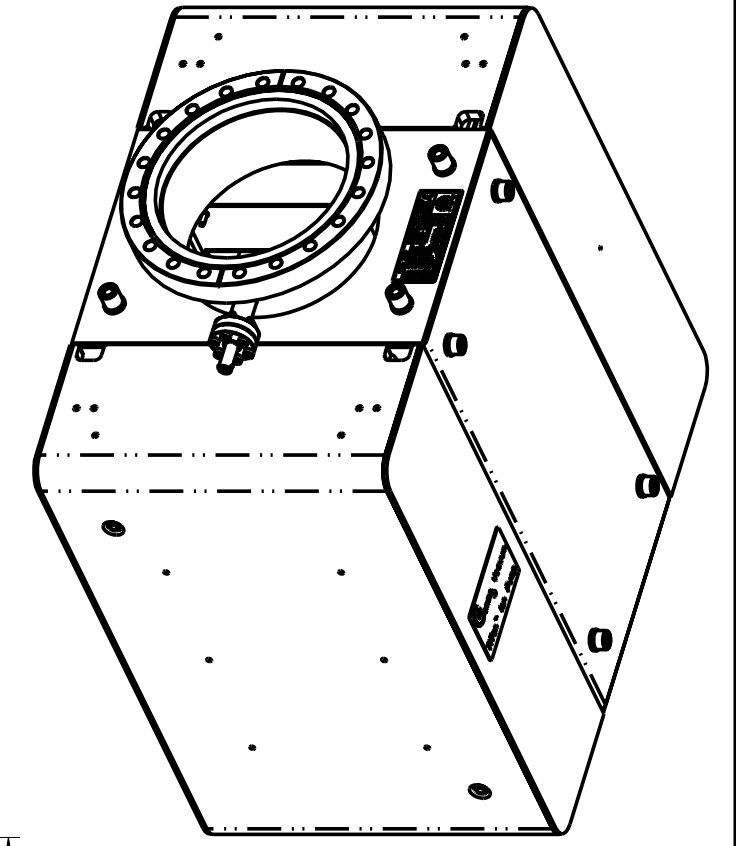
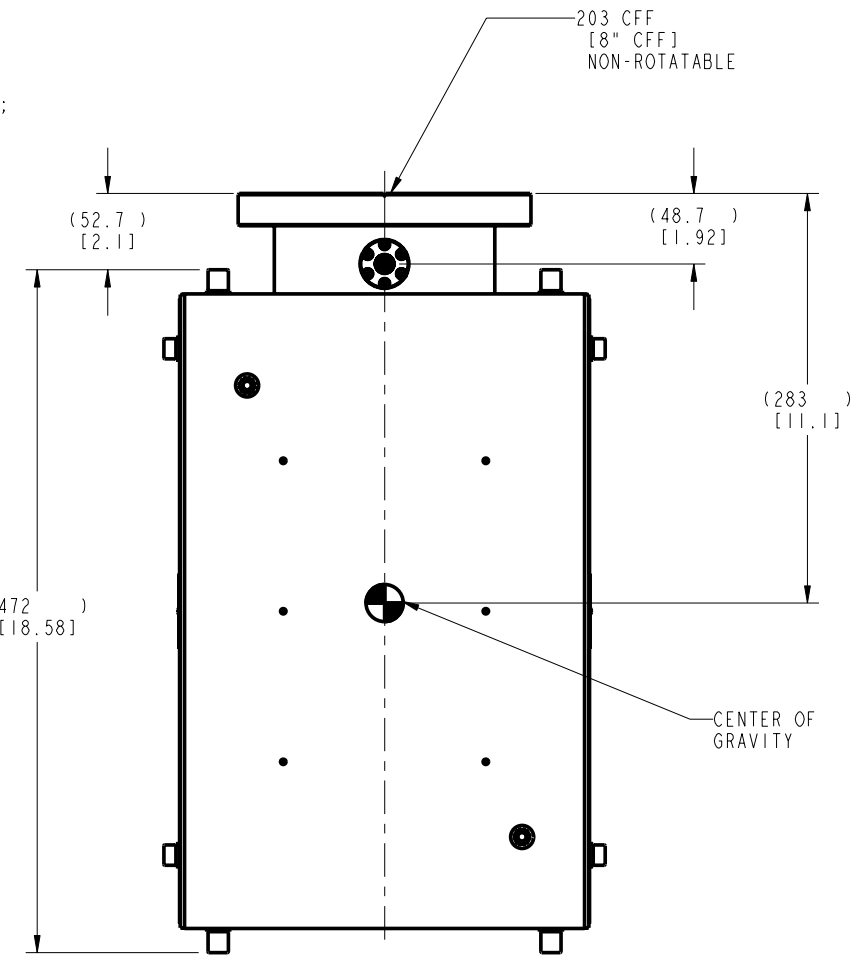
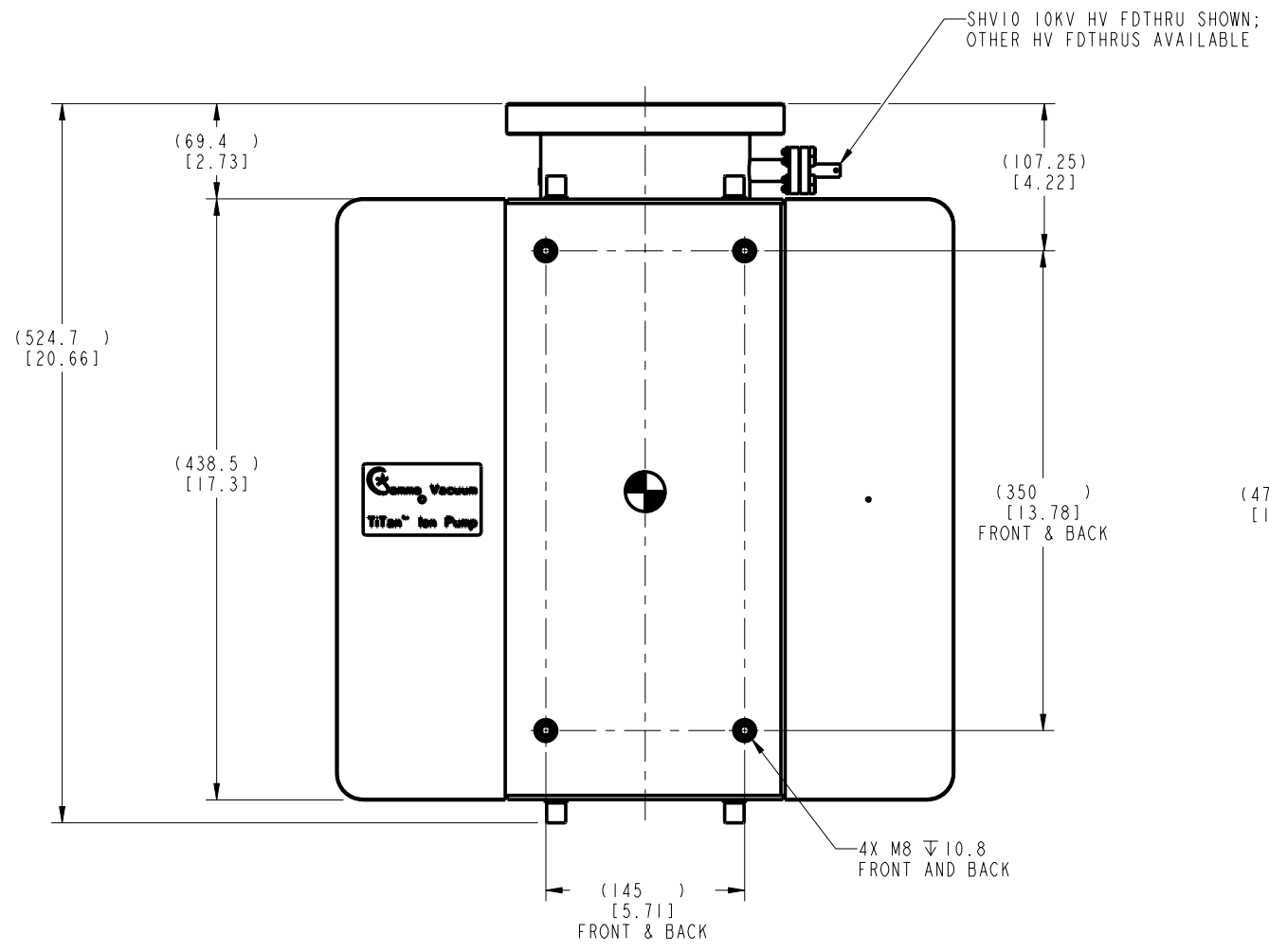
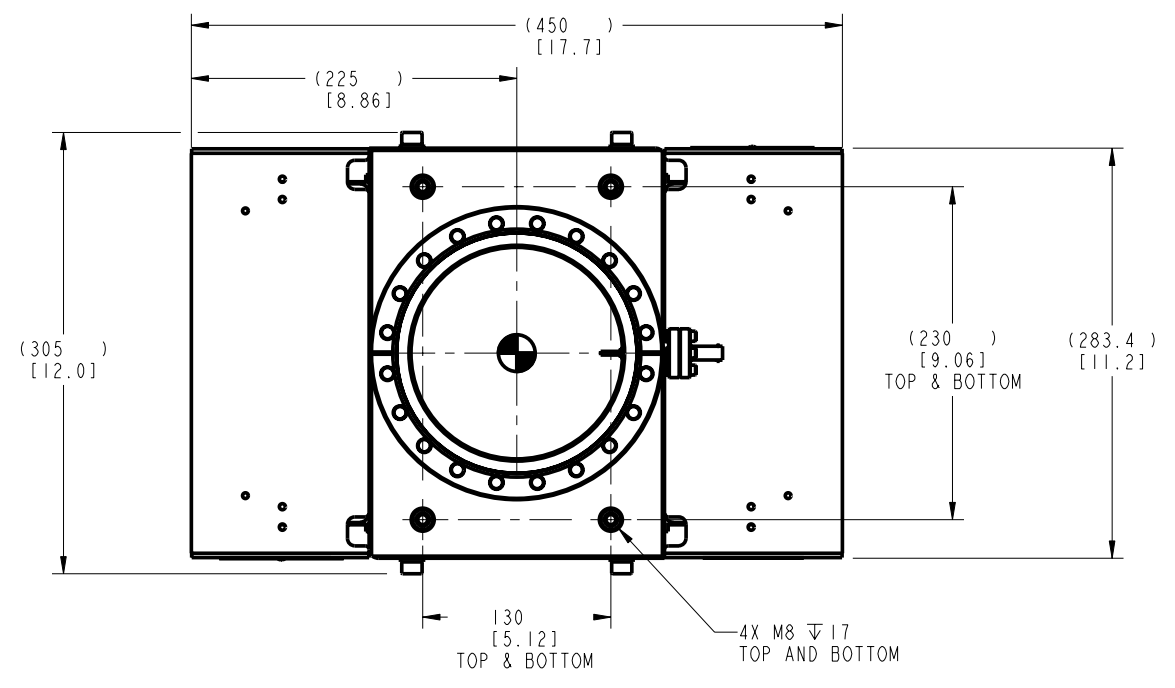


THIS DRAWING HAS BEEN GENERATED AND IS MAINTAINED BY PRO/ENGINEER CAD SYSTEM.



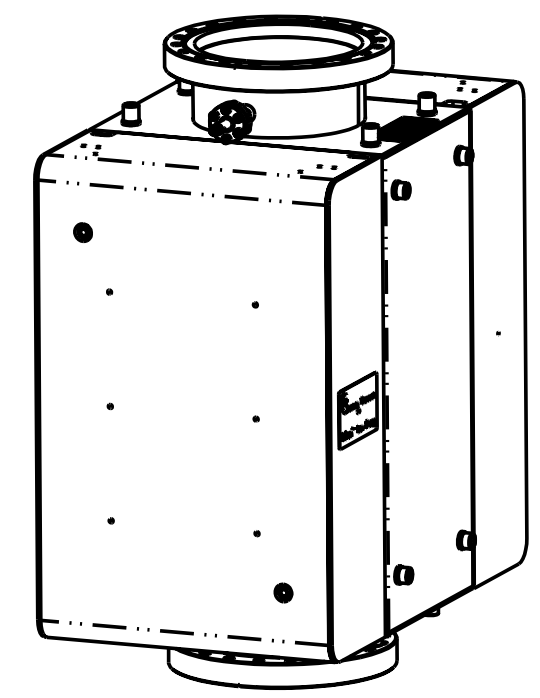
SCALE 0.375



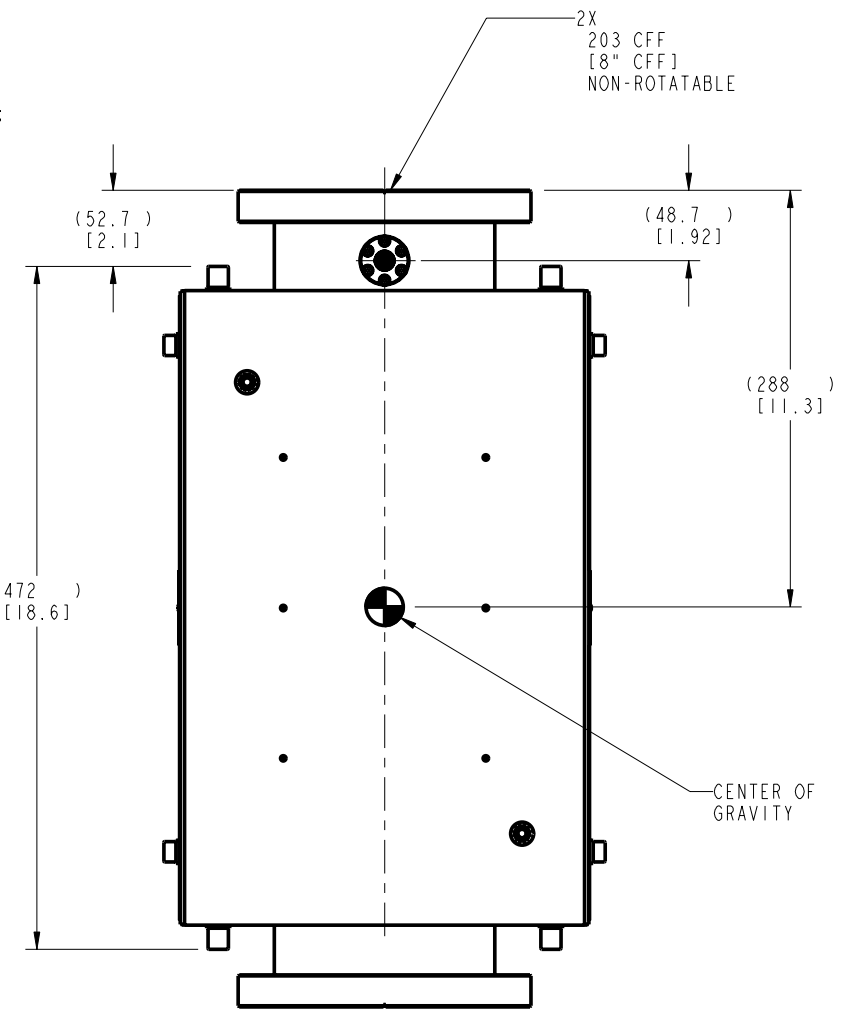
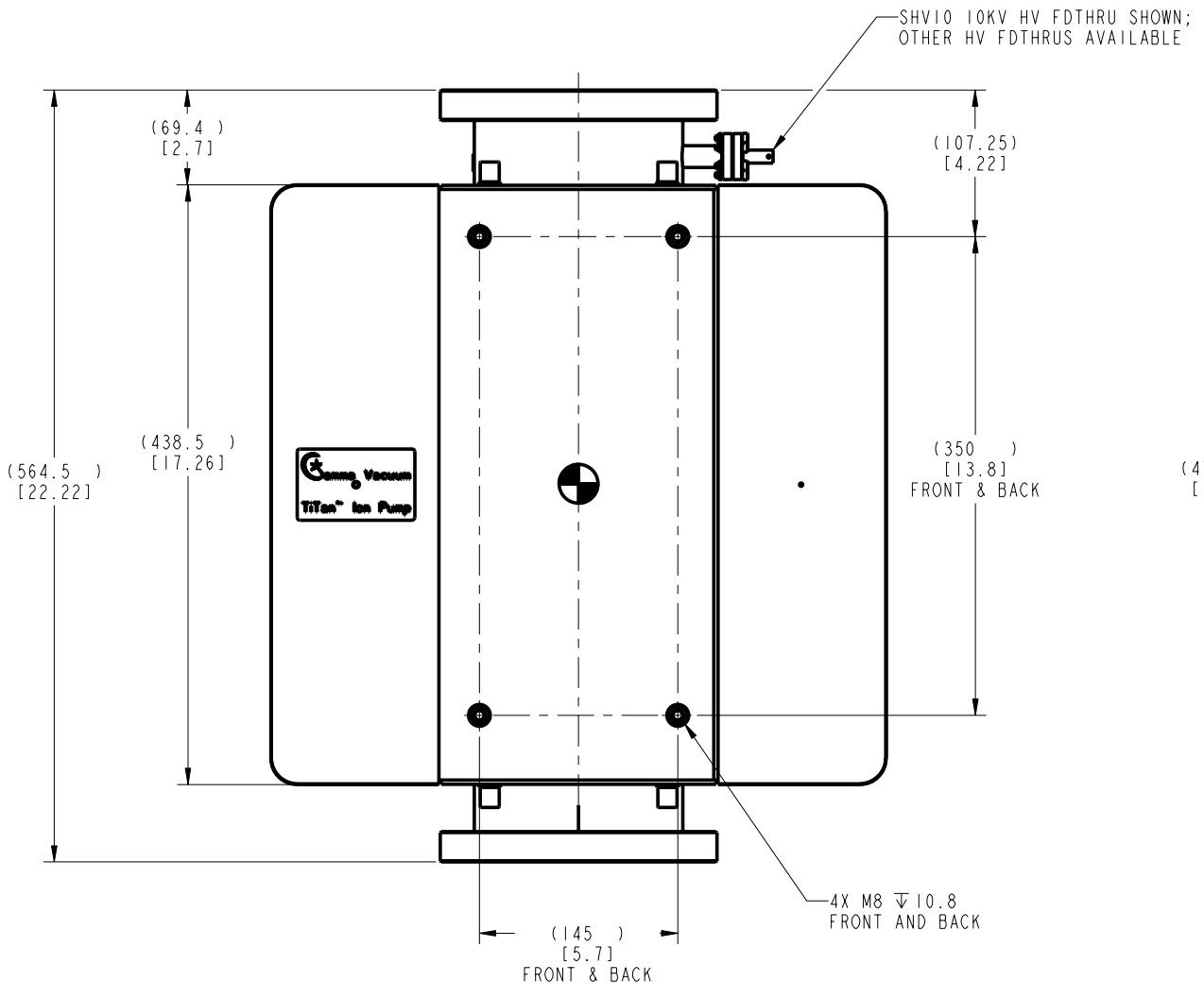
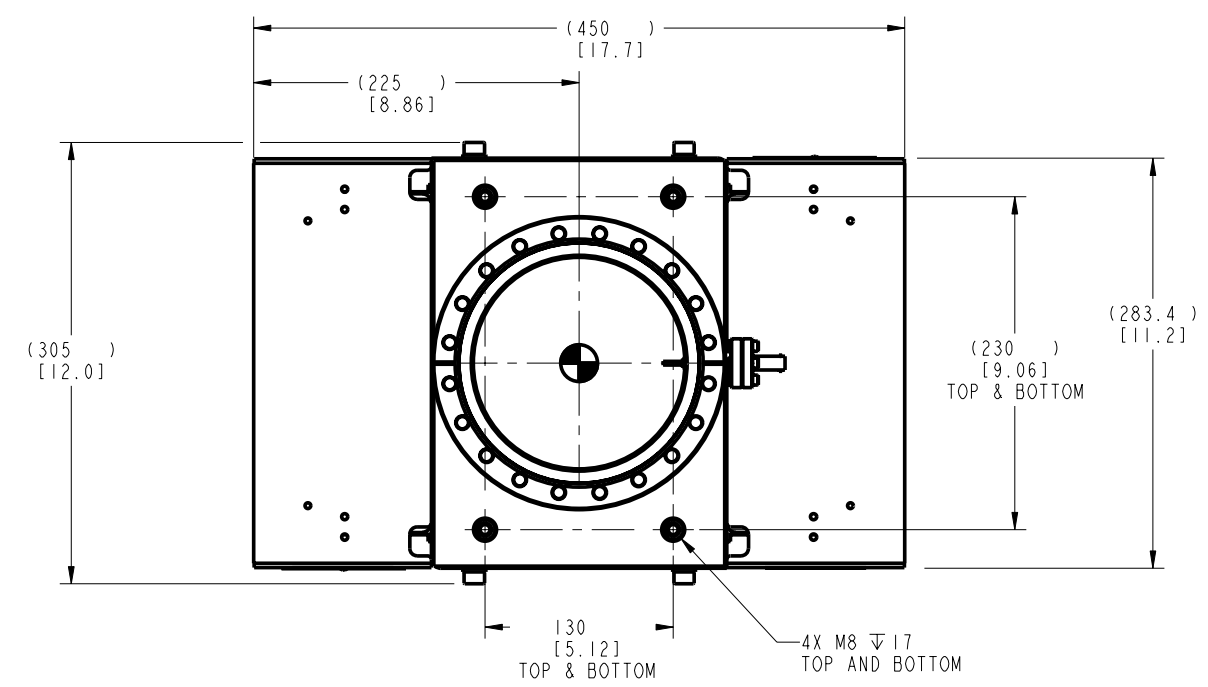
WEIGHT: 104kg [229 lbs]
REFERENCE DIMENSIONS: millimeters [inches]

METRIC THIRD ANGLE PROJECTION 	UNLESS OTHERWISE SPECIFIED: DIMENSIONS ARE IN MILLIMETERS SURFACE ROUGHNESS IN MICROMETERS TOLERANCES: LINEAR ±0.13 HOLES ±0.13 ANGULAR (±) MACHINED 0.5° FORMED 1° CHAMFER 5° MACHINED SURFACES 1.6 BREAK SHARP EDGES: R.2 OR 45° 0.2 MAX. INTERNAL MACH CORNER R.4 MAX.	DWG. NO. 360726 DATE 31-Dec-07 CHK MHC DATE 12-31-07 APPV RDG DATE 12-31-07 RI R GOLLA TOLERANCING AND DIMENSIONING PER ANSI Y14.5M - 1982 THIS DRAWING CONTAINS PROPRIETARY INFORMATION AND ANY REPRODUCTION, DISCLOSURE OR USE OF THIS DRAWING IS EXPRESSLY PROHIBITED EXCEPT AS AGREED TO IN WRITING.	Gamma Vacuum 12912 Ventura Court, No. 28 • Shakopee, MN TITLE 600TV-XX-8S-XX-N-N SIZE D DRAWING NO. 360726 REV. 1 SCALE 0.400 DETACHED <input type="checkbox"/> PL <input type="checkbox"/> SPEC SHT 3 OF 3
---	--	--	---

THIS DRAWING HAS BEEN GENERATED AND IS MAINTAINED BY PRO/ENGINEER CAD SYSTEM.



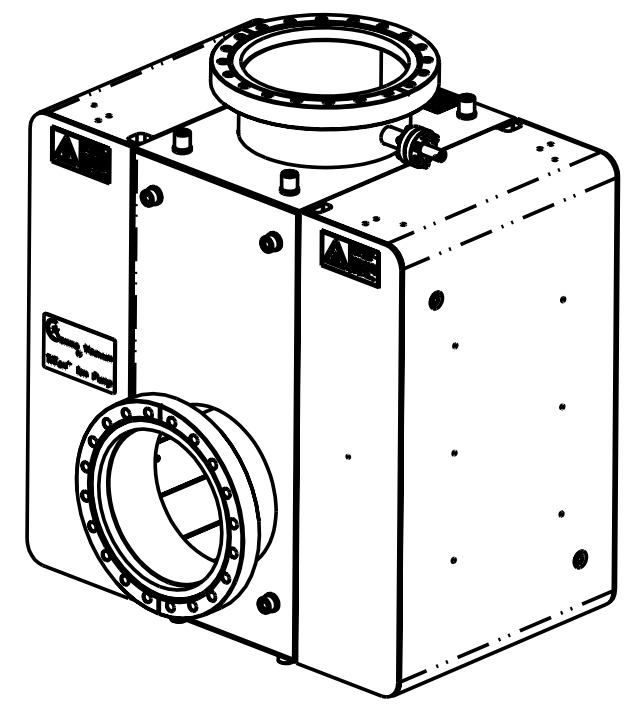
SCALE 0.312



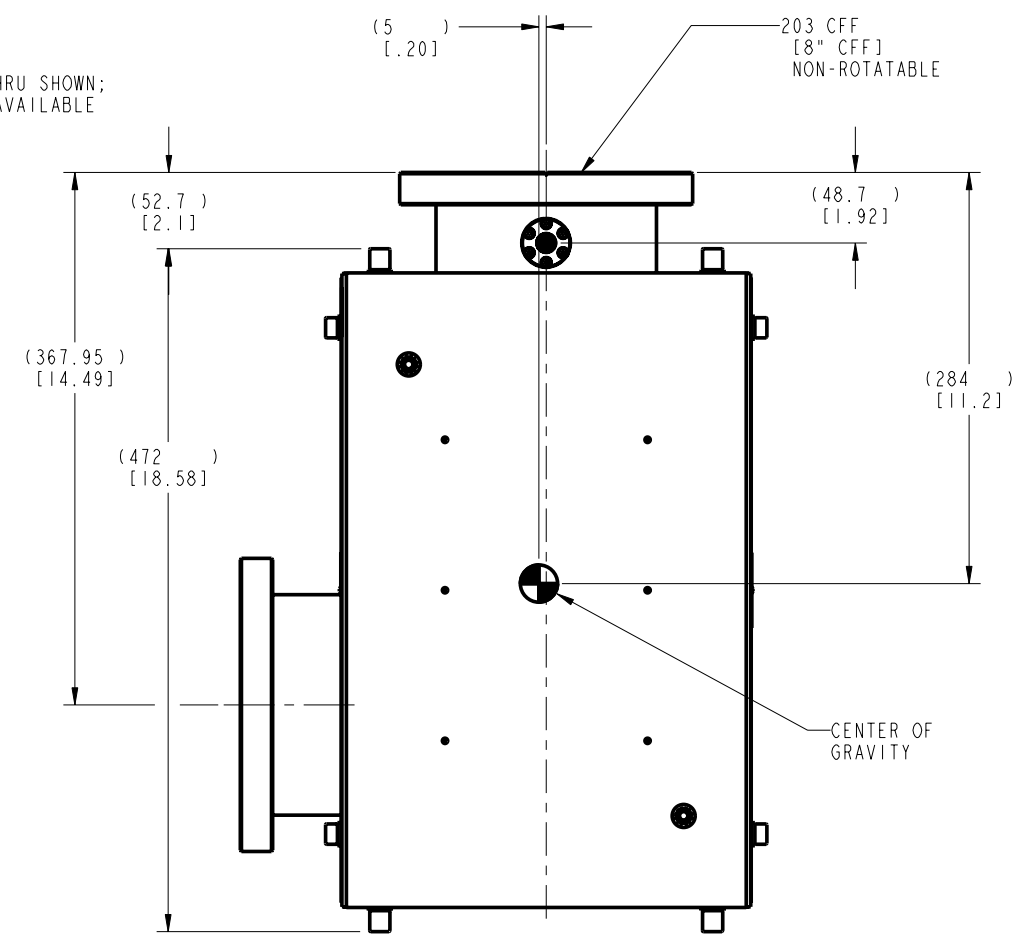
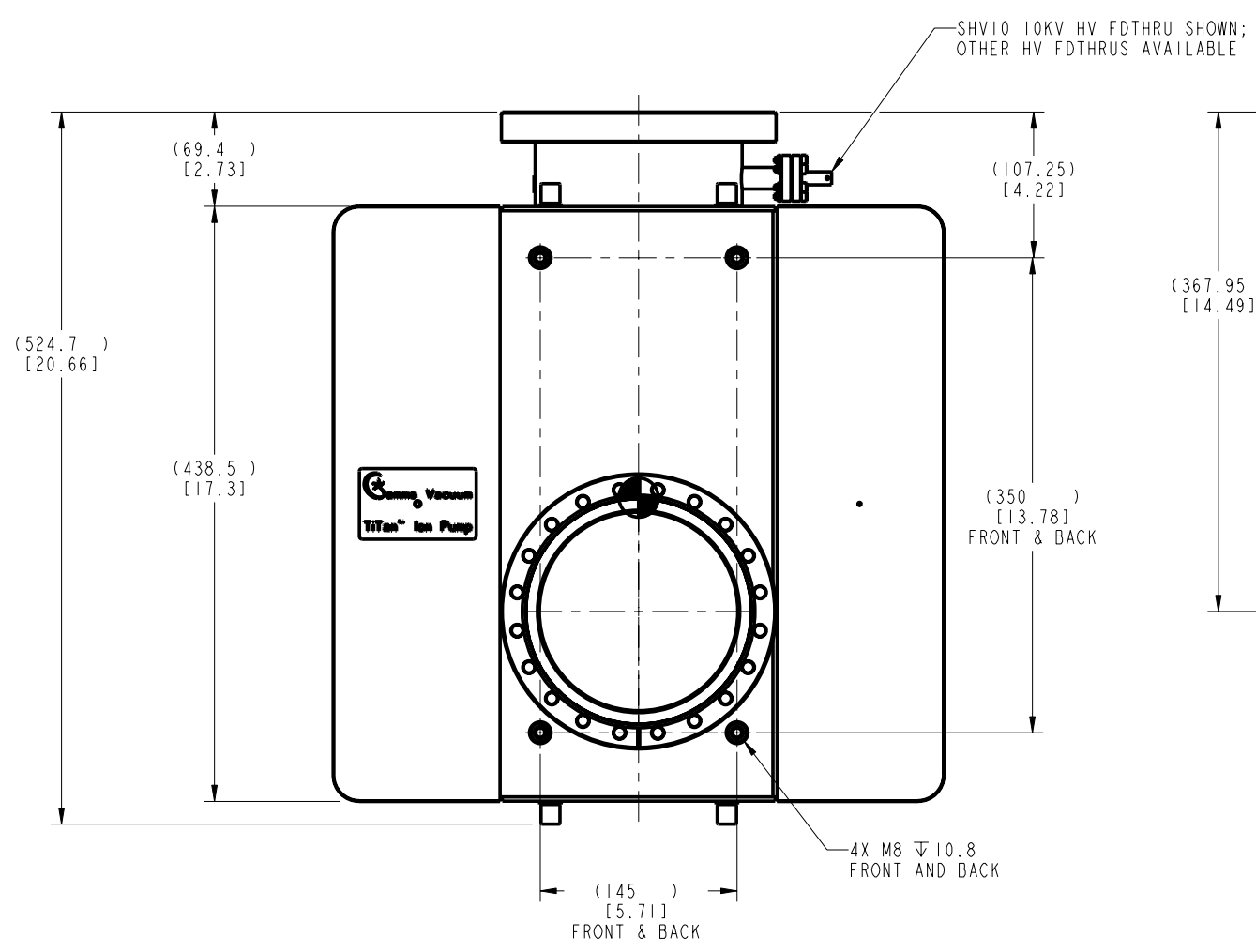
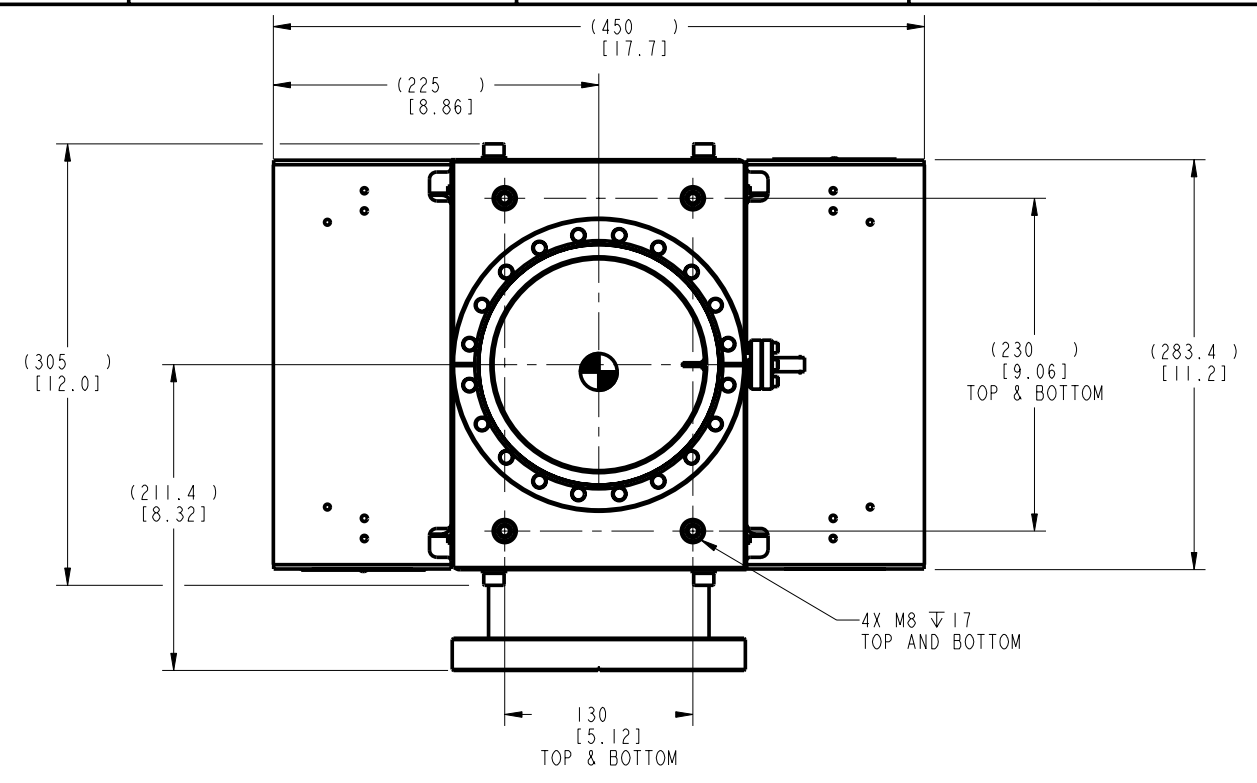
WEIGHT: 107 kg [235 lbs]
 REFERENCE DIMENSIONS: millimeters [inches]

METRIC THIRD ANGLE PROJECTION 	UNLESS OTHERWISE SPECIFIED: DIMENSIONS ARE IN MILLIMETERS SURFACE ROUGHNESS IN MICROMETERS TOLERANCES: LINEAR ±0.13 HOLES ±0.13 ANGULAR (±) MACHINED 0.5° FORMED 1° CHAMFER 5° MACHINED SURFACES 1.6 BREAK SHARP EDGES: R.2 OR 45° 0.2 MAX. INTERNAL MACH CORNER R.4 MAX.	DWG. NO. 360727 DATE 31-Dec-07 CHK MHC DATE 12-31-07 APPV RDG DATE 12-31-07 RI R GOLLA TOLERANCING AND DIMENSIONING PER ANSI Y14.5M - 1982 THIS DRAWING CONTAINS PROPRIETARY INFORMATION AND ANY REPRODUCTION, DISCLOSURE OR USE OF THIS DRAWING IS EXPRESSLY PROHIBITED EXCEPT AS AGREED TO IN WRITING.	Gamma Vacuum 12912 Ventura Court, No. 28 • Shakopee, MN TITLE 600TV-XX-8D-XX-N-N SIZE D DRAWING NO. 360727 SCALE 0.400 DETACHED <input type="checkbox"/> PL <input type="checkbox"/> SPEC SHT 3 OF 3
	REV. 1		

THIS DRAWING HAS BEEN GENERATED AND IS MAINTAINED BY PRO/ENGINEER CAD SYSTEM.



SCALE 0.312



WEIGHT: 107kg [235 lbs]
 REFERENCE DIMENSIONS: millimeters [inches]

METRIC THIRD ANGLE PROJECTION 	UNLESS OTHERWISE SPECIFIED: DIMENSIONS ARE IN MILLIMETERS SURFACE ROUGHNESS IN MICROMETERS TOLERANCES: LINEAR ±0.13 HOLES ±0.13 ANGULAR (±) MACHINED 0.5° FORMED 1° CHAMFER 5° MACHINED SURFACES 1.6 BREAK SHARP EDGES: R.2 OR 45° 0.2 MAX. INTERNAL MACH CORNER R.4 MAX.	DWG: R GOLLA DATE: 31-Dec-07 CHK: MHC DATE: 12-31-07 APPV: RDG DATE: 12-31-07 RT: R GOLLA TOLERANCING AND DIMENSIONING PER ANSI Y14.5M - 1982 THIS DRAWING CONTAINS PROPRIETARY INFORMATION AND ANY REPRODUCTION, DISCLOSURE OR USE OF THIS DRAWING IS EXPRESSLY PROHIBITED EXCEPT AS AGREED TO IN WRITING.	Gamma Vacuum 12912 Ventura Court, No. 28 • Shakopee, MN TITLE: 600TV-XX-8P-XX-N-N SIZE: DRAWING NO. 360728 REV. 1 SCALE: 0.400 DETACHED <input type="checkbox"/> PL <input type="checkbox"/> SPEC SHT 3 OF 3
---	--	--	---