

4

3

2

DWG. NO. 300T-XX-8S SH. 2 REV. A

THIS DRAWING HAS BEEN GENERATED AND IS MAINTAINED BY PRO/ENGINEER CAD SYSTEM.

D

C

B

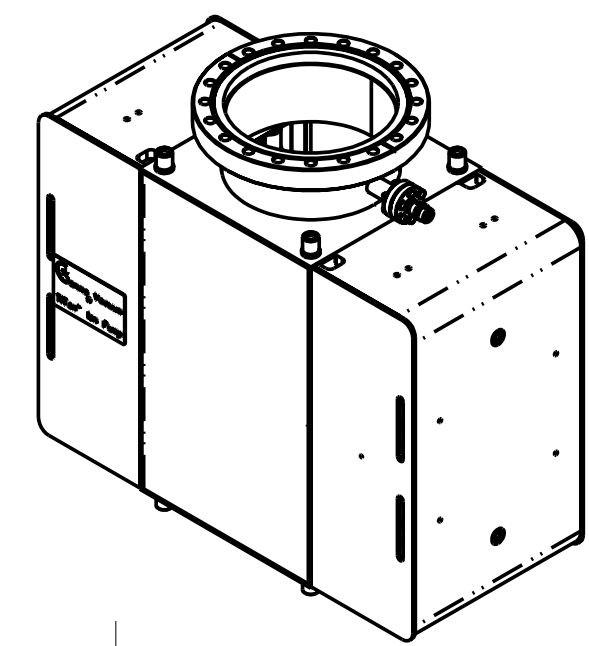
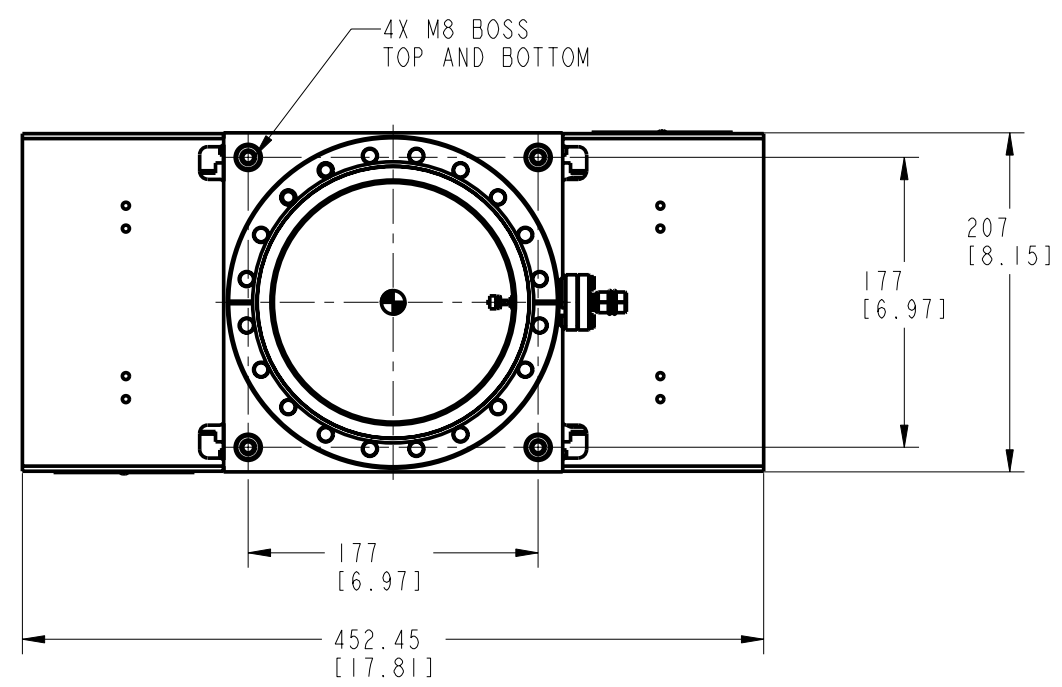
A

D

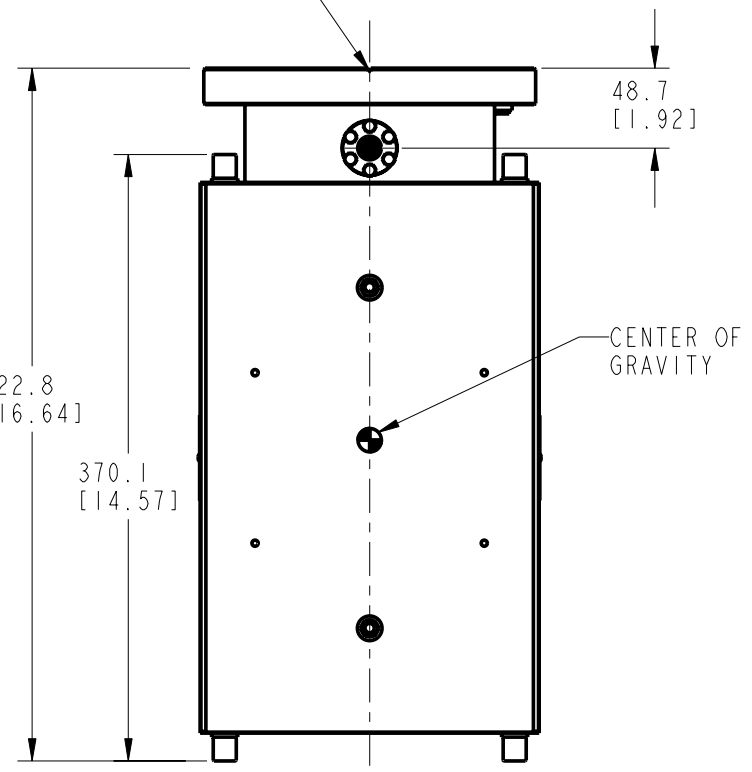
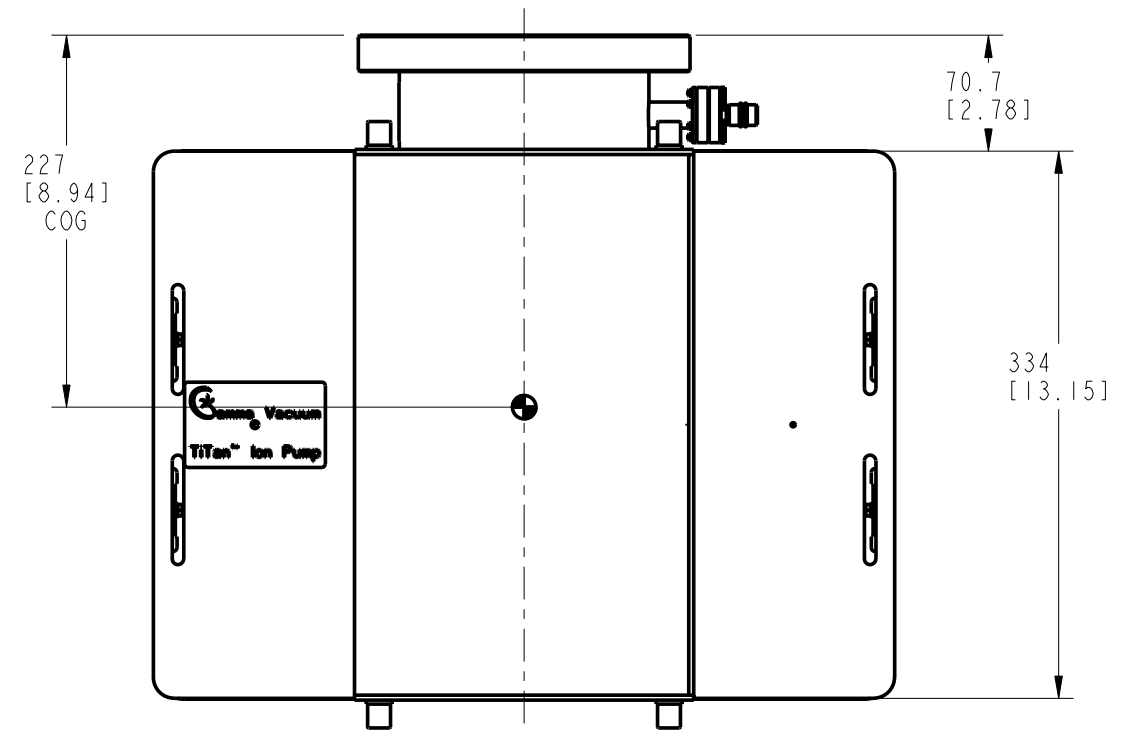
C

B

A



203 CFF [8" CFF] NON-ROTATABLE



ALL DIMENSIONS ARE FOR REFERENCE ONLY

4

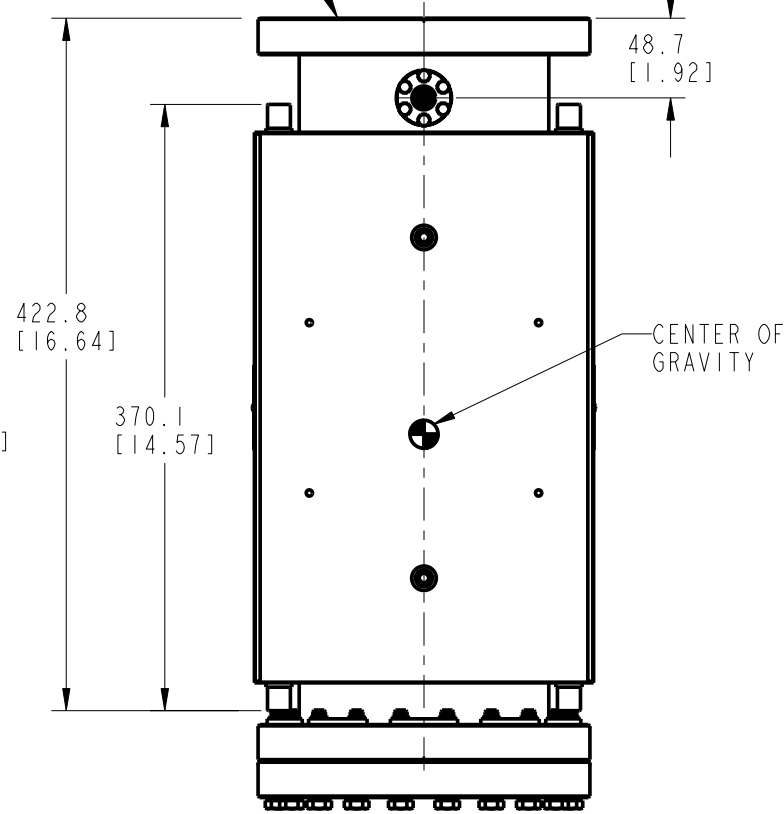
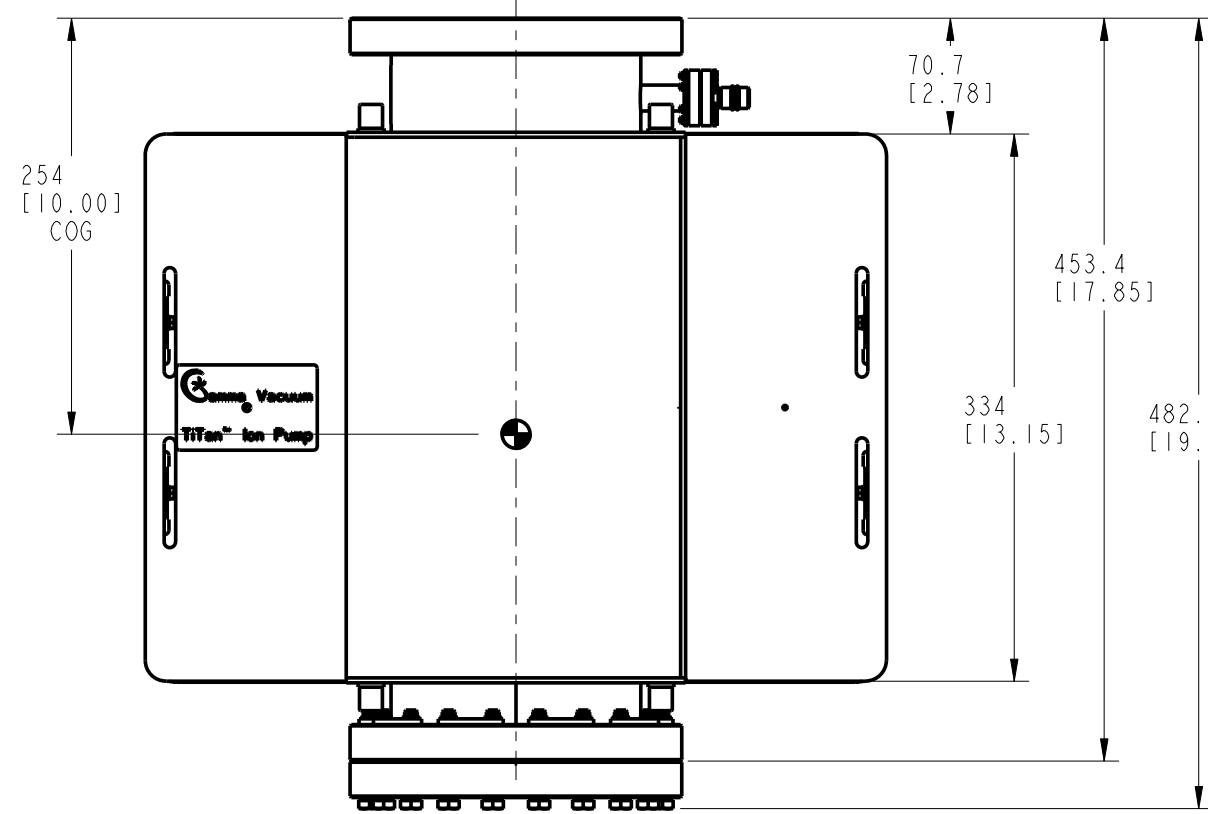
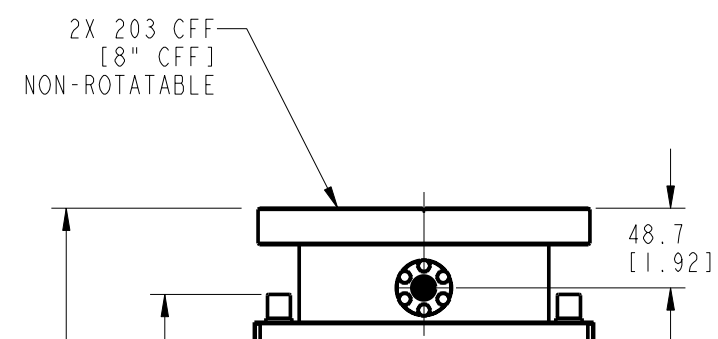
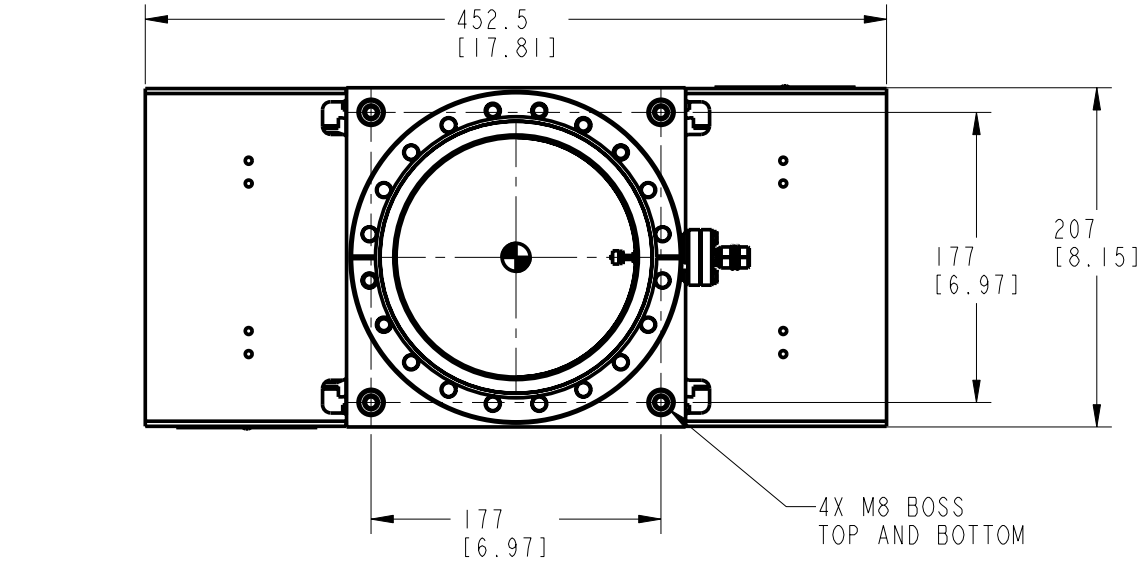
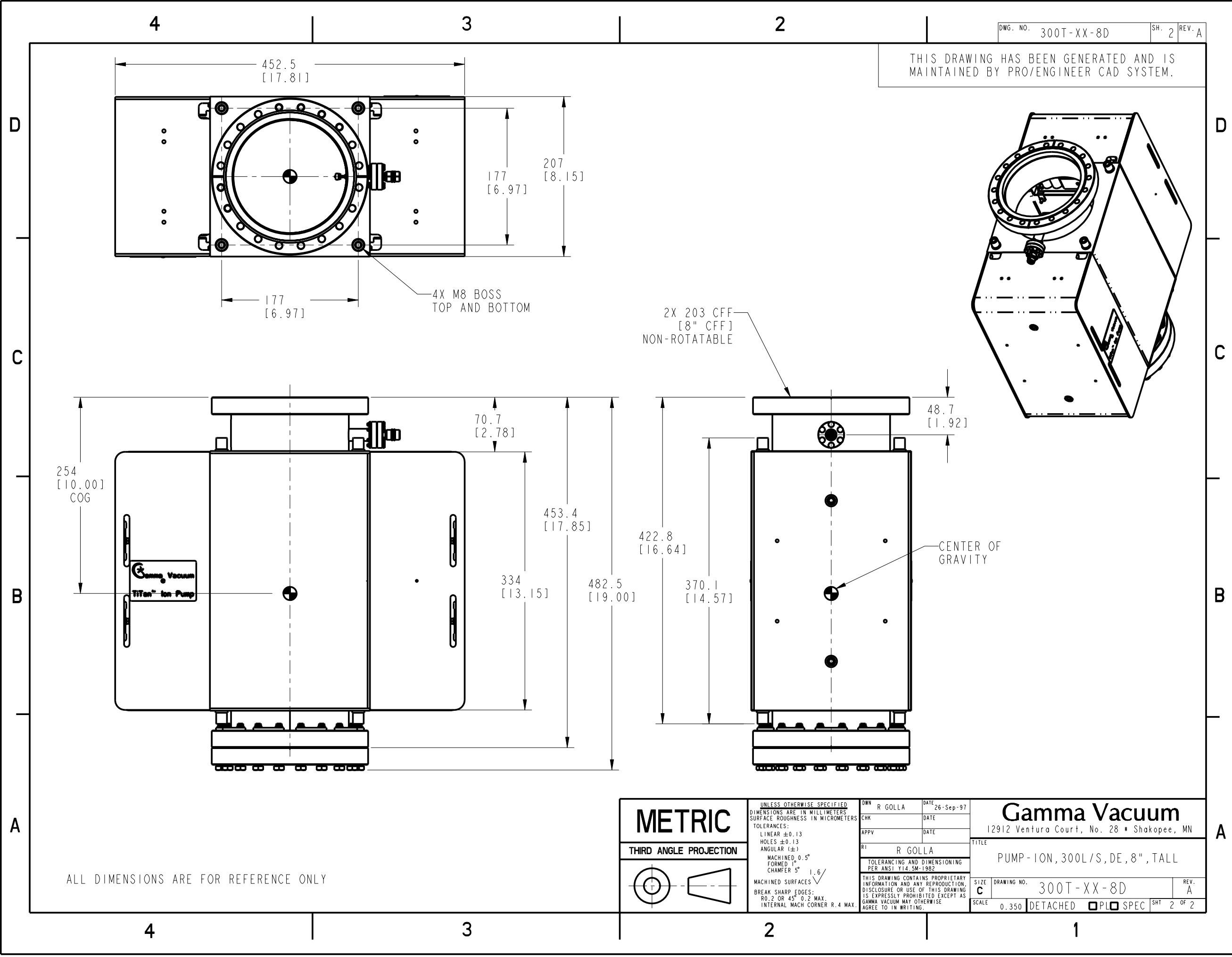
3

2

1

|                        |   |             |  |  |
|------------------------|---|-------------|--|--|
| <b>METRIC</b>          | UNLESS OTHERWISE SPECIFIED<br>DIMENSIONS ARE IN MILLIMETERS<br>SURFACE ROUGHNESS IN MICROMETERS           | DWN R GOLLA | DATE 26-Sep-97   | <b>Gamma Vacuum</b><br>12912 Ventura Court, No. 28 * Shakopee, MN                        |
|                        | TOLERANCES:<br>LINEAR ±0.13<br>HOLES ±0.13<br>ANGULAR (±)<br>MACHINED 0.5°<br>FORMED 1°<br>CHAMFER 5° 1.6 | CHK         | DATE   |  |
| THIRD ANGLE PROJECTION | MACHINED SURFACES<br>BREAK SHARP EDGES:<br>R0.2 OR 45° 0.2 MAX.<br>INTERNAL MACH CORNER R.4 MAX.          | APPV        | DATE   | TITLE<br>PUMP-ION, 300L/S, SE, 8", TALL  |
|                        |   | R1          | TOLERANCING AND DIMENSIONING<br>PER ANSI Y14.5M-1982   | SIZE C   |
|                        |   |             | THIS DRAWING CONTAINS PROPRIETARY<br>INFORMATION AND ANY REPRODUCTION,<br>DISCLOSURE OR USE OF THIS DRAWING<br>IS EXPRESSLY PROHIBITED EXCEPT AS<br>GAMMA VACUUM MAY OTHERWISE<br>AGREE TO IN WRITING. | DRAWING NO. 300T-XX-8S   |
|                        |   |             |  | SCALE 0.350 DETACHED <input type="checkbox"/> PLSPEC <input type="checkbox"/> SHT 2 OF 2 |

THIS DRAWING HAS BEEN GENERATED AND IS MAINTAINED BY PRO/ENGINEER CAD SYSTEM.



ALL DIMENSIONS ARE FOR REFERENCE ONLY

**METRIC**

THIRD ANGLE PROJECTION

UNLESS OTHERWISE SPECIFIED  
DIMENSIONS ARE IN MILLIMETERS  
SURFACE ROUGHNESS IN MICROMETERS

TOLERANCES:  
LINEAR ±0.13  
HOLES ±0.13  
ANGULAR (±)  
MACHINED 0.5°  
FORMED 1°  
CHAMFER 5° 1.6

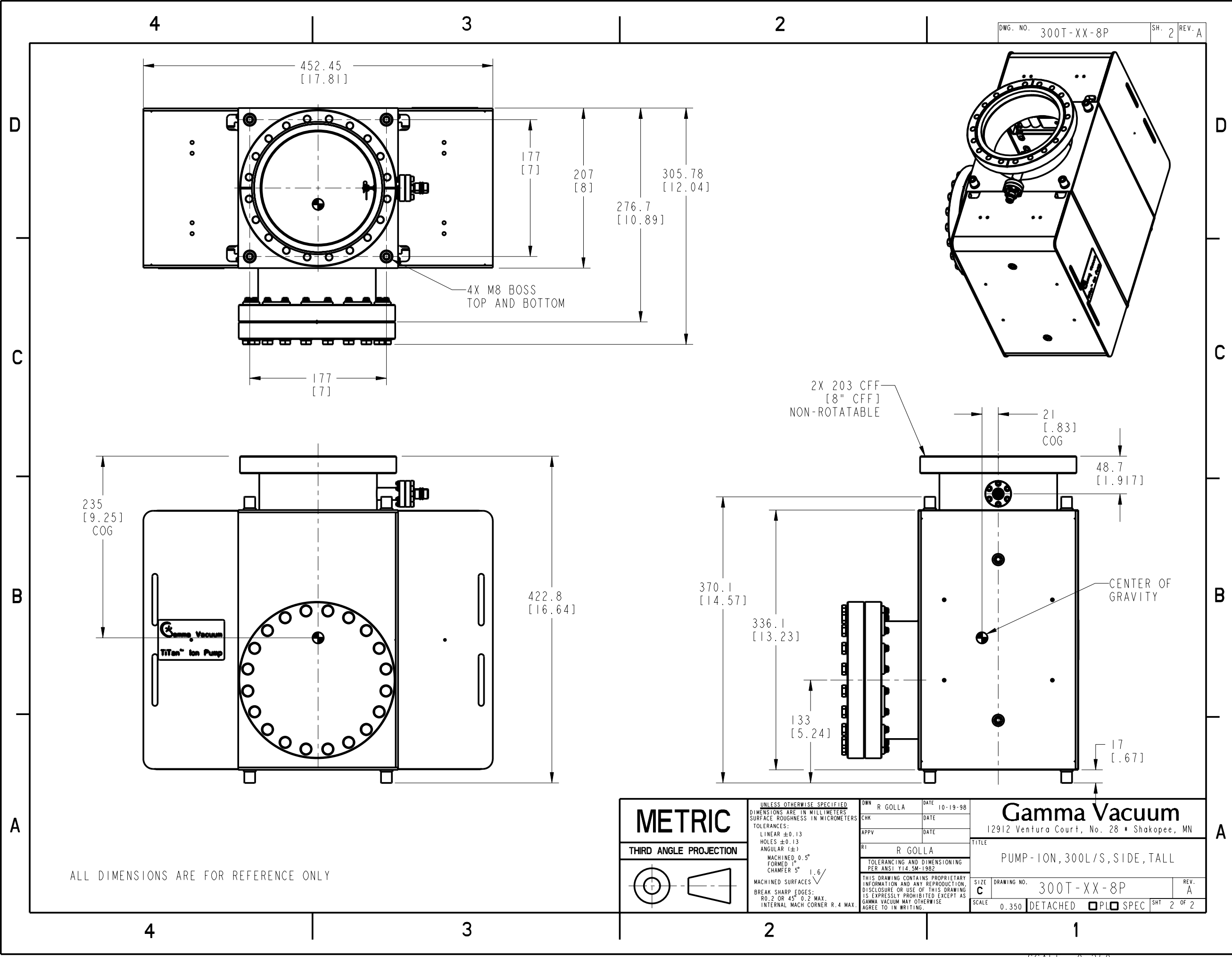
MACHINED SURFACES  
BREAK SHARP EDGES:  
R0.2 OR 45° 0.2 MAX.  
INTERNAL MACH. CORNER R.4 MAX.

|   |         |      |           |
|---|---------|------|-----------|
| DWN   | R GOLLA | DATE | 26-Sep-97 |
| CHK   |         | DATE |           |
| APPV  |         | DATE |           |
| RI  | R GOLLA |      |           |
| TOLERANCING AND DIMENSIONING PER ANSI Y14.5M-1982   |         |      |           |
| THIS DRAWING CONTAINS PROPRIETARY INFORMATION AND ANY REPRODUCTION, DISCLOSURE OR USE OF THIS DRAWING IS EXPRESSLY PROHIBITED EXCEPT AS AGREED TO IN WRITING. |         |      |           |

**Gamma Vacuum**  
12912 Ventura Court, No. 28 \* Shakopee, MN

TITLE  
PUMP-ION, 300L/S, DE, 8", TALL

|       |       |             |                                 |      |        |
|-------|-------|-------------|---------------------------------|------|--------|
| SIZE  | C     | DRAWING NO. | 300T-XX-8D                      | REV. | A      |
| SCALE | 0.350 | DETACHED    | <input type="checkbox"/> PLSPEC | SHT  | 2 OF 2 |



ALL DIMENSIONS ARE FOR REFERENCE ONLY

|                        |   |  |  |               |
|------------------------|---|--|--|---------------|
| <b>METRIC</b>          | UNLESS OTHERWISE SPECIFIED<br>DIMENSIONS ARE IN MILLIMETERS<br>SURFACE ROUGHNESS IN MICROMETERS   |  | DWN R GOLLA  | DATE 10-19-98 |
|                        | TOLERANCES:<br>LINEAR ±0.13<br>HOLES ±0.13<br>ANGULAR (±)<br>MACHINED 0.5°<br>FORMED 1°<br>CHAMFER 5° 1.6   |  | CHK  | DATE          |
| THIRD ANGLE PROJECTION | MACHINED SURFACES<br>BREAK SHARP EDGES:<br>R0.2 OR 45° 0.2 MAX.<br>INTERNAL MACH. CORNER R.4 MAX.   |  | APPV   | DATE          |
|                        | THIS DRAWING CONTAINS PROPRIETARY INFORMATION AND ANY REPRODUCTION, DISCLOSURE OR USE OF THIS DRAWING IS EXPRESSLY PROHIBITED EXCEPT AS AGREED TO IN WRITING. |  | R1   | R GOLLA       |
|                        | TOLERANCING AND DIMENSIONING PER ANSI Y14.5M-1982   |  | TITLE<br><b>Gamma Vacuum</b><br>12912 Ventura Court, No. 28 * Shakopee, MN                               |               |
|                        |   |  | SIZE<br>C  |               |
|                        |   |  | DRAWING NO. 300T-XX-8P   |               |
|                        |   |  | SCALE 0.350 DETACHED <input type="checkbox"/> PLO <input type="checkbox"/> SPEC <input type="checkbox"/> |               |
|                        |   |  | SHT 2 OF 2   |               |