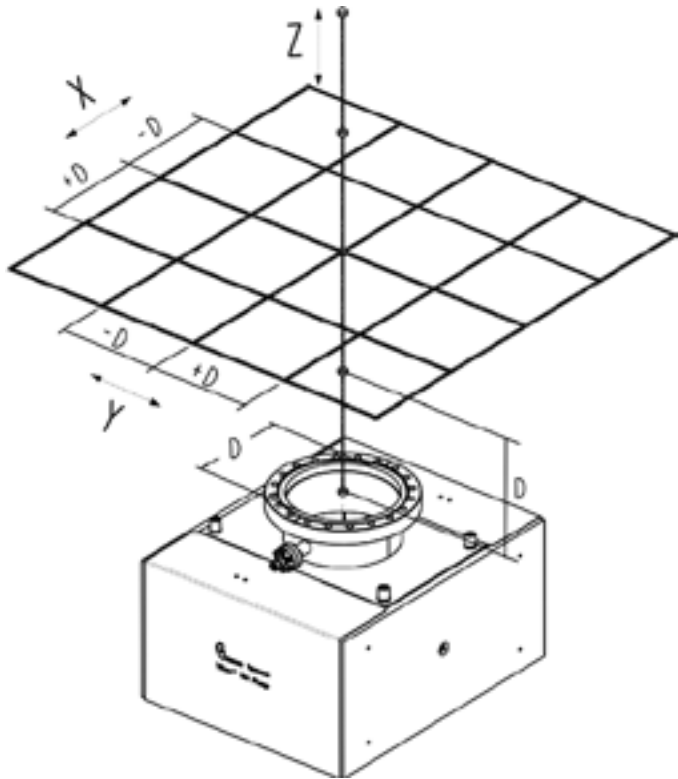


# Titan 400LX



\*Diagram for representation only and may not mimic pump style



Ion Pump Magnetic Field Data  
 Collected in accordance with ISO/DIN 28429  
 Ion Pump Style\*: 400LX, Flange: 8" CFF (NW150),  
 D: 6" (152.4 mm), Data Units: Gauss

		Z = 0				
		-2D	-D	0	D	2D
Y	-2D	1.380	1.717	1.093	1.041	0.655
	-D	2.367	5.660	3.478	1.274	0.302
	0	1.874	3.746	1.097	1.110	0.516
	D	0.802	1.773	1.650	2.177	0.815
	2D	0.333	0.604	0.460	0.972	0.540

		Z = D				
		-2D	-D	0	D	2D
Y	-2D	0.933	0.943	0.684	0.348	0.643
	-D	1.141	1.338	0.730	0.499	0.281
	0	0.922	1.074	0.857	0.503	0.443
	D	0.936	0.505	0.545	0.577	0.722
	2D	0.505	0.348	0.427	0.308	0.605

		Z = 2D				
		-2D	-D	0	D	2D
Y	-2D	0.803	0.637	0.815	0.594	0.431
	-D	0.737	0.622	0.705	0.559	0.353
	0	0.727	0.731	0.683	0.512	0.317
	D	0.633	0.490	0.670	0.544	0.413
	2D	0.569	0.550	0.603	0.323	0.571

		Z = 3D				
		-2D	-D	0	D	2D
Y	-2D	0.647	0.617	0.664	0.428	0.284
	-D	0.652	0.635	0.607	0.520	0.413
	0	0.666	0.619	0.680	0.471	0.290
	D	0.658	0.628	0.588	0.413	0.450
	2D	0.580	0.537	0.533	0.367	0.430

		Z = 4D				
		-2D	-D	0	D	2D
Y	-2D	0.363	0.477	0.531	0.590	0.292
	-D	0.590	0.561	0.593	0.500	0.395
	0	0.593	0.571	0.615	0.315	0.327
	D	0.567	0.641	0.532	0.473	0.385
	2D	0.525	0.531	0.553	0.448	0.403