

ALL DIMENSIONS ARE FOR REFERENCE ONLY.

METRIC	UNLESS OTHERWISE SPECIFIED DIMENSIONS ARE IN MILLIMETERS SURFACE ROUGHNESS IN MICROMETERS	DWN R GOLLA	DATE 02-Aug-04	Gamma Vacuum 12912 Ventura Court, No. 28 * Shakopee, MN
	TOLERANCES: LINEAR ±0.13 HOLES ±0.13 ANGULAR (±) MACHINED 0.5° FORMED 1° CHAMFER 5°	CHK	DATE	
THIRD ANGLE PROJECTION	MACHINED SURFACES BREAK SHARP EDGES: R0.2 OR 45° 0.2 MAX. INTERNAL MACH CORNER R.4 MAX.	APPV	DATE	TITLE ION PUMP, 200L/S, DE, 6" CFF
	THIS DRAWING CONTAINS PROPRIETARY INFORMATION AND ANY REPRODUCTION, DISCLOSURE OR USE OF THIS DRAWING IS EXPRESSLY PROHIBITED EXCEPT AS AGREED TO IN WRITING.	R1 R GOLLA	TOLERANCING AND DIMENSIONING PER ANSI Y14.5M-1982	SIZE C
				DRAWING NO. 200L-XX-6D
				SCALE 0.330 DETACHED <input type="checkbox"/> PLO <input type="checkbox"/> SPEC <input type="checkbox"/>
				REV. 1
				SHT 2 OF 2

4

3

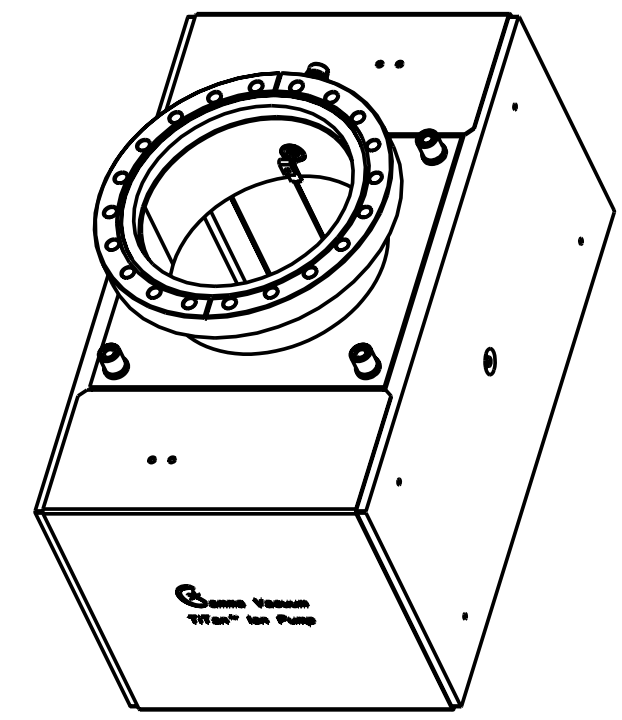
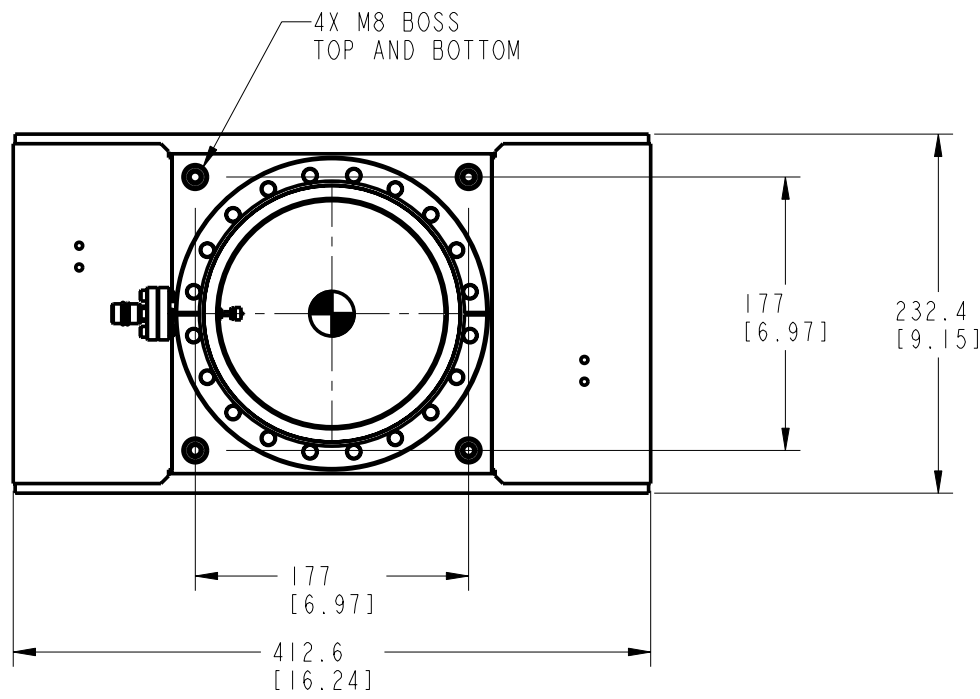
2

DWG. NO. 200L-XX-8S

SH. 2 REV. A

D

D

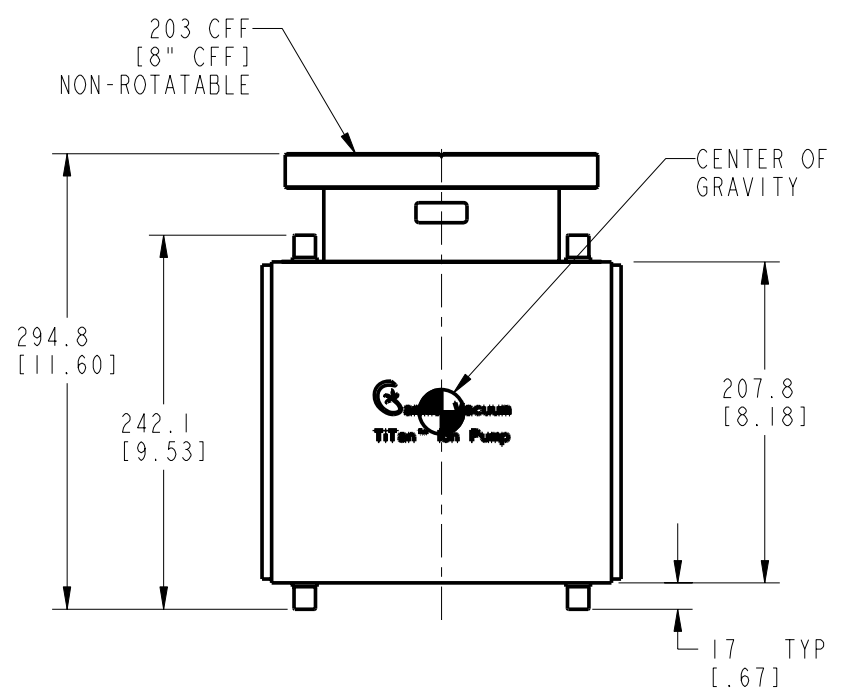
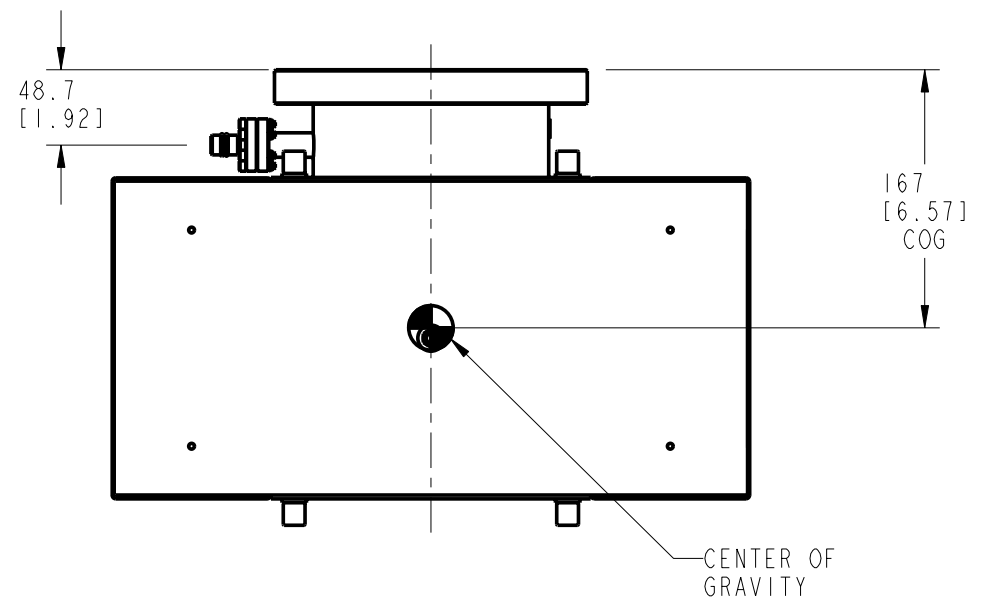


C

C

B

B



A

A

ALL DIMENSIONS ARE FOR REFERENCE ONLY.

4

3

2

1

METRIC	UNLESS OTHERWISE SPECIFIED DIMENSIONS ARE IN MILLIMETERS SURFACE ROUGHNESS IN MICROMETERS	DWN R GOLLA	DATE 6-14-06	Gamma Vacuum 12912 Ventura Court, No. 28 * Shakopee, MN
	TOLERANCES: LINEAR ±0.13 HOLES ±0.13 ANGULAR (±) MACHINED 0.5° FORMED 1° CHAMFER 5° 1.6	CHK MHC	DATE 6-14-06	
THIRD ANGLE PROJECTION	MACHINED SURFACES BREAK SHARP EDGES: R0.2 OR 45° 0.2 MAX. INTERNAL MACH CORNER R.4 MAX.	APPV RDG	DATE 6-14-06	TITLE PUMP-ION, 200 L/S, SE, 8"
	THIS DRAWING CONTAINS PROPRIETARY INFORMATION AND ANY REPRODUCTION, DISCLOSURE OR USE OF THIS DRAWING IS EXPRESSLY PROHIBITED EXCEPT AS AGREED TO IN WRITING.	R1 R GOLLA	TOLERANCING AND DIMENSIONING PER ANSI Y14.5M-1982	SIZE C
				DRAWING NO. 200L-XX-8S
				SCALE 0.330 DETACHED <input type="checkbox"/> PLO SPEC SHT 2 OF 2

4

3

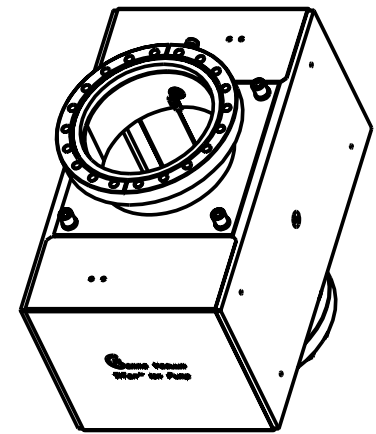
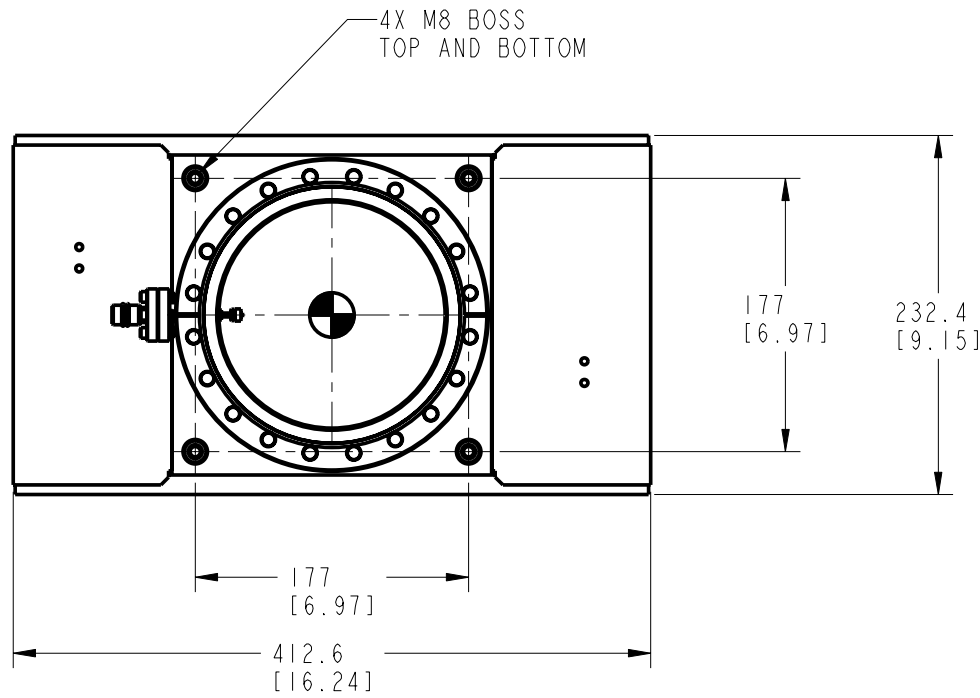
2

DWG. NO. 200L-XX-8D SH. 2 REV. A

THIS DRAWING HAS BEEN GENERATED AND IS MAINTAINED BY PRO/ENGINEER CAD SYSTEM.

D

D



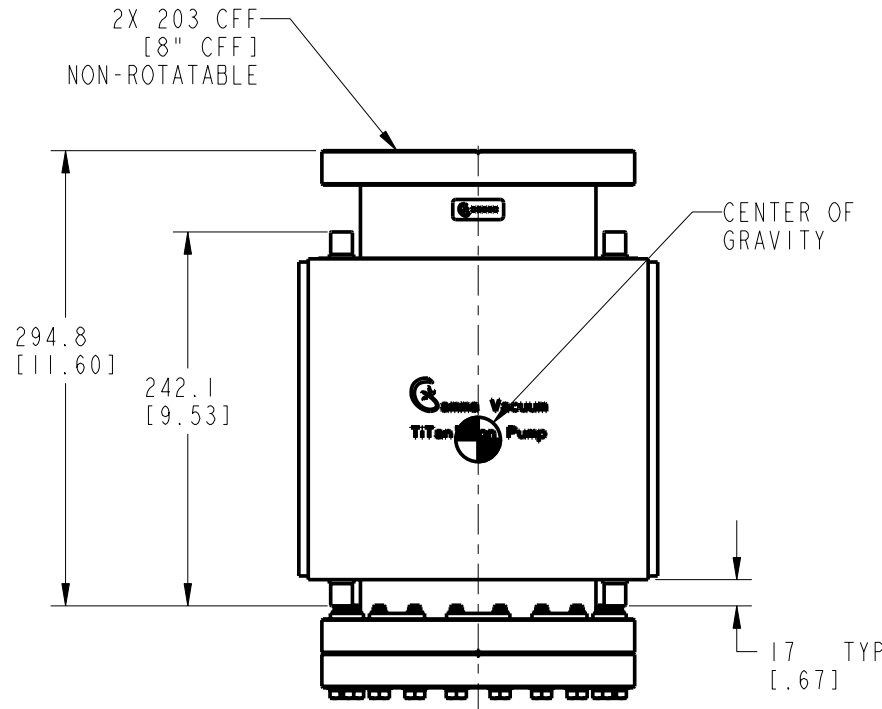
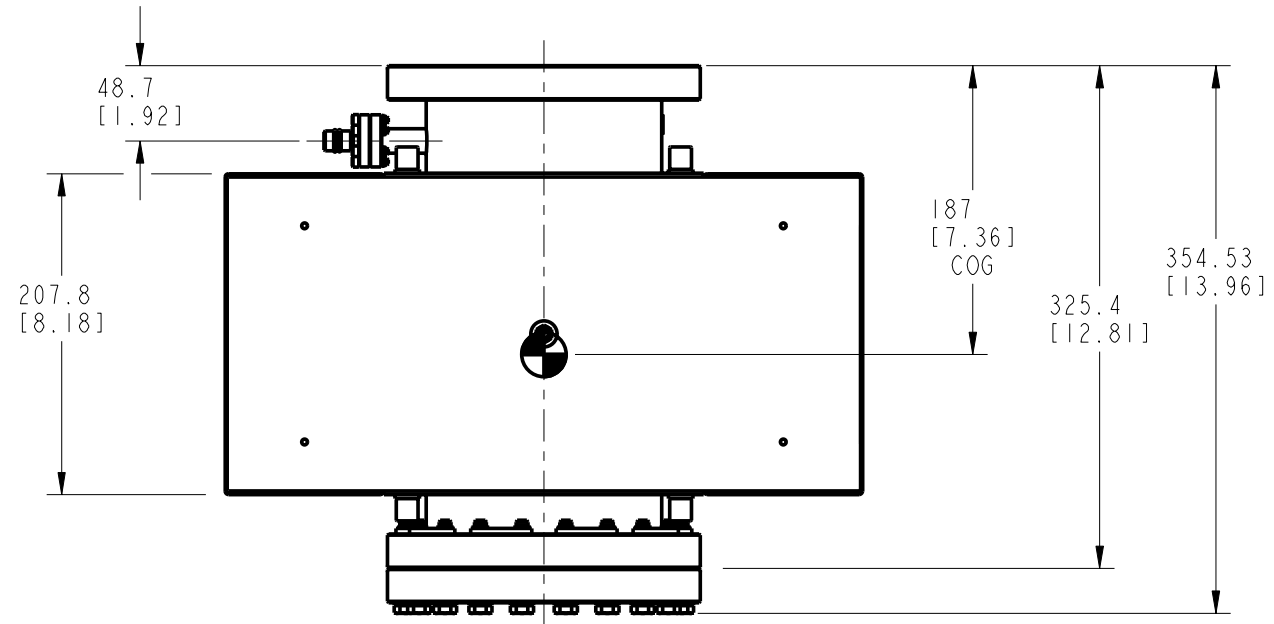
SCALE 0.200

C

C

B

B



A

A

ALL DIMENSIONS ARE FOR REFERENCE ONLY.

4

3

2

1

METRIC THIRD ANGLE PROJECTION 	UNLESS OTHERWISE SPECIFIED DIMENSIONS ARE IN MILLIMETERS SURFACE ROUGHNESS IN MICROMETERS TOLERANCES: LINEAR ±0.13 HOLES ±0.13 ANGULAR (±) MACHINED 0.5° FORMED 1° CHAMFER 5° 1.6 MACHINED SURFACES BREAK SHARP EDGES: R0.2 OR 45° 0.2 MAX. INTERNAL MACH. CORNER R.4 MAX.	DWN R GOLLA DATE 6-14-06 CHR MHC DATE 6-14-06 APPV RDG DATE 6-14-06 RI R GOLLA TOLERANCING AND DIMENSIONING PER ANSI Y14.5M-1982 THIS DRAWING CONTAINS PROPRIETARY INFORMATION AND ANY REPRODUCTION, DISCLOSURE OR USE OF THIS DRAWING IS EXPRESSLY PROHIBITED EXCEPT AS GAMMA VACUUM MAY OTHERWISE AGREE TO IN WRITING.	Gamma Vacuum 12912 Ventura Court, No. 28 * Shakopee, MN TITLE PUMP-ION, 200 L/S, DE, 8" SIZE C DRAWING NO. 200L-XX-8D REV. A SCALE 0.330 DETACHED <input type="checkbox"/> PLO SPEC SHT 2 OF 2
---	---	---	---