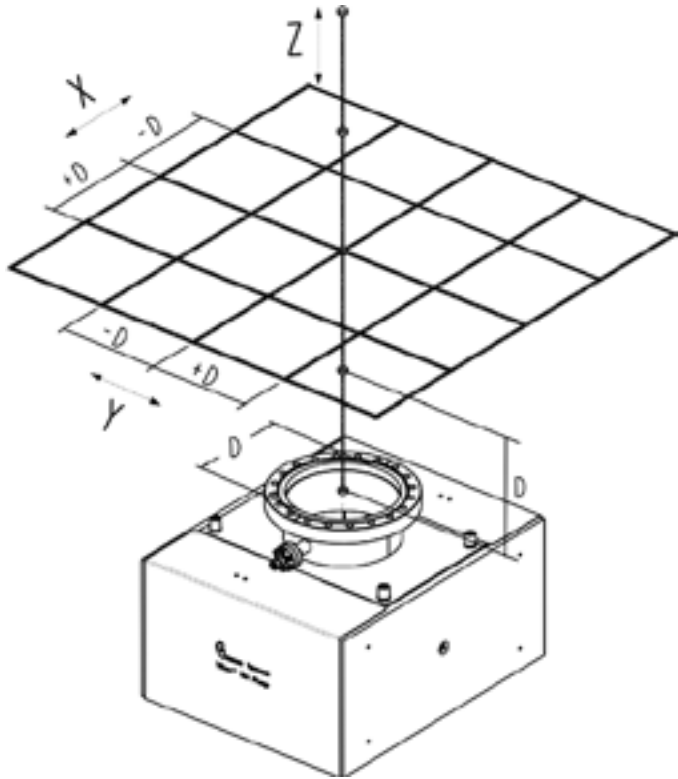


Titan 400L



*Diagram for representation only and may not mimic pump style



Ion Pump Magnetic Field Data
 Collected in accordance with ISO/DIN 28429
 Ion Pump Style*: 400L, Flange: 8" CFF (NW150),
 D: 6" (152.4 mm), Data Units: Gauss

		X					
		-2D	-D	0	D	2D	
Y	Z = 0	-2D	0.687	1.661	1.385	1.553	0.601
	-D	2.284	2.562	0.638	1.578	0.837	
	0	1.809	1.061	0.984	10.480	0.876	
	D	0.892	2.991	0.668	2.261	1.614	
	2D	0.896	2.287	1.051	0.911	0.679	

		X					
		-2D	-D	0	D	2D	
Y	Z = D	-2D	0.538	0.293	0.547	0.490	0.601
	-D	0.648	0.541	0.501	0.401	0.837	
	0	0.822	0.721	0.608	0.485	0.876	
	D	0.531	0.721	0.654	0.477	1.614	
	2D	0.557	0.740	0.524	0.391	0.679	

		X					
		-2D	-D	0	D	2D	
Y	Z = 2D	-2D	0.592	0.284	0.582	0.427	0.394
	-D	0.556	0.596	0.547	0.424	0.287	
	0	0.646	0.622	0.432	0.419	0.418	
	D	0.591	0.621	0.571	0.397	0.572	
	2D	0.587	0.553	0.457	0.459	0.464	

		X					
		-2D	-D	0	D	2D	
Y	Z = 3D	-2D	0.677	0.414	0.607	0.434	0.366
	-D	0.515	0.657	0.563	0.378	0.393	
	0	0.718	0.621	0.443	0.396	0.457	
	D	0.567	0.593	0.492	0.364	0.478	
	2D	0.531	0.487	0.418	0.489	0.341	

		X					
		-2D	-D	0	D	2D	
Y	Z = 4D	-2D	0.561	0.383	0.667	0.428	0.377
	-D	0.437	0.616	0.551	0.371	0.327	
	0	0.615	0.636	0.492	0.375	0.337	
	D	0.491	0.541	0.494	0.345	0.424	
	2D	0.418	0.439	0.388	0.437	0.352	