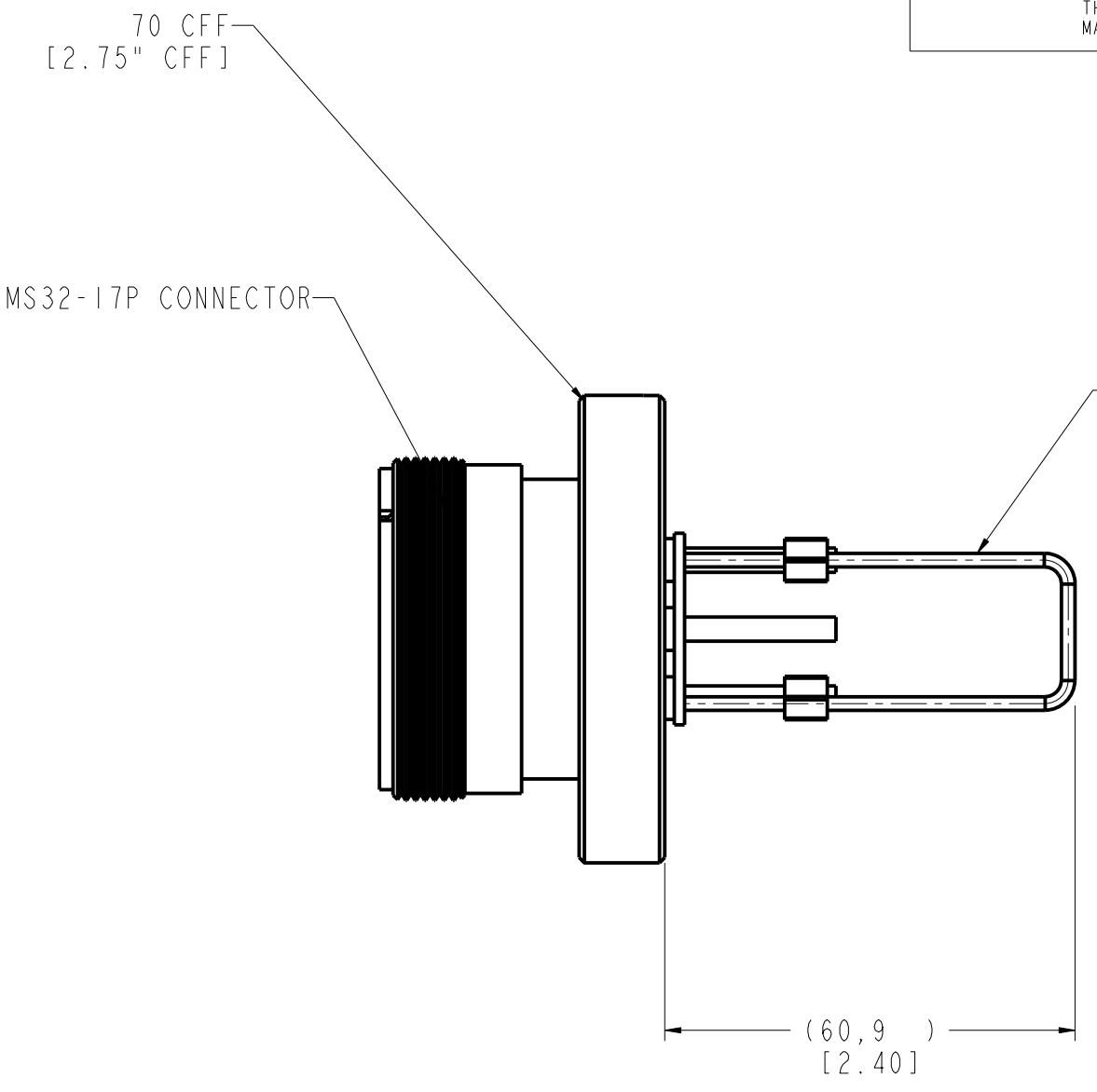
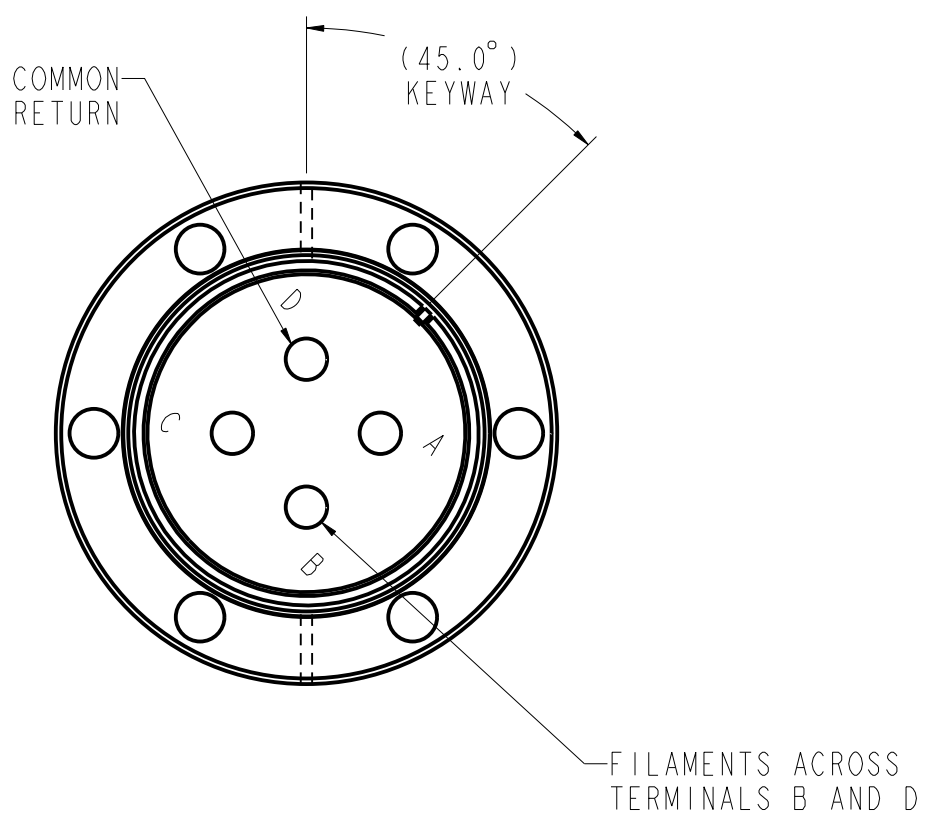


REVISIONS				
REV	CO #	DESCRIPTION	DATE	APPROVED
A	157.132	RELEASE	10-31-12	RDG
B	404.570	ROTATE FILAMENT REL TO HOUSING	1-16-13	RDG

THIS DRAWING HAS BEEN GENERATED AND IS MAINTAINED BY PRO/ENGINEER CAD SYSTEM.



FILAMENT IS A SPIRAL FILAMENT. STRAIGHT FILAMENT SHOWN FOR CONVENIENCE.

- NOTES:
- A. FILAMENT MASS: 3.37 GRAMS.
  - B. RECOMMENDED OPERATING PARAMETERS:  
CURRENT: 43 AMPS  
PRESSURE:  $< 1 \times 10^{-5}$  mBAR.

<b>METRIC</b>	UNLESS OTHERWISE SPECIFIED: DIMENSIONS ARE IN MILLIMETERS SURFACE ROUGHNESS IN MICROMETERS	DRN R GOLLA	DATE 10-31-12	<b>Gamma Vacuum</b> 2915 133rd Street West • Shakopee, MN
	TOLERANCES: LINEAR $\pm 0.13$ HOLES $\pm 0.13$ ANGULAR ( $\pm$ )	CHK	DATE	
THIRD ANGLE PROJECTION	MACHINED 0.5° FORMED 1° CHAMFER 5°	APPV R GOLLA	DATE 0-31-12	TITLE TSP, 1 FILAMENT, 2.75 CF, MS
	MACHINED SURFACES 1.6 BREAK SHARP EDGES: R. 2 OR 45° 0.2 MAX. INTERNAL MACH CORNER R. 4 MAX.	RI R GOLLA	TOLERANCING AND DIMENSIONING PER ANSI Y14.5M - 1982	SIZE DRAWING NO. D 360549
		THIS DRAWING CONTAINS PROPRIETARY INFORMATION AND ANY REPRODUCTION, DISCLOSURE OR USE OF THIS DRAWING IS EXPRESSLY PROHIBITED EXCEPT AS AGREED TO IN WRITING.		REV. B
		SCALE 2.000	DETACHED <input type="checkbox"/> PL <input type="checkbox"/> SPEC	SHT 1 OF 3