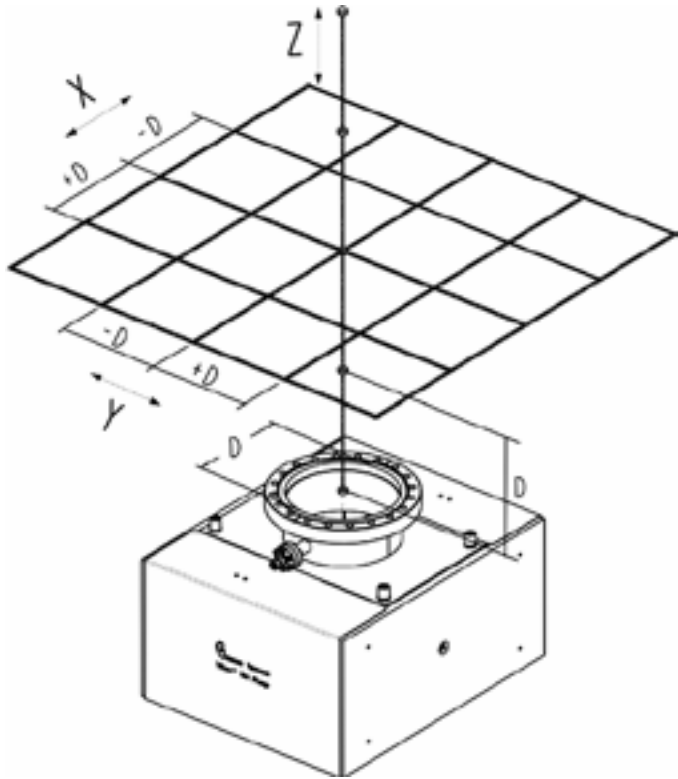


# Titan 5S



\*Diagram for representation only and may not mimic pump style



Ion Pump Magnetic Field Data  
 Collected in accordance with ISO/DIN 28429  
 Ion Pump Style\*: 5S, Flange: 2.75" CFF (NW35),  
 D: 1.50" (38.1 mm), Data Units: Gauss

		Z = 0				
		-2D	-D	0	D	2D
Y	-2D	0.237	0.315	0.237	0.117	0.093
	-D	0.427	0.479	0.539	0.516	0.266
	0	0.542	1.250	1.701	1.339	0.611
	D	0.674	0.754	0.389	0.952	0.218
	2D	0.499	0.499	0.346	0.310	0.161

		Z = D				
		-2D	-D	0	D	2D
Y	-2D	0.276	0.276	0.407	0.389	0.262
	-D	0.356	0.300	0.442	0.509	0.494
	0	0.425	0.435	0.445	0.560	0.525
	D	0.382	0.377	0.591	0.687	0.598
	2D	0.385	0.468	0.550	0.654	0.573

		Z = 2D				
		-2D	-D	0	D	2D
Y	-2D	0.318	0.328	0.300	0.277	0.282
	-D	0.379	0.355	0.367	0.345	0.359
	0	0.407	0.442	0.445	0.591	0.550
	D	0.445	0.474	0.458	0.458	0.422
	2D	0.481	0.458	0.439	0.430	0.393

		Z = 3D				
		-2D	-D	0	D	2D
Y	-2D	0.343	0.343	0.330	0.349	0.339
	-D	0.379	0.392	0.378	0.384	0.359
	0	0.411	0.417	0.405	0.422	0.403
	D	0.421	0.415	0.442	0.423	0.406
	2D	0.433	0.435	0.440	0.420	0.412

		Z = 4D				
		-2D	-D	0	D	2D
Y	-2D	0.338	0.349	0.345	0.344	0.363
	-D	0.369	0.358	0.378	0.368	0.375
	0	0.376	0.384	0.388	0.393	0.396
	D	0.414	0.438	0.428	0.432	0.433
	2D	0.434	0.449	0.444	0.435	0.429