

4

3

2

1

D

D

C

C

B

B

A

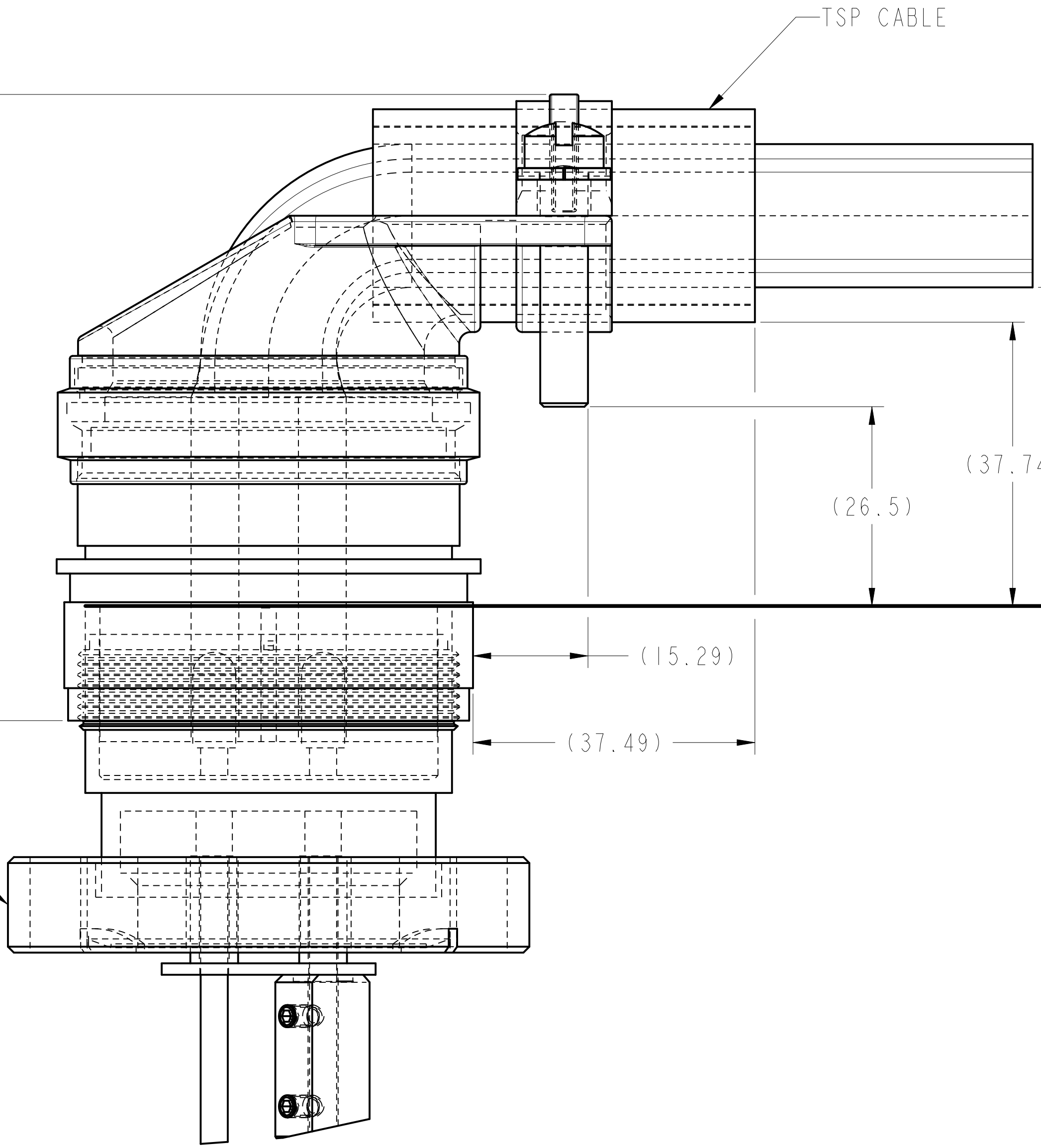
A

(83.27)
MINIMUM INSTALLATION
CLEARANCE (100)

TSP CABLE

TSP MATING LINE

TSP



METRIC	OUTLINE DRAWING	DWN	EIB	DATE	04-19-18	Gamma Vacuum 2915 133rd Street W., Shakopee, MN					
		CHK		DATE							
THIRD ANGLE PROJECTION		APPV		DATE		TITLE					
		RI	EIB	TOLERANCING AND DIMENSIONING PER ANSI Y14.5M-1982		TSP, 3 FILAMENT, 2.75 CF, MS, STD					
DIMENSIONS ARE IN MILLIMETERS		THIS DRAWING CONTAINS PROPRIETARY INFORMATION AND ANY REPRODUCTION, DISCLOSURE OR USE OF THIS DRAWING IS EXPRESSLY PROHIBITED EXCEPT AS AGREED TO IN WRITING.				SCALE	2.000	DRAWING NO.	360819	REV.	A
						SCALE	2.000	DETACHED	<input type="checkbox"/> PL <input type="checkbox"/> SPEC	SHT	1 OF 1

4

3

2

1