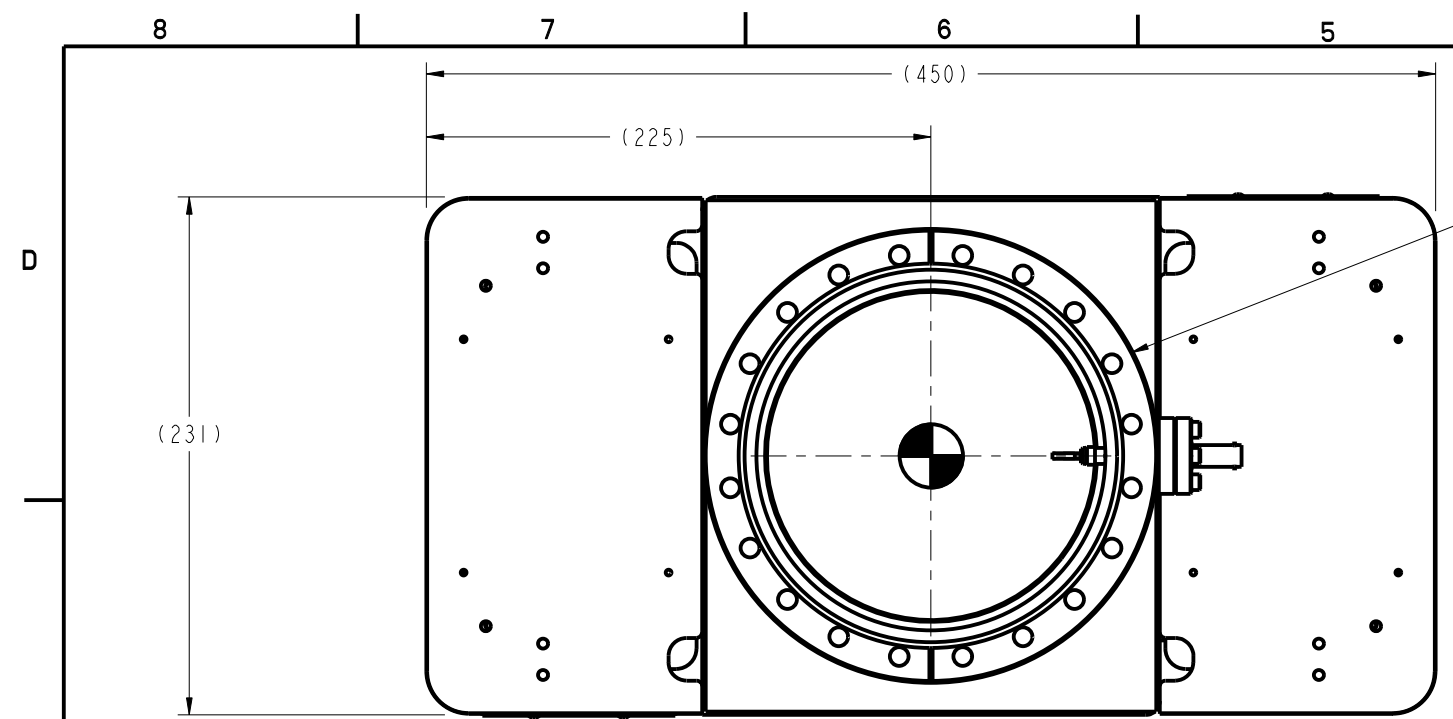
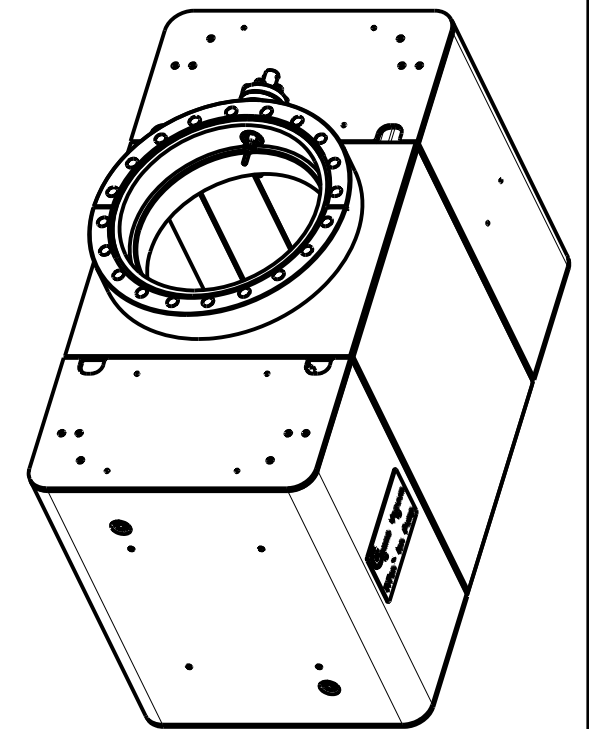


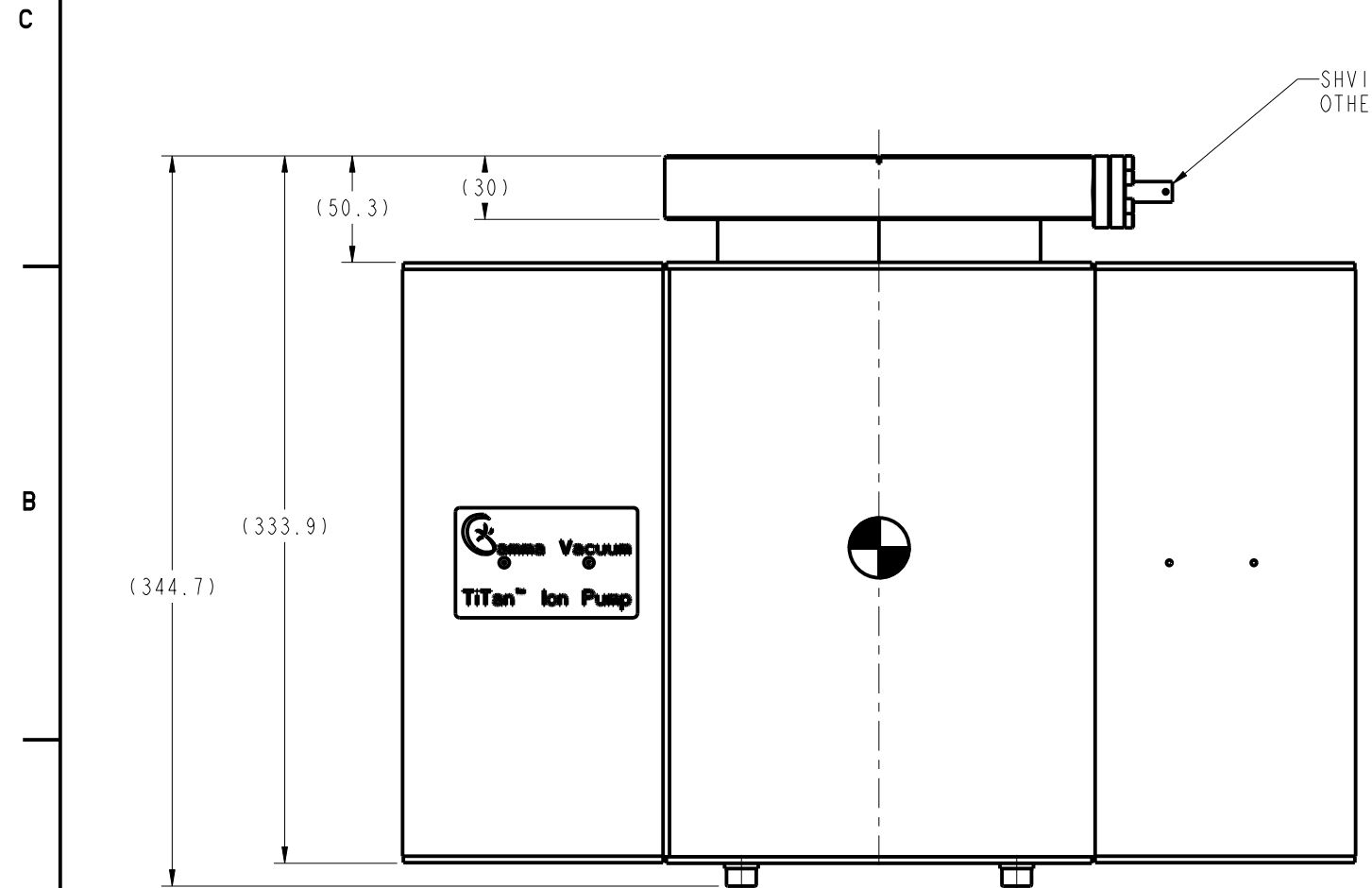
THIS DRAWING HAS BEEN GENERATED AND IS MAINTAINED BY PRO/ENGINEER CAD SYSTEM.



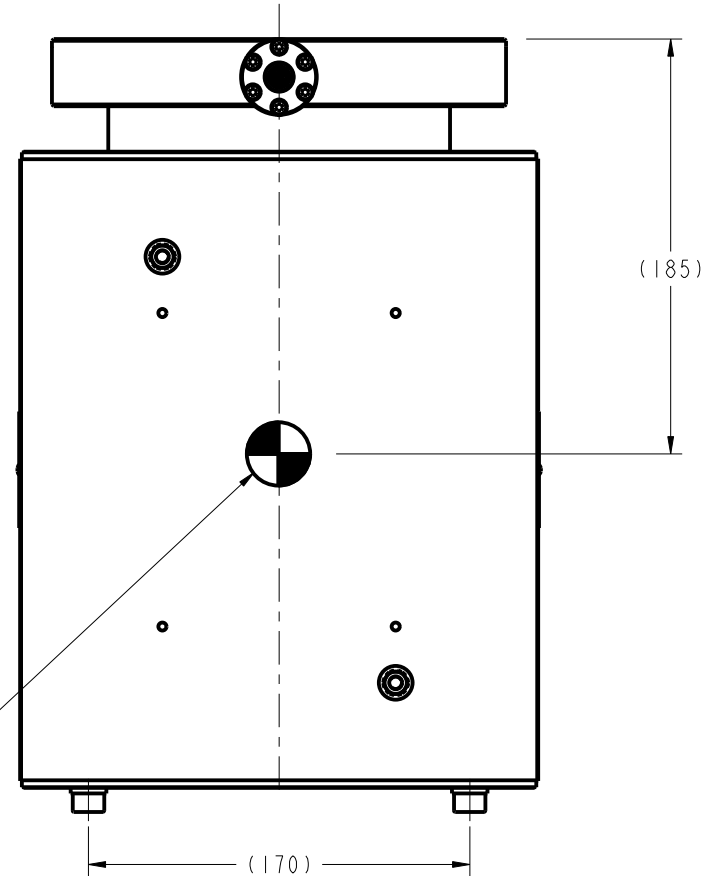
203 CFF [8" CFF]  
NON-ROTATABLE, 30mm THK  
(REQUIRES 60mm [2.5"] BOLTS)



SCALE 0.375



SHV10 10KV HV FDTHRU SHOWN  
OTHER HV FDTHRUS AVAILABLE



CENTER OF GRAVITY

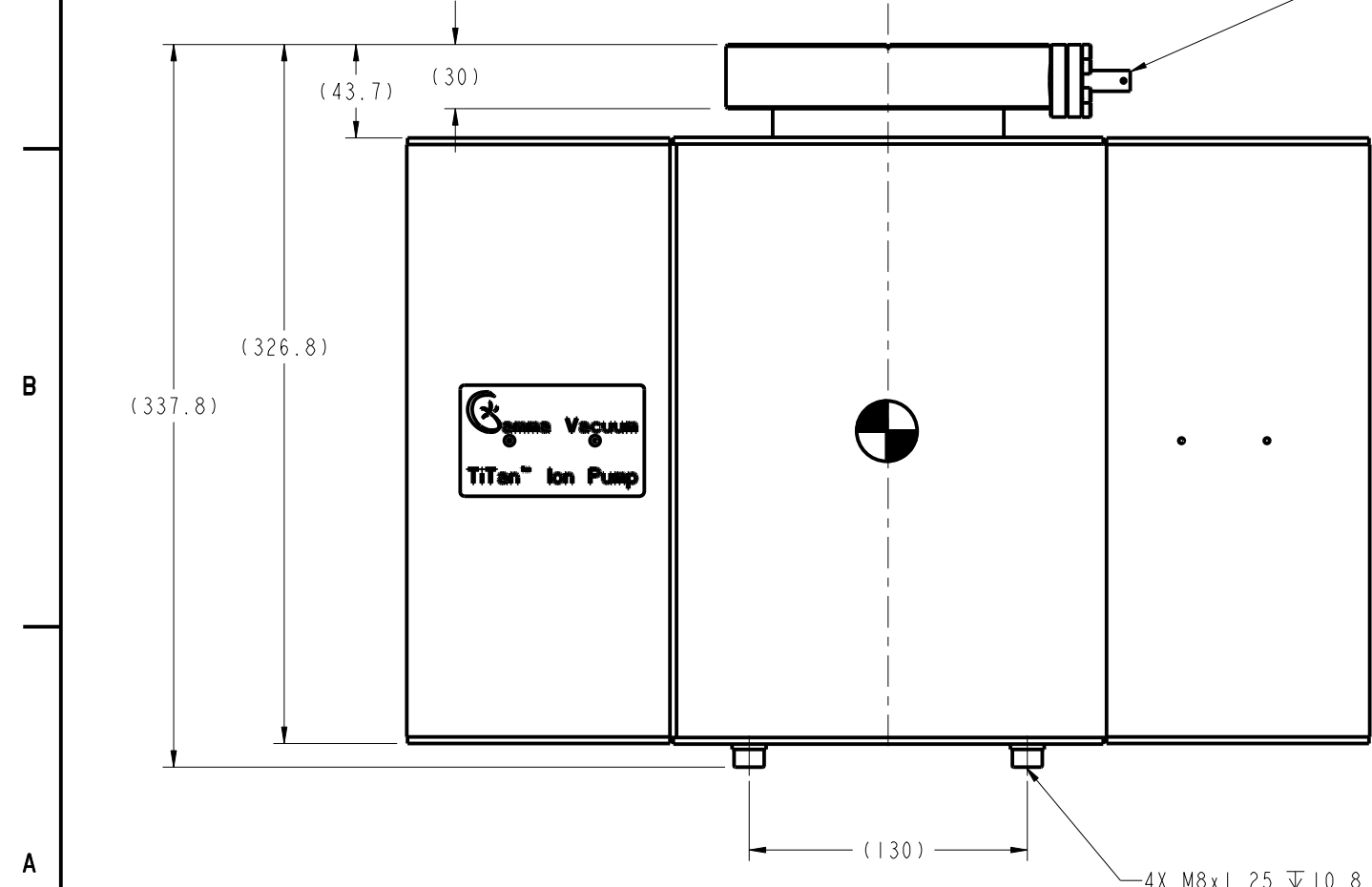
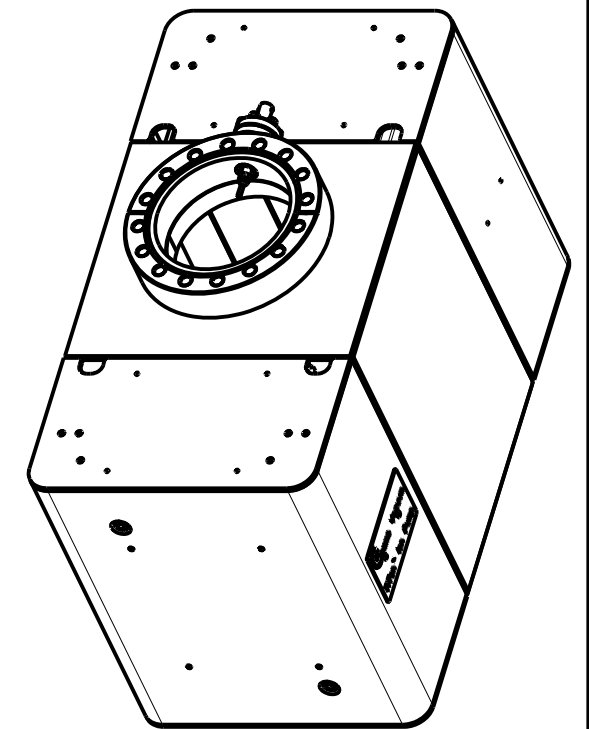
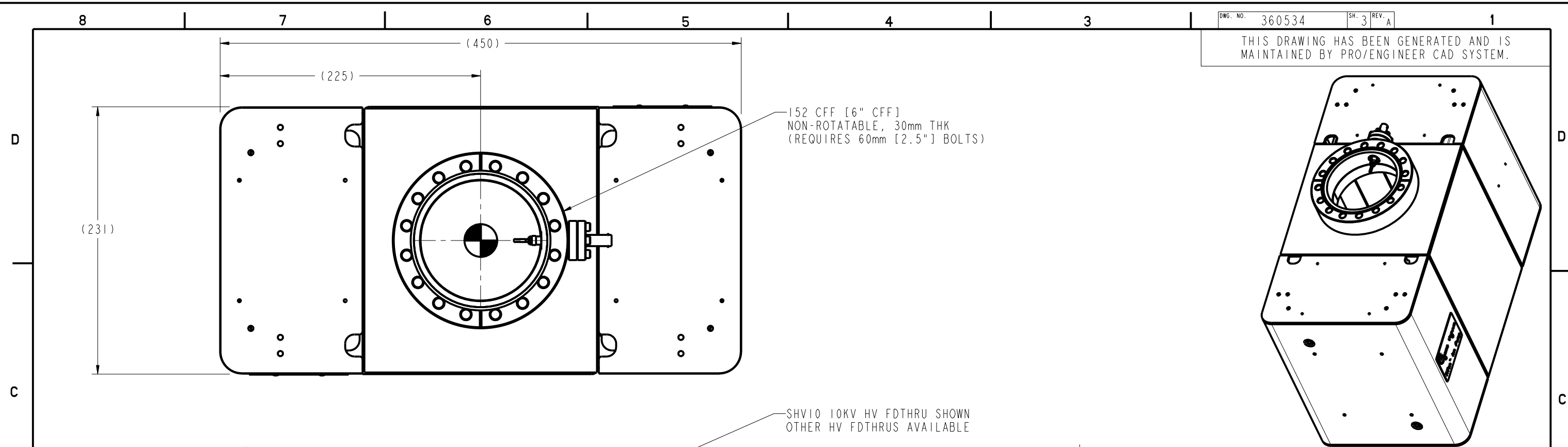
4X M8x1.25 ∇10.8

300TV-8S

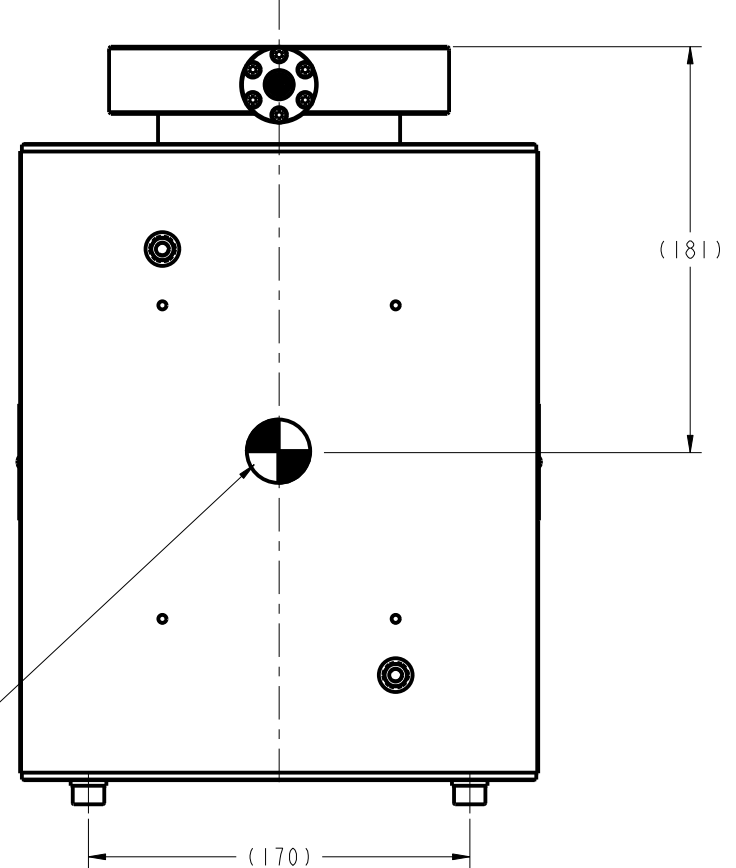
WEIGHT: 58 kg [127 lbs]

<b>METRIC</b> THIRD ANGLE PROJECTION 	UNLESS OTHERWISE SPECIFIED: DIMENSIONS ARE IN MILLIMETERS SURFACE ROUGHNESS IN MICROMETERS TOLERANCES: LINEAR ±0.13 HOLES ±0.13 ANGULAR (±) MACHINED 0.5° FORMED 1° CHAMFER 5° MACHINED SURFACES 1.6 BREAK SHARP EDGES: R. 2 OR 45° 0.2 MAX. INTERNAL MACH CORNER R. 4 MAX.	DESIGNED BY R. GOLLA CHECKED BY MHC APPR. BY R. GOLLA DATE 17-Jul-07 DATE 7-18-07 DATE 7-18-07 TOLERANCING AND DIMENSIONING PER ANSI Y14.5M - 1982 THIS DRAWING CONTAINS PROPRIETARY INFORMATION AND ANY REPRODUCTION, DISCLOSURE OR USE OF THIS DRAWING IS EXPRESSLY PROHIBITED EXCEPT AS AGREED TO IN WRITING.	2915 133rd Street West • Shakopee, MN <b>Gamma Vacuum</b> TITLE 300TV-XX-8S-XX DRAWING NO. 360707 REV. D SCALE 0.620 DETACHED <input type="checkbox"/> PL <input type="checkbox"/> SPEC SHT 3 OF 3
	DIMENSIONS ARE IN MILLIMETERS SURFACE ROUGHNESS IN MICROMETERS TOLERANCES: LINEAR ±0.13 HOLES ±0.13 ANGULAR (±) MACHINED 0.5° FORMED 1° CHAMFER 5° MACHINED SURFACES 1.6 BREAK SHARP EDGES: R. 2 OR 45° 0.2 MAX. INTERNAL MACH CORNER R. 4 MAX.	DESIGNED BY R. GOLLA CHECKED BY MHC APPR. BY R. GOLLA DATE 17-Jul-07 DATE 7-18-07 DATE 7-18-07 TOLERANCING AND DIMENSIONING PER ANSI Y14.5M - 1982 THIS DRAWING CONTAINS PROPRIETARY INFORMATION AND ANY REPRODUCTION, DISCLOSURE OR USE OF THIS DRAWING IS EXPRESSLY PROHIBITED EXCEPT AS AGREED TO IN WRITING.	2915 133rd Street West • Shakopee, MN <b>Gamma Vacuum</b> TITLE 300TV-XX-8S-XX DRAWING NO. 360707 REV. D SCALE 0.620 DETACHED <input type="checkbox"/> PL <input type="checkbox"/> SPEC SHT 3 OF 3

THIS DRAWING HAS BEEN GENERATED AND IS MAINTAINED BY PRO/ENGINEER CAD SYSTEM.



SHV10 10KV HV FDTHRU SHOWN  
OTHER HV FDTHRUS AVAILABLE

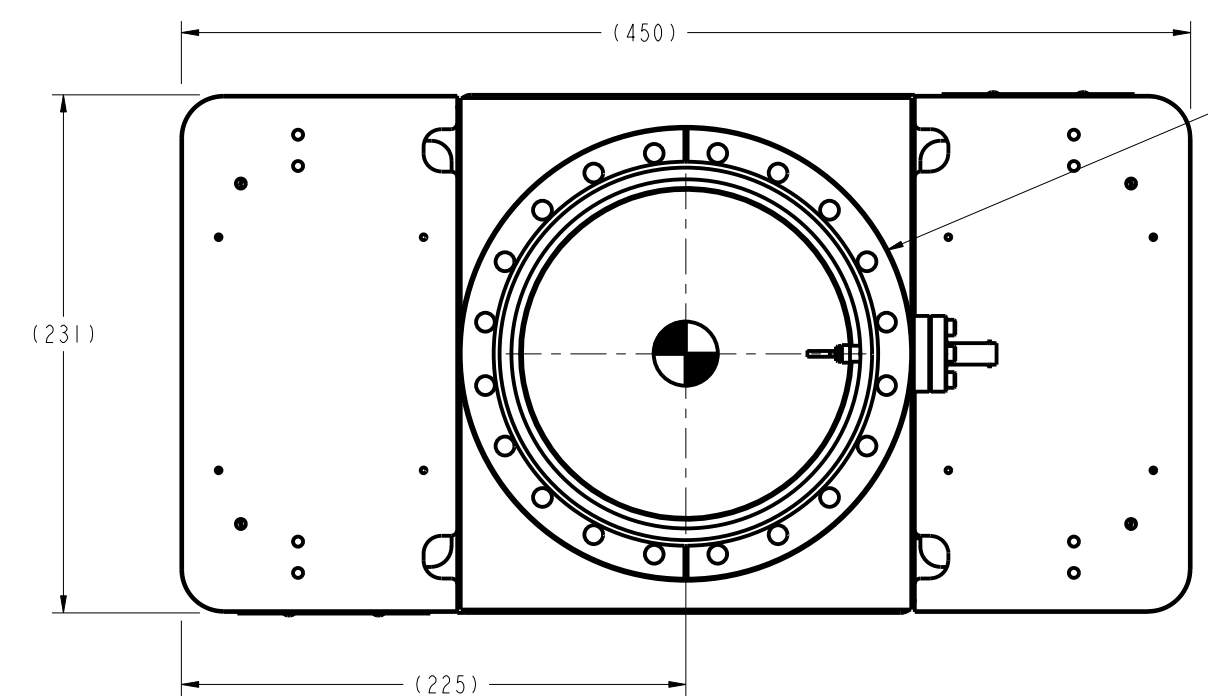


300TV-6S

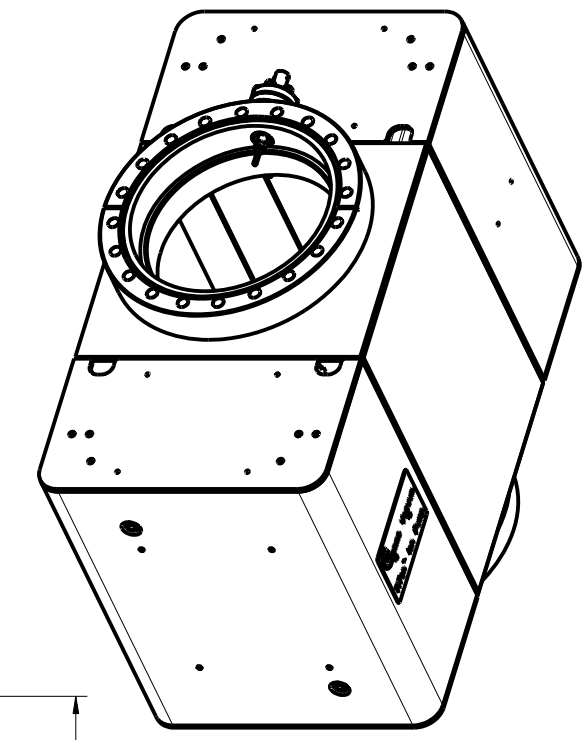
WEIGHT: 57 kg [125 lbs]

<b>METRIC</b>	UNLESS OTHERWISE SPECIFIED: DIMENSIONS ARE IN MILLIMETERS SURFACE ROUGHNESS IN MICROMETERS	CHK R GOLLA DATE 7-10-12	<b>Gamma Vacuum</b> 2915 133rd Street West • Shakopee, MN
	TOLERANCES: LINEAR ±0.13 HOLES ±0.13 ANGULAR (±)	APPV R GOLLA DATE 7-10-12	
THIRD ANGLE PROJECTION	MACHINED 0.5° FORMED 1° CHAMFER 5°	RI R GOLLA	TITLE 300TV-XX-6S-XX-N-N
	MACHINED SURFACES 1.6 BREAK SHARP EDGES: R.2 OR 45° 0.2 MAX. INTERNAL MACH CORNER R.4 MAX.	TOLERANCING AND DIMENSIONING PER ANSI Y14.5M - 1982	SIZE DRAWING NO. 360534 REV. A
		THIS DRAWING CONTAINS PROPRIETARY INFORMATION AND ANY REPRODUCTION, DISCLOSURE OR USE OF THIS DRAWING IS EXPRESSLY PROHIBITED EXCEPT AS AGREED TO IN WRITING.	SCALE 0.620 DETACHED <input type="checkbox"/> PLSPEC SHT 3 OF 3

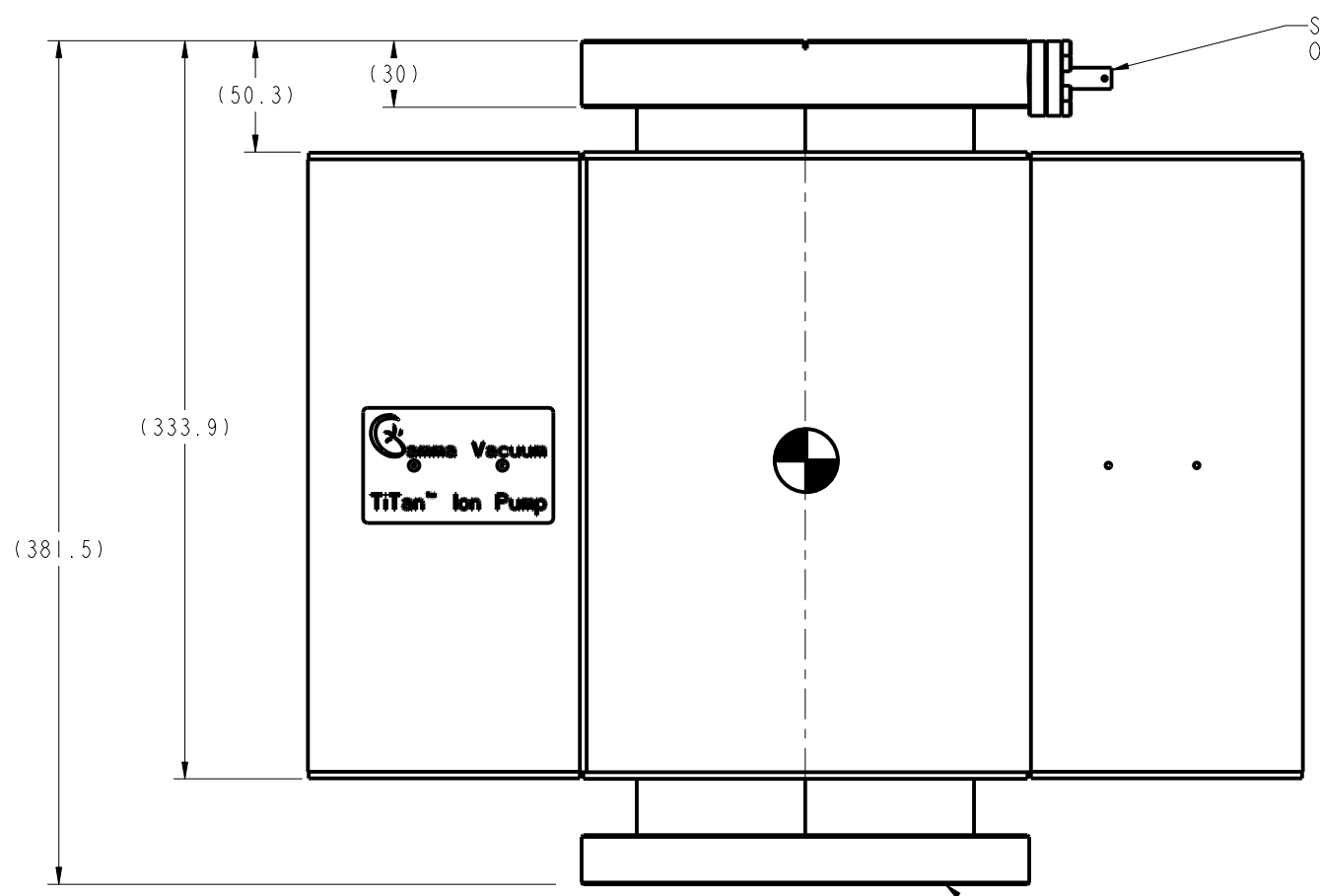
THIS DRAWING HAS BEEN GENERATED AND IS MAINTAINED BY PRO/ENGINEER CAD SYSTEM.



203 CFF [8" CFF]  
NON-ROTATABLE, 30mm THK  
(60mm [2.5"] LG BOLT REQUIRED)



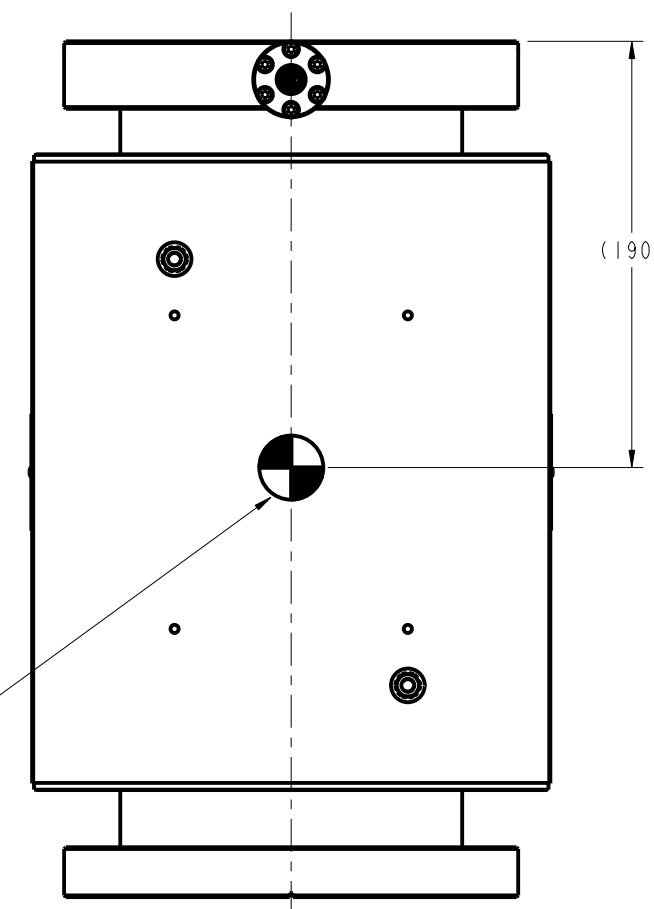
SCALE 0.375



SHV10 10KV HV FDTHRU SHOWN  
OTHER HV FDTHRUS AVAILABLE



CENTER OF GRAVITY



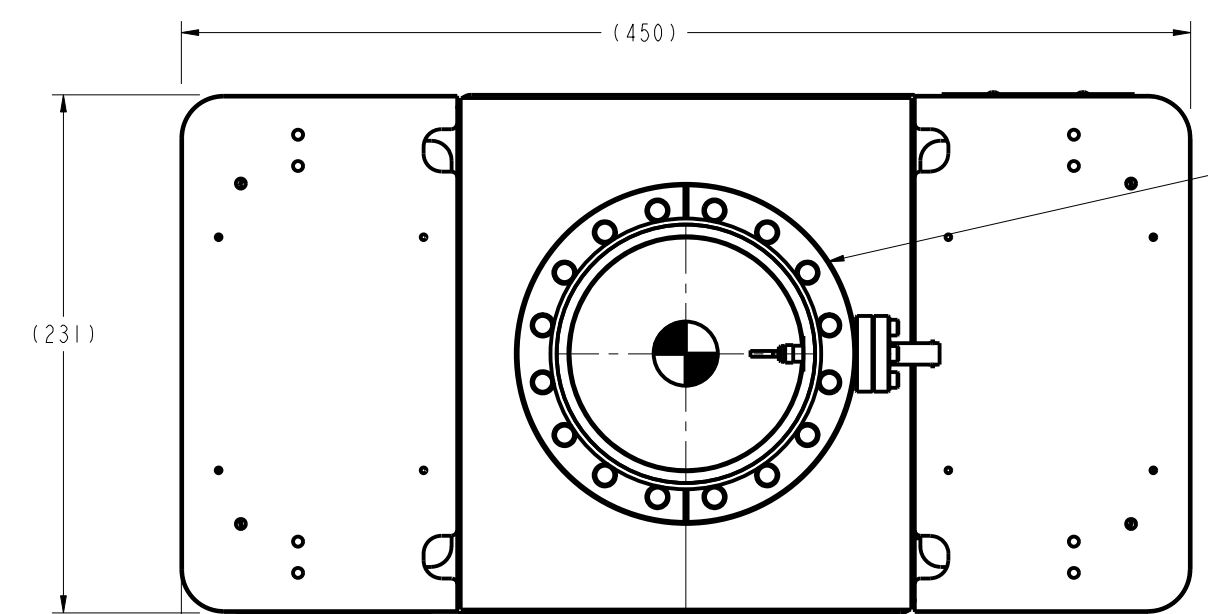
203 CFF  
[8" CFF]  
NON-ROTATABLE

WEIGHT: 60 kg [132 lbs]

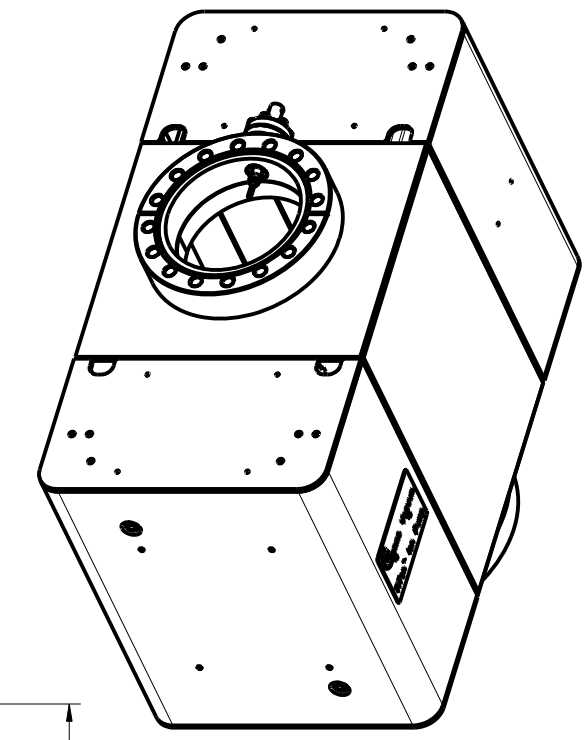
300TV-8D

<b>METRIC</b> THIRD ANGLE PROJECTION 	<small>UNLESS OTHERWISE SPECIFIED:          DIMENSIONS ARE IN MILLIMETERS          SURFACE ROUGHNESS IN MICROMETERS</small>	<small>CHK R GOLLA DATE 17-Jul-07          APPV MHC DATE 7-18-07          RI R GOLLA DATE 7-18-07</small>	<b>Gamma Vacuum</b> 2915 133rd Street West • Shakopee, MN
	<small>TOLERANCES:          LINEAR ±0.13          HOLES ±0.13          ANGULAR (±)          MACHINED 0.5°          FORMED 1°          CHAMFER 5°          MACHINED SURFACES 1.6          BREAK SHARP EDGES:          R. 2 OR 45° 0.2 MAX.          INTERNAL MACH CORNER R. 4 MAX.</small>	<small>TOLERANCING AND DIMENSIONING          PER ANSI Y14.5M - 1982</small>	<small>THIS DRAWING CONTAINS PROPRIETARY          INFORMATION AND ANY REPRODUCTION,          DISCLOSURE OR USE OF THIS DRAWING          IS EXPRESSLY PROHIBITED EXCEPT AS          AGREED TO IN WRITING.</small>

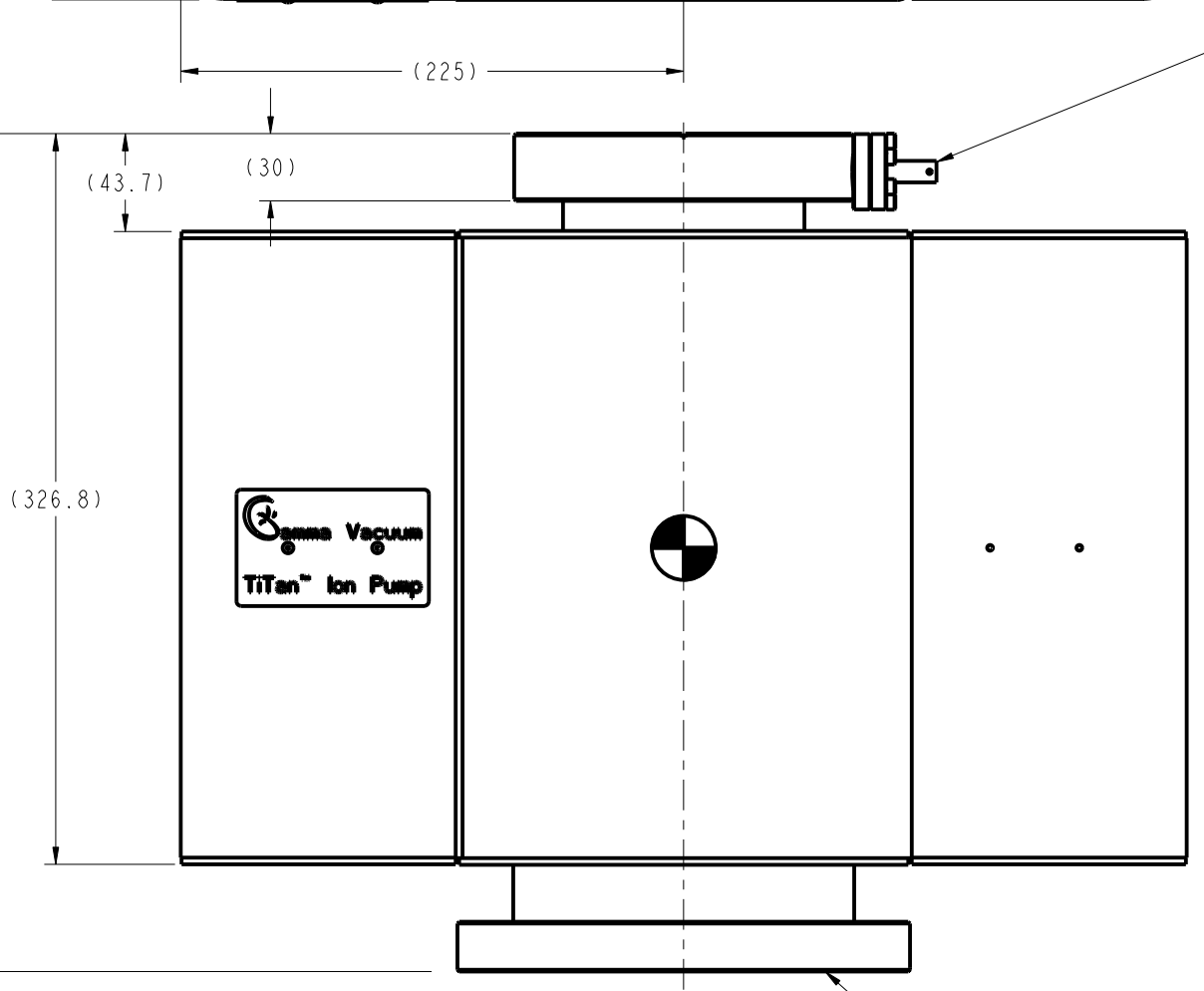
THIS DRAWING HAS BEEN GENERATED AND IS MAINTAINED BY PRO/ENGINEER CAD SYSTEM.



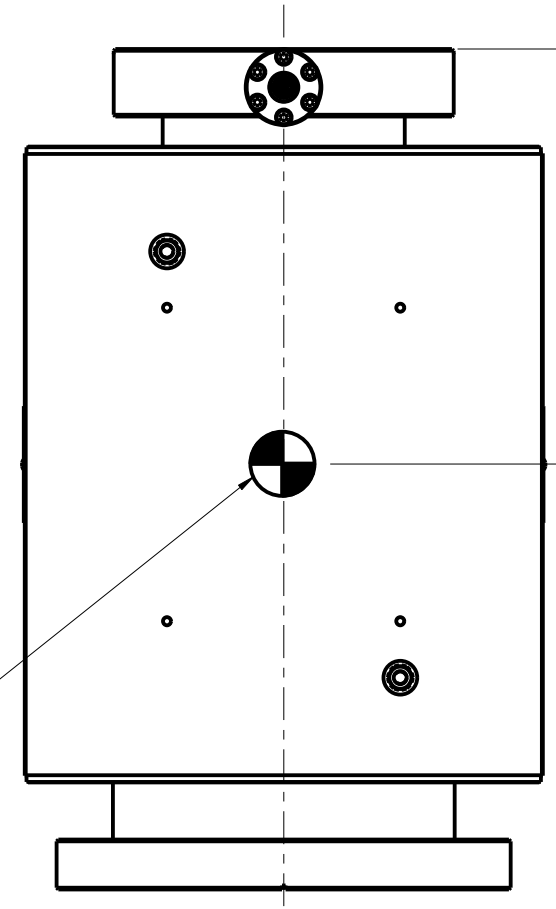
152 CFF [6" CFF]  
NON-ROTATABLE, 30mm THK  
(60mm [2.5"] LG BOLT REQUIRED)



SCALE 0.375



SHV10 10KV HV FDTHRU SHOWN  
OTHER HV FDTHRUS AVAILABLE



CENTER OF GRAVITY

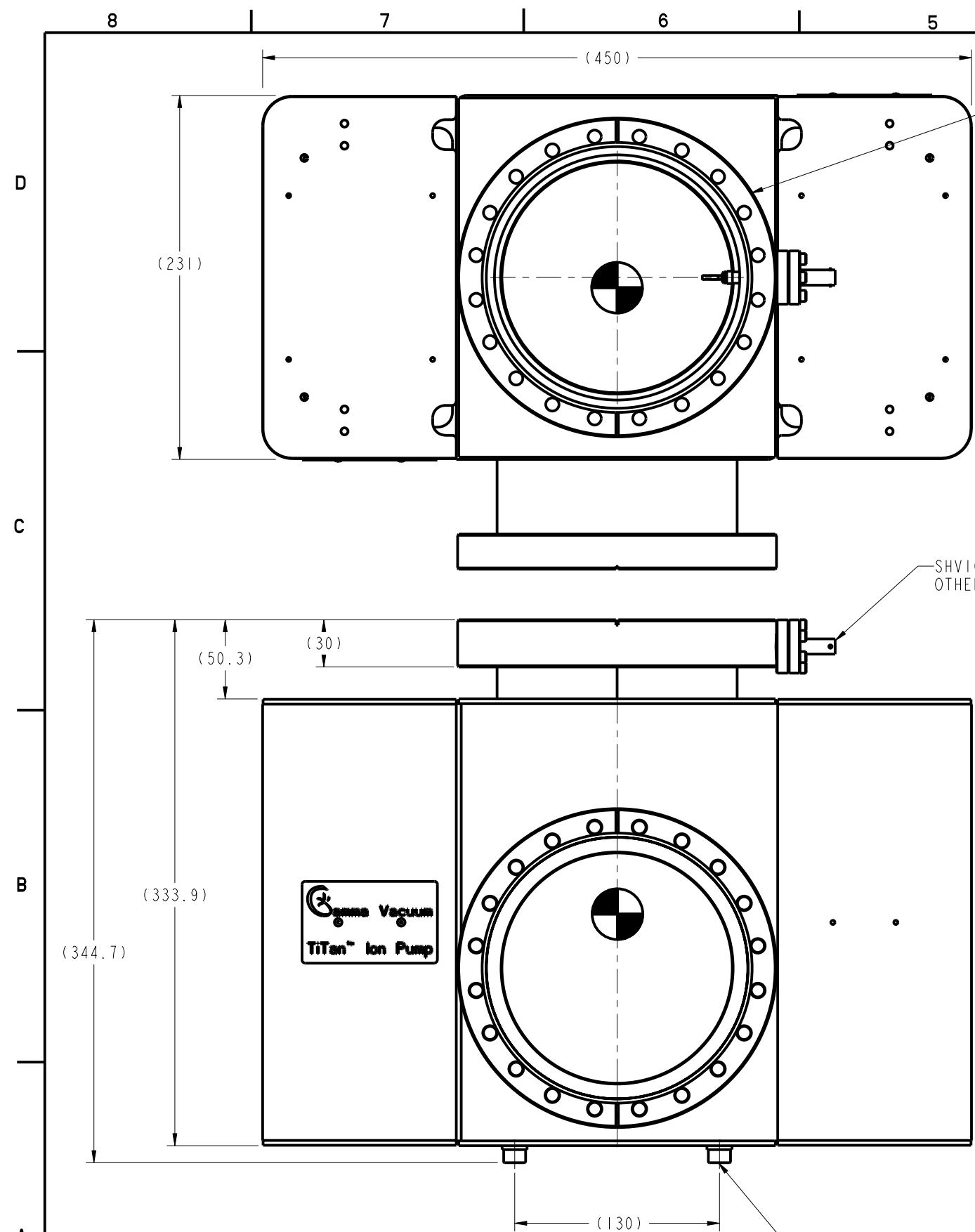
203 CFF  
[8" CFF]  
NON-ROTATABLE

<b>METRIC</b>	UNLESS OTHERWISE SPECIFIED: DIMENSIONS ARE IN MILLIMETERS SURFACE ROUGHNESS IN MICROMETERS	DRN R GOLLA	DATE 7-11-12	<b>Gamma Vacuum</b> 2915 133rd Street West • Shakopee, MN
	TOLERANCES: LINEAR ±0.13 HOLES ±0.13 ANGULAR (±)	CHK RDG	DATE 7-11-12	
THIRD ANGLE PROJECTION	MACHINED 0.5° FORMED 1° CHAMFER 5°	APPV R GOLLA	DATE 7-11-12	TITLE 300TV-XX-68D-XX-N-N
	MACHINED SURFACES 1.6 BREAK SHARP EDGES: R.2 OR 45° 0.2 MAX. INTERNAL MACH CORNER R.4 MAX.	RT R GOLLA	TOLERANCING AND DIMENSIONING PER ANSI Y14.5M - 1982	SIZE DRAWING NO. 360535 REV. A
		THIS DRAWING CONTAINS PROPRIETARY INFORMATION AND ANY REPRODUCTION, DISCLOSURE OR USE OF THIS DRAWING IS EXPRESSLY PROHIBITED EXCEPT AS AGREED TO IN WRITING.		SCALE 0.620 DETACHED <input type="checkbox"/> PL <input type="checkbox"/> SPEC SHT 3 OF 3

300TV-68D

WEIGHT: 59 kg [130 lbs]

THIS DRAWING HAS BEEN GENERATED AND IS MAINTAINED BY PRO/ENGINEER CAD SYSTEM.

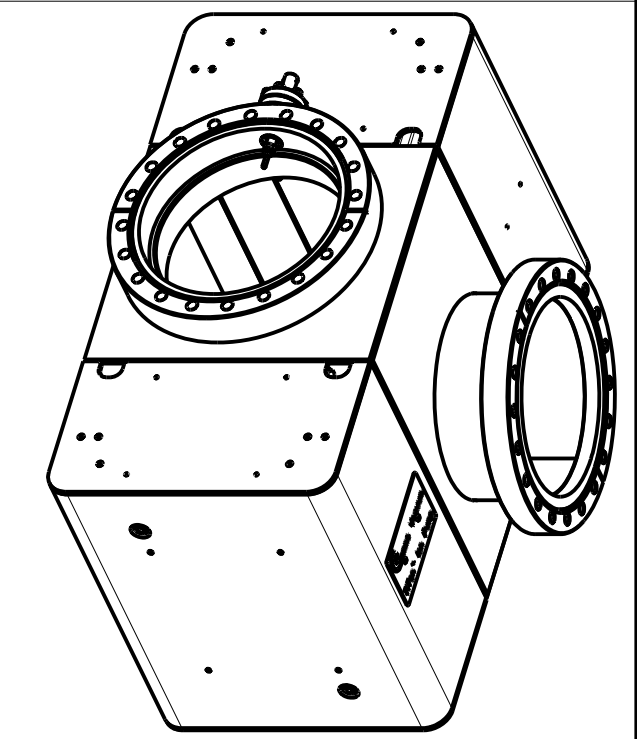


203 CFF [8" CFF]  
NON-ROTATABLE, 30 mm THK  
(60mm [2.5"] BOLTS REQUIRED)

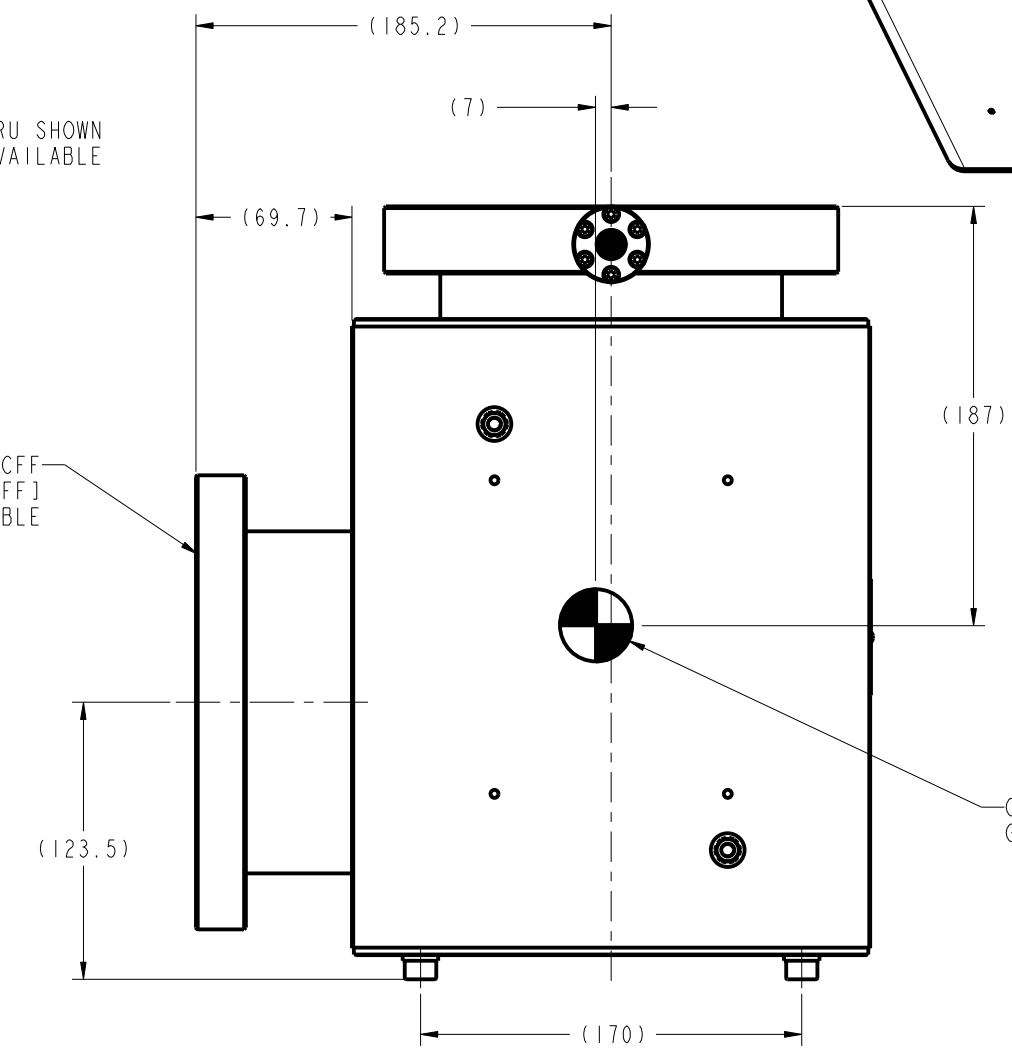
SHV10 10KV HV FDTHRU SHOWN  
OTHER HV FDTHRUS AVAILABLE

203 CFF  
[8" CFF]  
NON-ROTATABLE

4X M8  $\nabla$ 10.8



SCALE 0.375

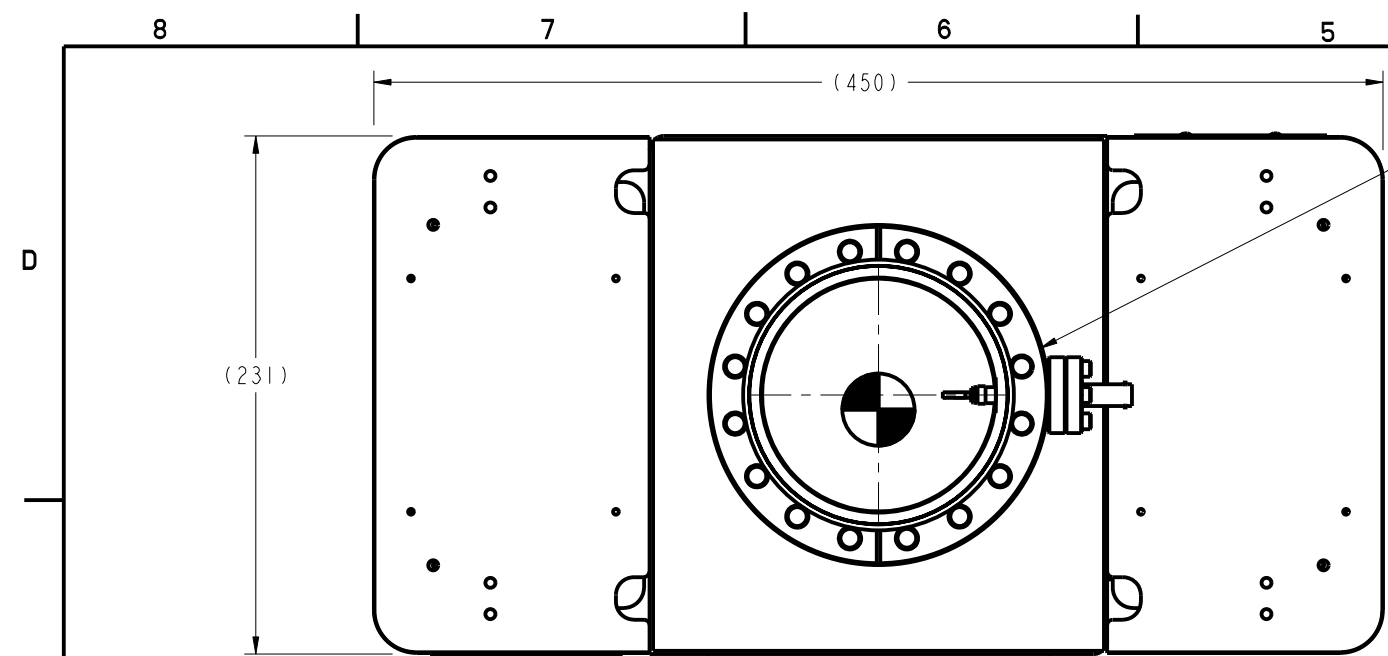


300TV-8P

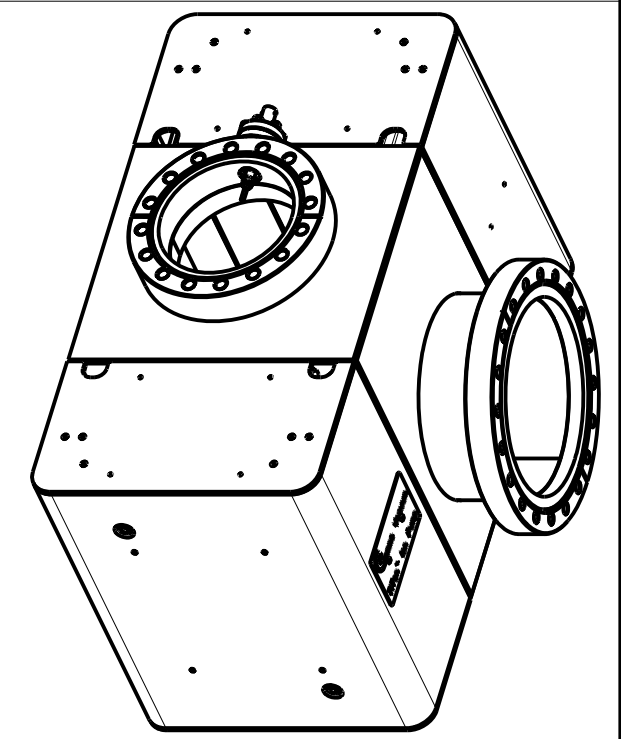
WEIGHT: 60 kg [132 lbs]

<b>METRIC</b> THIRD ANGLE PROJECTION 	UNLESS OTHERWISE SPECIFIED: DIMENSIONS ARE IN MILLIMETERS SURFACE ROUGHNESS IN MICROMETERS TOLERANCES: LINEAR $\pm 0.13$ HOLES $\pm 0.13$ ANGULAR ( $\pm$ ) MACHINED 0.5° FORMED 1° CHAMFER 5° MACHINED SURFACES $\checkmark$ 1.6 BREAK SHARP EDGES: R.2 OR 45° 0.2 MAX. INTERNAL MACH CORNER R.4 MAX.	DRN R GOLLA DATE 17-Jul-07 CHK MHC DATE 7-18-07 APPV R GOLLA DATE 7-18-07 RT R GOLLA TOLERANCING AND DIMENSIONING PER ANSI Y14.5M - 1982 THIS DRAWING CONTAINS PROPRIETARY INFORMATION AND ANY REPRODUCTION, DISCLOSURE OR USE OF THIS DRAWING IS EXPRESSLY PROHIBITED EXCEPT AS AGREED TO IN WRITING.	<b>Gamma Vacuum</b> 2915 133rd Street West • Shakopee, MN TITLE 300TV-XX-8P-XX SIZE DRAWING NO. 360709 D SCALE 0.620 DETACHED <input type="checkbox"/> PLI <input type="checkbox"/> SPEC SHT 3 OF 3
	REV. D		

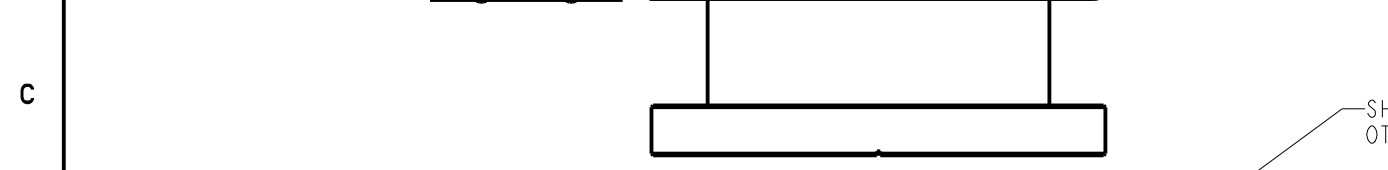
THIS DRAWING HAS BEEN GENERATED AND IS MAINTAINED BY PRO/ENGINEER CAD SYSTEM.



152 CFF [6" CFF]  
NON-ROTATABLE, 30 mm THK  
(60mm [2.5"] BOLTS REQUIRED)

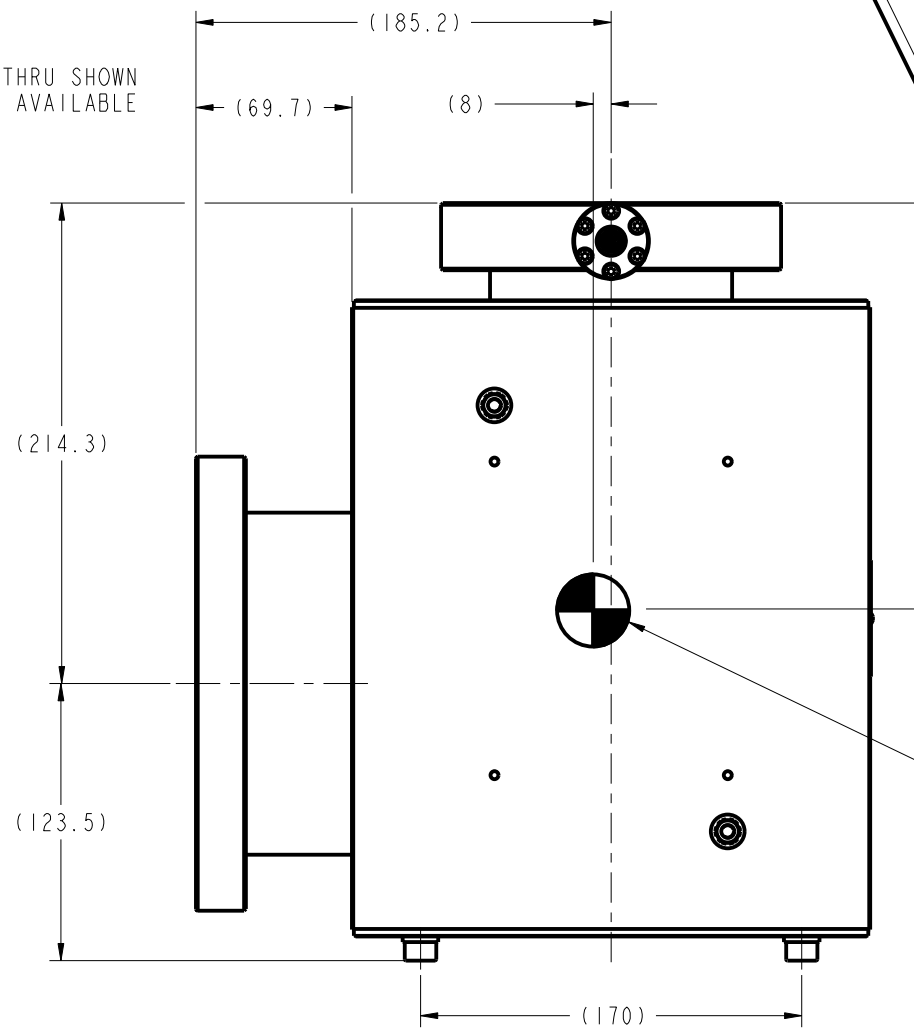


SCALE 0.375

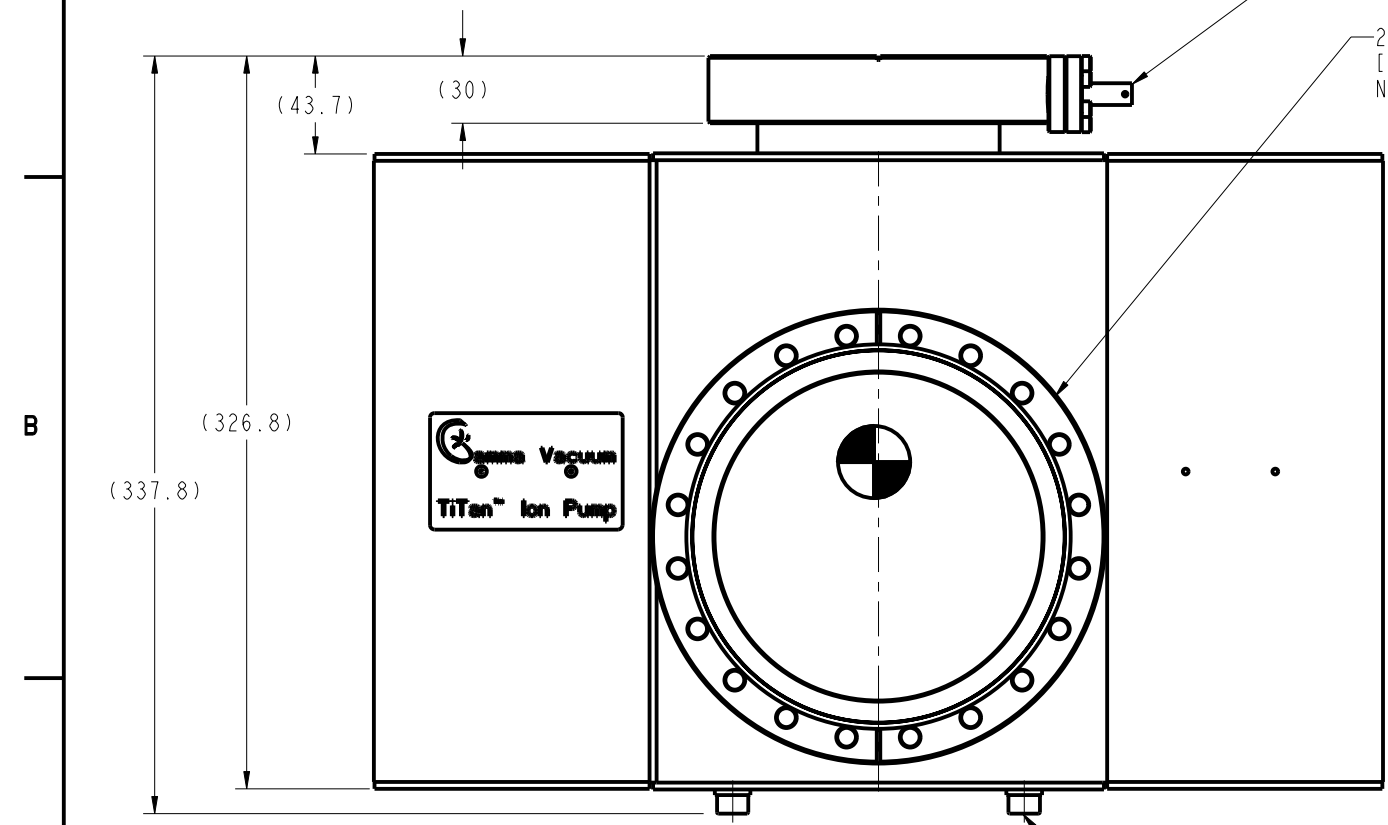


SHV10 10KV HV FDTHRU SHOWN  
OTHER HV FDTHRUS AVAILABLE

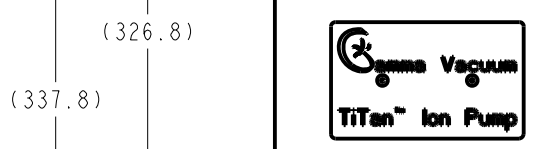
203 CFF  
[8" CFF]  
NON-ROTATABLE



CENTER OF GRAVITY



4X M8 ∇10.8



300TV-68P

WEIGHT: 59 kg [130 lbs]

<b>METRIC</b> THIRD ANGLE PROJECTION 	UNLESS OTHERWISE SPECIFIED: DIMENSIONS ARE IN MILLIMETERS SURFACE ROUGHNESS IN MICROMETERS TOLERANCES: LINEAR ±0.13 HOLES ±0.13 ANGULAR (±) MACHINED 0.5° FORMED 1° CHAMFER 5° MACHINED SURFACES 1.6 BREAK SHARP EDGES: R.2 OR 45° 0.2 MAX. INTERNAL MACH CORNER R.4 MAX.	DRN R GOLLA DATE 7-11-12 CHK RDG DATE 7-11-12 APPV R GOLLA DATE 7-11-12 RT R GOLLA TOLERANCING AND DIMENSIONING PER ANSI Y14.5M - 1982 THIS DRAWING CONTAINS PROPRIETARY INFORMATION AND ANY REPRODUCTION, DISCLOSURE OR USE OF THIS DRAWING IS EXPRESSLY PROHIBITED EXCEPT AS AGREED TO IN WRITING.	<b>Gamma Vacuum</b> 2915 133rd Street West • Shakopee, MN TITLE 300TV-XX-68P-XX-N-N SIZE DRAWING NO. 360536 REV. A SCALE 0.620 DETACHED <input type="checkbox"/> PLI <input type="checkbox"/> SPEC SHT 3 OF 3
---	--	---	--