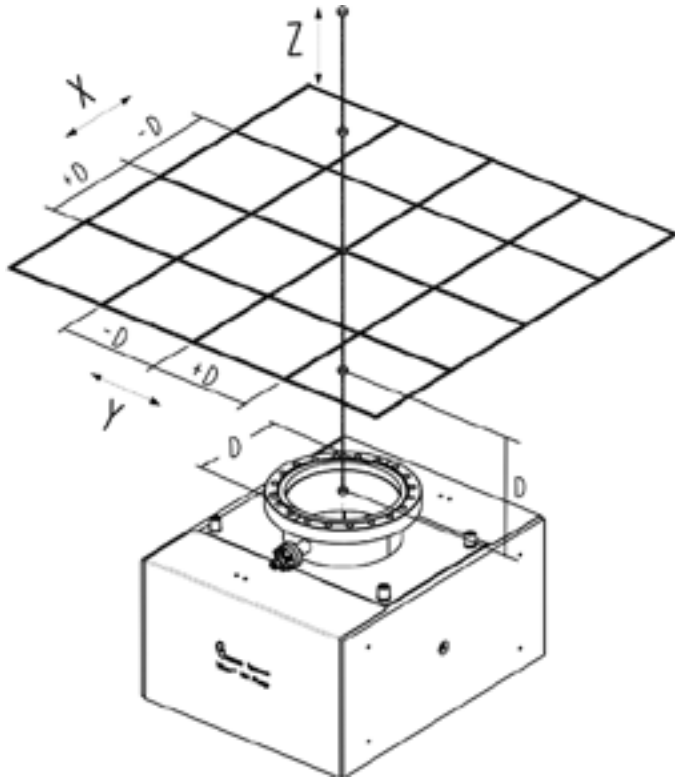


# Titan 300L



\*Diagram for representation only and may not mimic pump style



Ion Pump Magnetic Field Data  
 Collected in accordance with ISO/DIN 28429  
 Ion Pump Style\*: 300L, Flange: 8" CFF (NW150),  
 D: 6" (152.4 mm), Data Units: Gauss

		X					
		-2D	-D	0	D	2D	
Y	Z = 0	-2D	0.911	1.344	1.584	0.839	0.277
	-D	0.424	0.781	2.610	1.616	0.895	
	0	0.975	0.503	1.804	2.075	0.891	
	D	1.557	2.047	2.053	1.397	0.392	
	2D	0.886	1.215	0.746	0.861	0.330	

		X					
		-2D	-D	0	D	2D	
Y	Z = D	-2D	0.725	0.824	0.971	0.789	0.478
	-D	0.694	0.812	1.055	0.955	0.743	
	0	0.743	0.857	0.878	0.783	0.609	
	D	0.815	0.769	0.369	0.389	0.303	
	2D	0.546	0.541	0.272	0.194	0.224	

		X					
		-2D	-D	0	D	2D	
Y	Z = 2D	-2D	0.668	0.699	0.794	0.721	0.271
	-D	0.665	0.707	0.749	0.684	0.498	
	0	0.625	0.647	0.691	0.598	0.311	
	D	0.626	0.531	0.515	0.412	0.317	
	2D	0.537	0.501	0.454	0.104	0.204	

		X					
		-2D	-D	0	D	2D	
Y	Z = 3D	-2D	0.639	0.665	0.735	0.381	0.422
	-D	0.686	0.670	0.659	0.613	0.606	
	0	0.615	0.603	0.602	0.516	0.575	
	D	0.603	0.566	0.526	0.476	0.332	
	2D	0.560	0.529	0.510	0.382	0.371	

		X					
		-2D	-D	0	D	2D	
Y	Z = 4D	-2D	0.641	0.633	0.728	0.646	0.702
	-D	0.611	0.641	0.678	0.597	0.587	
	0	0.524	0.643	0.623	0.547	0.566	
	D	0.772	0.603	0.585	0.493	0.390	
	2D	0.558	0.571	0.521	0.410	0.394	