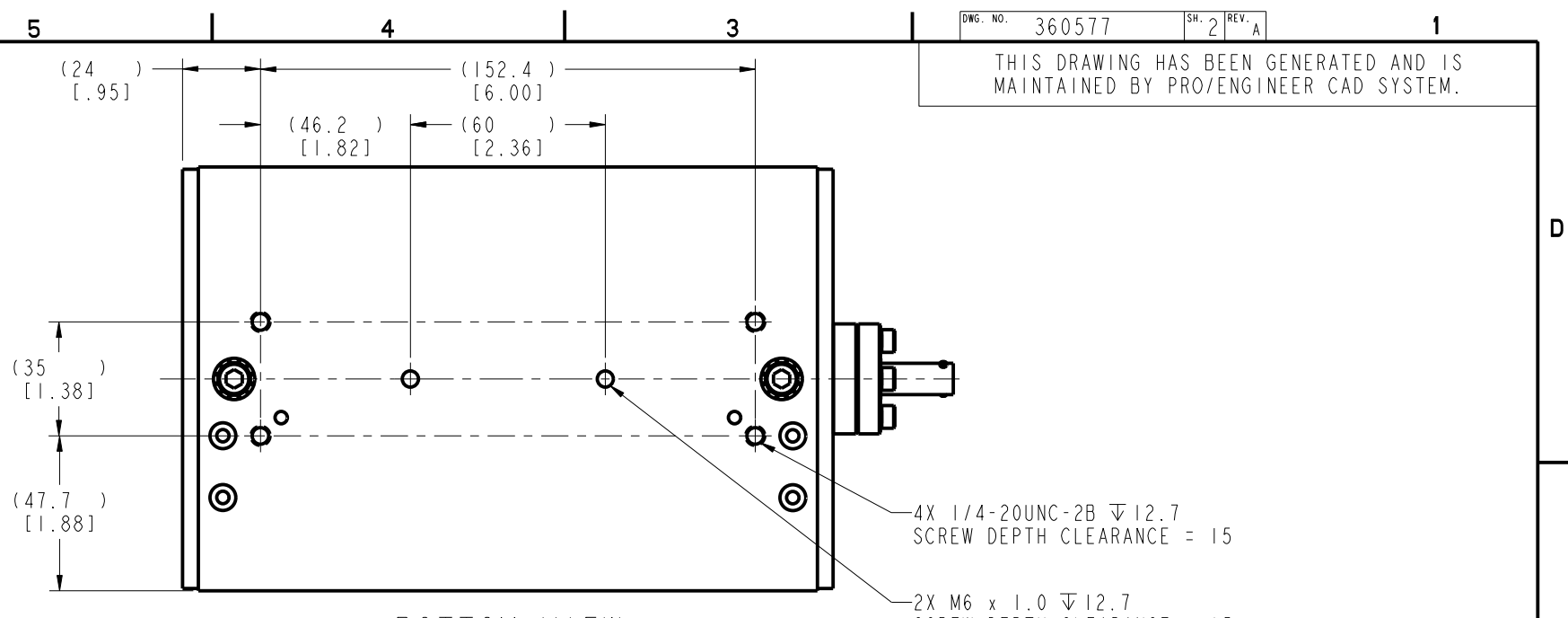
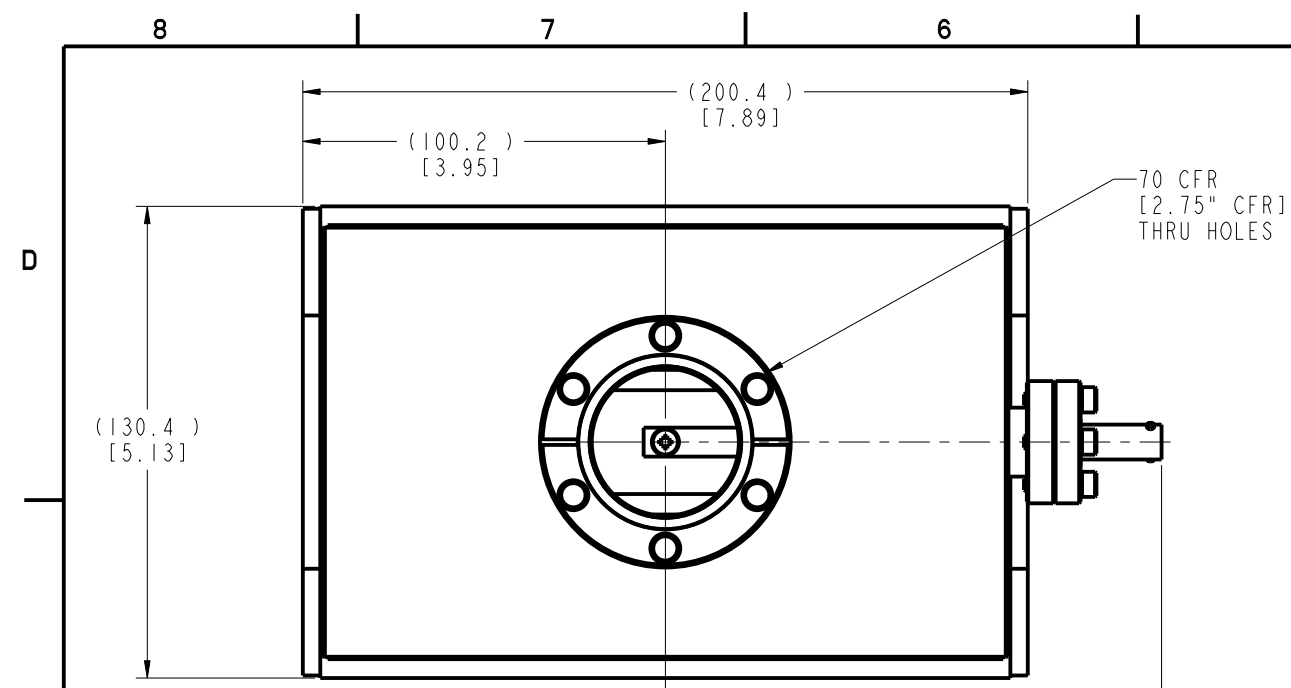
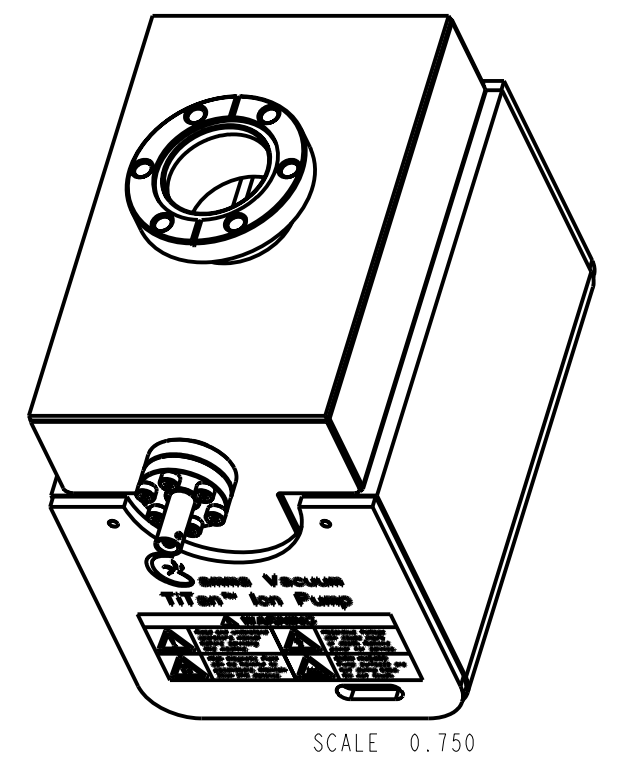
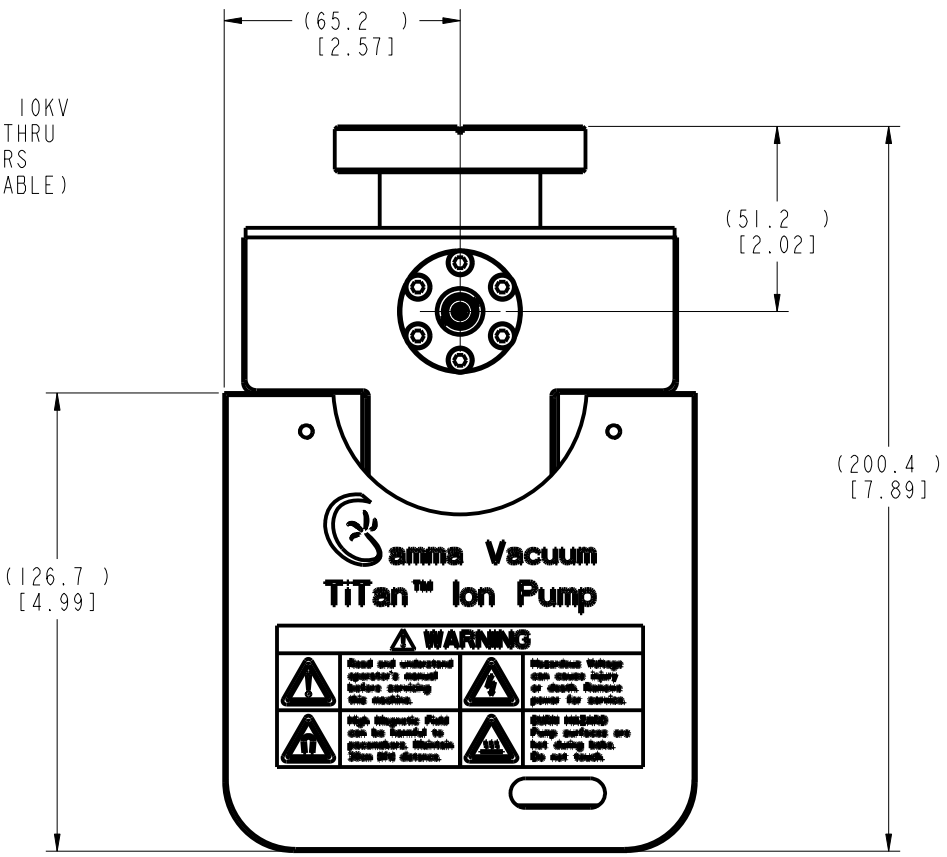
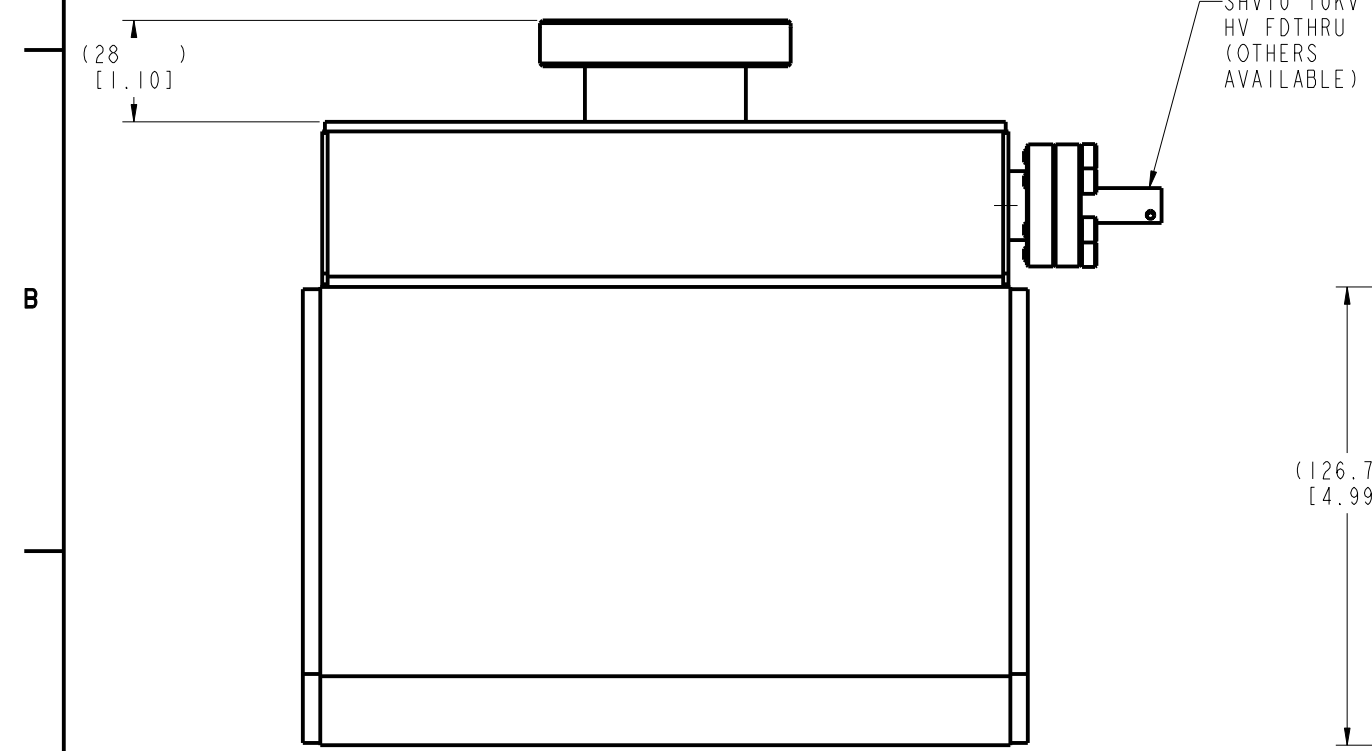


THIS DRAWING HAS BEEN GENERATED AND IS MAINTAINED BY PRO/ENGINEER CAD SYSTEM.



BOTTOM VIEW
PUMP MOUNTING HOLE PATTERN

- X
- SC: X= 137.2 [5.40"]
 - KG: X= 137.2 [5.40"]
 - SCO: X= 137.2 [5.40"]
 - FI: X= 147.7 [5.81"]
 - OV: X= 180.3 [7.10"]
 - VR: X= 189.3 [7.45"]
 - LE: X= 147.2 [5.79"]
 - OP: X= 158.4 [6.24"]

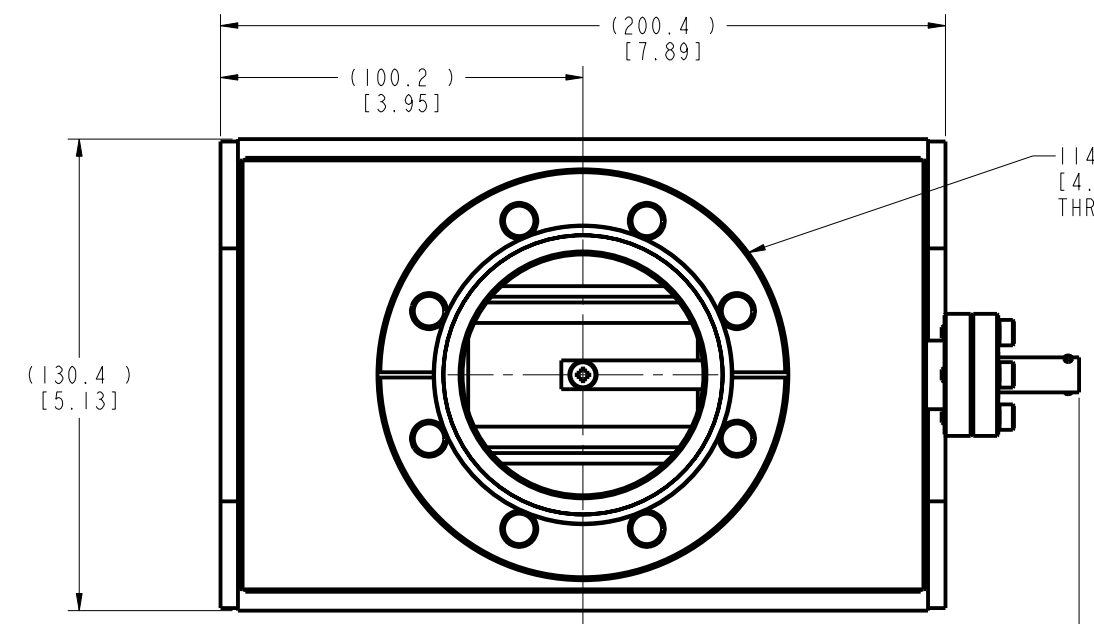


45S-2V

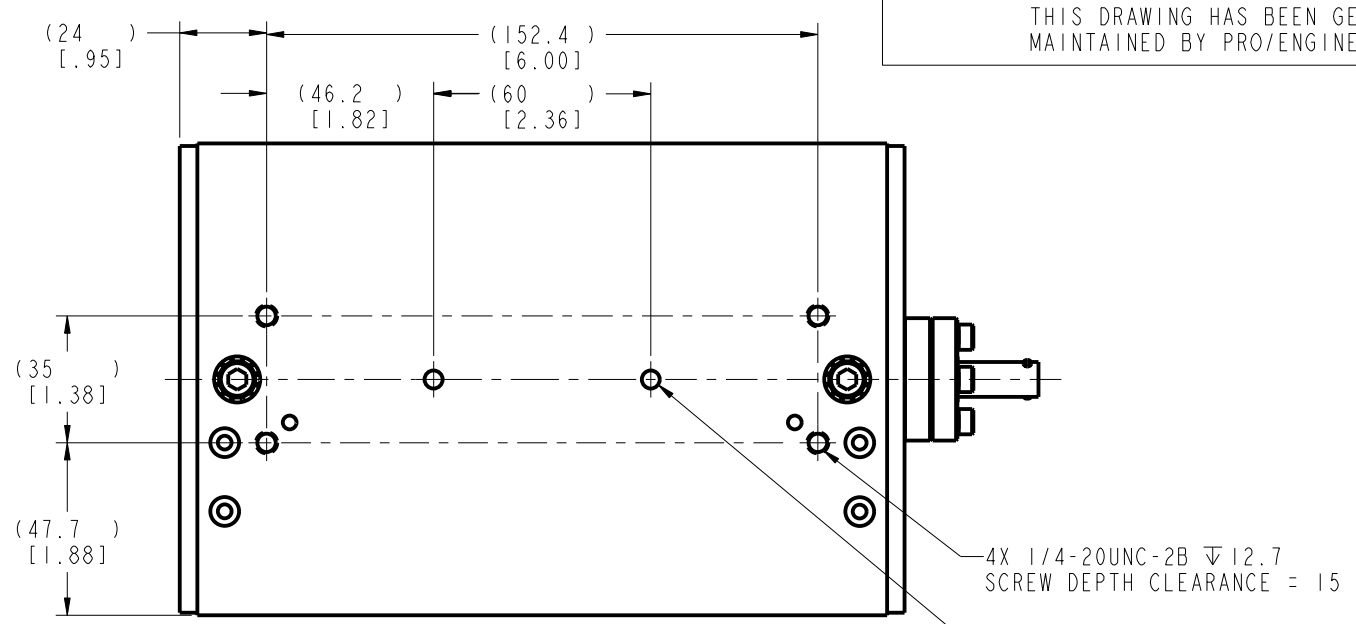
ALL DIMENSIONS ARE FOR REFERENCE ONLY.

METRIC THIRD ANGLE PROJECTION 	UNLESS OTHERWISE SPECIFIED: DIMENSIONS ARE IN MILLIMETERS SURFACE ROUGHNESS IN MICROMETERS TOLERANCES: LINEAR \pm 0.13 HOLES \pm 0.13 ANGULAR (\pm) MACHINED 0.5° FORMED 1° CHAMFER 5° MACHINED SURFACES 1.6 BREAK SHARP EDGES: R.2 OR 45° 0.2 MAX. INTERNAL MACH CORNER R.4 MAX.	DRW R GOLLA DATE 9-26-13 CHK RDG DATE 9-26-13 APPV RDG DATE 9-26-13 RT RDG TOLERANCING AND DIMENSIONING PER ANSI Y14.5M - 1982 THIS DRAWING CONTAINS PROPRIETARY INFORMATION AND ANY REPRODUCTION, DISCLOSURE OR USE OF THIS DRAWING IS EXPRESSLY PROHIBITED EXCEPT AS AGREED TO IN WRITING.	Gamma Vacuum 2915 133rd Street West • Shakopee, MN TITLE 45S-XX-2V-XX SIZE DRAWING NO. 360577 D REV. A SCALE 1.000 DETACHED <input type="checkbox"/> PL <input type="checkbox"/> SPEC SHT 2 OF 6
---	--	---	--

THIS DRAWING HAS BEEN GENERATED AND IS MAINTAINED BY PRO/ENGINEER CAD SYSTEM.



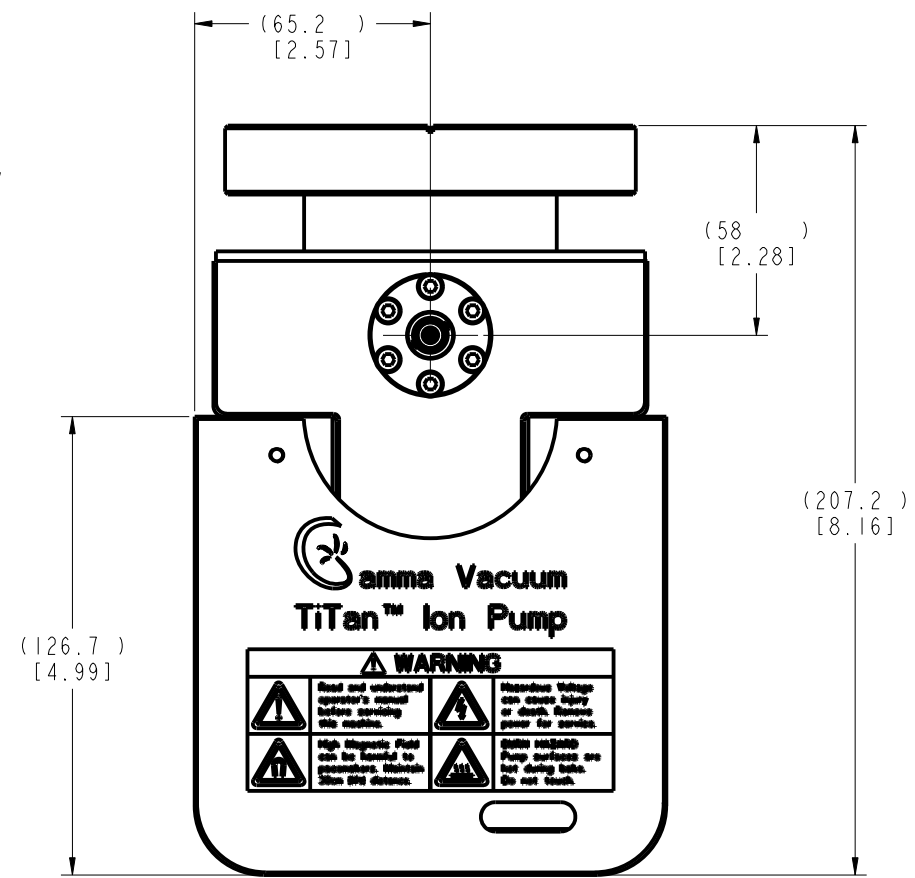
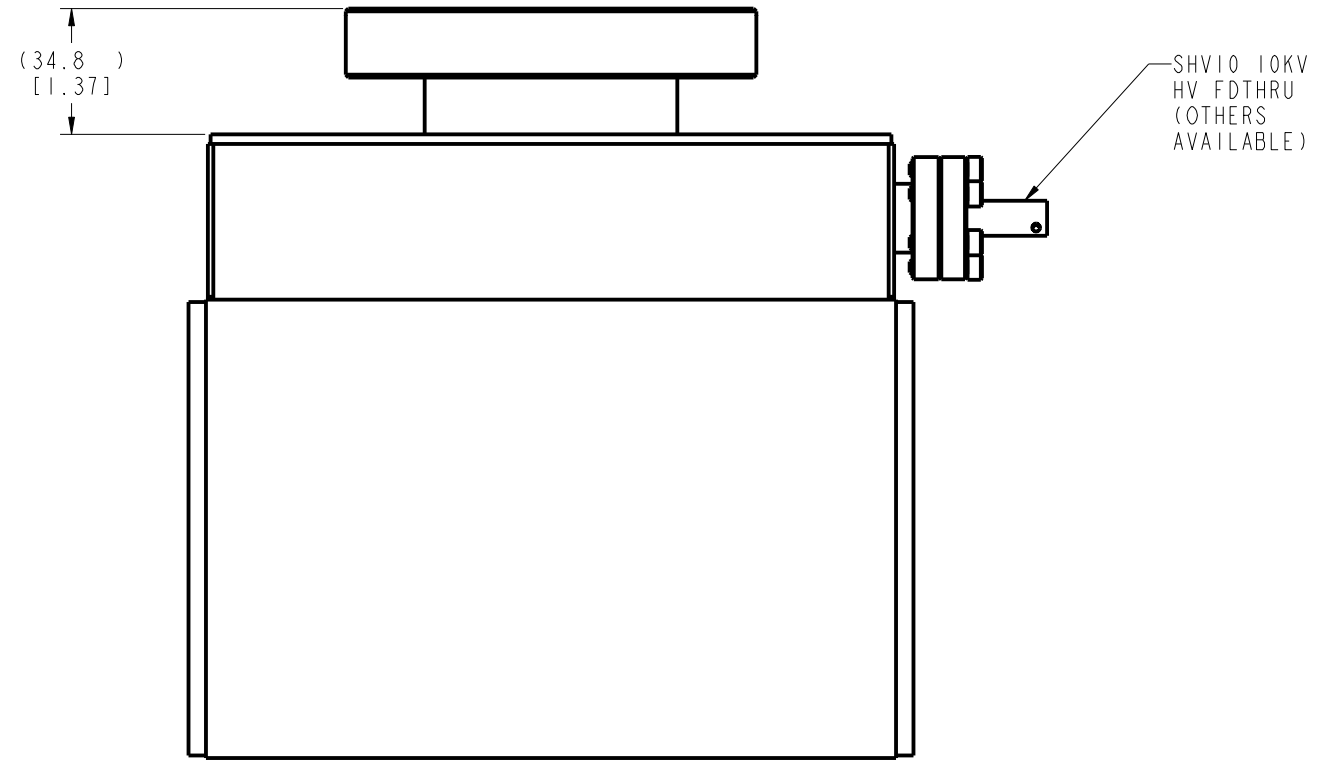
- SC: X= 137.2 [5.40"]
- KG: X= 137.2 [5.40"]
- SCO: X= 137.2 [5.40"]
- FI: X= 147.7 [5.81"]
- OV: X= 180.3 [7.10"]
- VR: X= 189.3 [7.45"]
- LE: X= 147.2 [5.79"]
- OP: X= 158.4 [6.24"]



BOTTOM VIEW
PUMP MOUNTING HOLE PATTERN

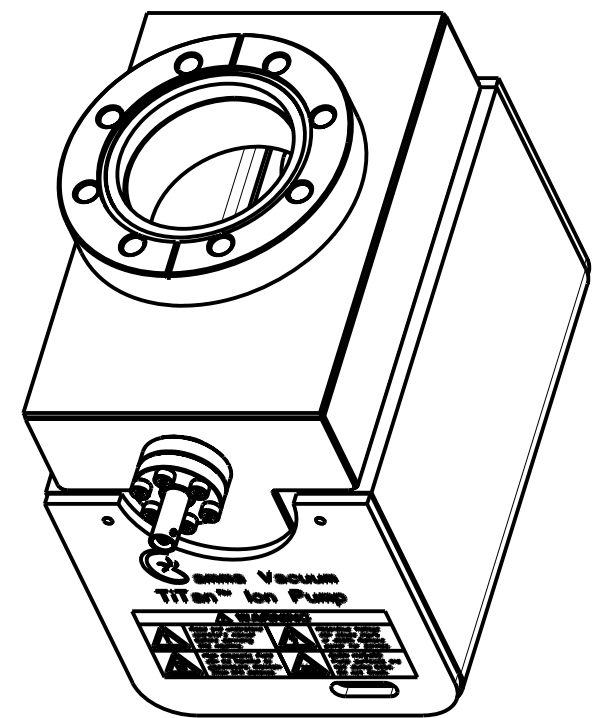
4X 1/4-20UNC-2B ∇12.7
SCREW DEPTH CLEARANCE = 15

2X M6 x 1.0 ∇12.7
SCREW DEPTH CLEARANCE = 15



WARNING

Read and understand operator's manual before operating this machine.	Hazardous voltage can cause injury or death. Remove power for service.
High magnetic field can be harmful to pacemakers. Minimize time the device.	Radio frequency Pump surfaces are hot during beta. Do not touch.

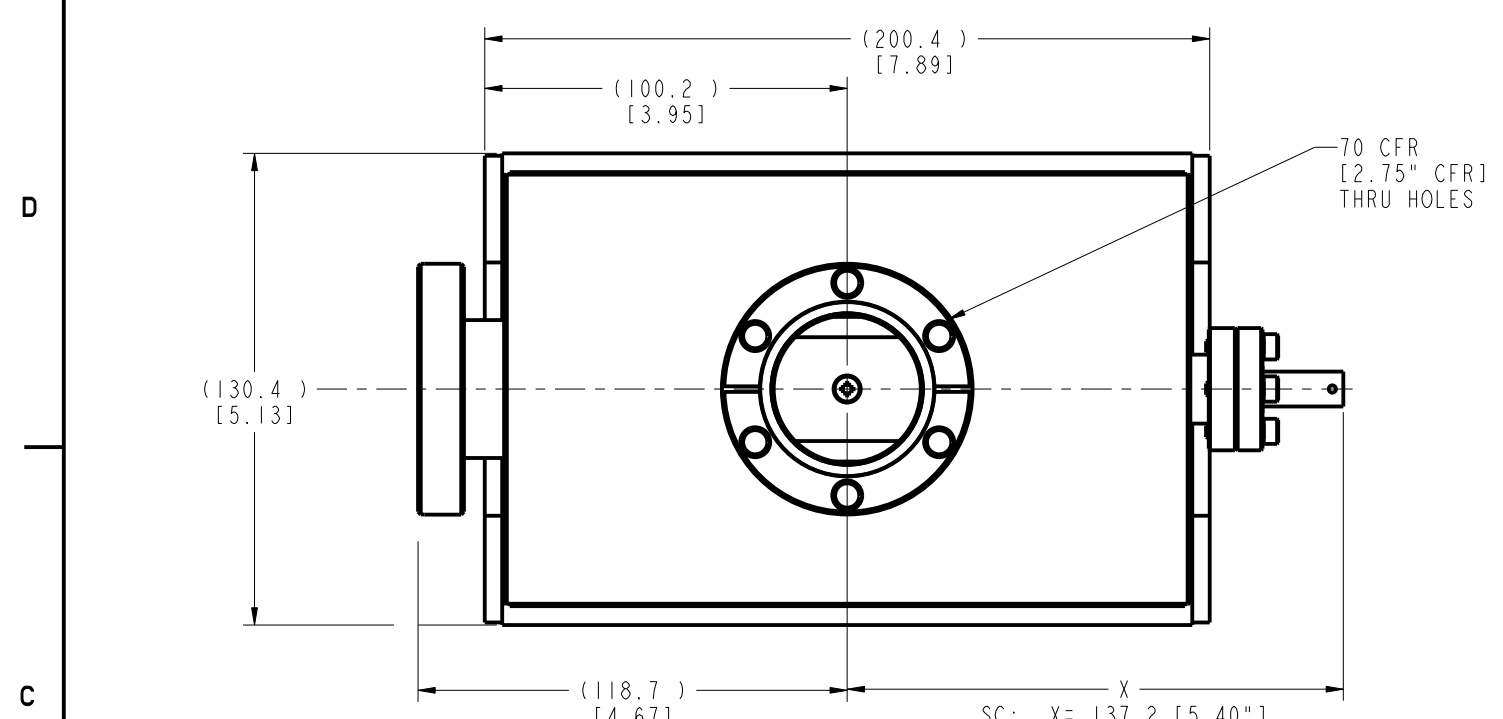


SCALE 0.750

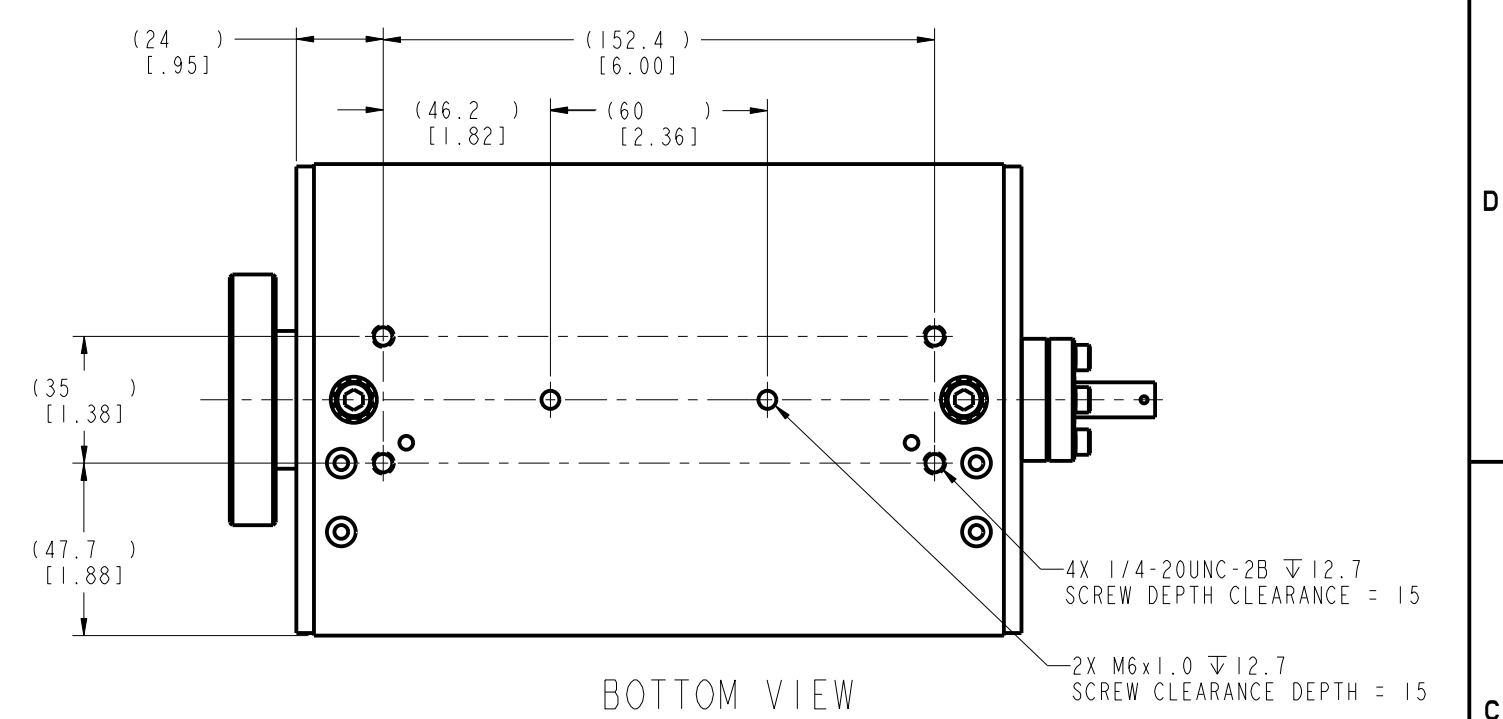
45S-4V
ALL DIMENSIONS ARE FOR REFERENCE ONLY.

METRIC	UNLESS OTHERWISE SPECIFIED: DIMENSIONS ARE IN MILLIMETERS SURFACE ROUGHNESS IN MICROMETERS	DRN R GOLLA	DATE 9-26-13	Gamma Vacuum 2915 133rd Street West • Shakopee, MN
	TOLERANCES: LINEAR ±0.13 HOLES ±0.13 ANGULAR (±)	CHK	DATE	
THIRD ANGLE PROJECTION	MACHINED 0.5° FORMED 1° CHAMFER 5°	APPV	DATE	TITLE
	MACHINED SURFACES 1.6 BREAK SHARP EDGES: R.2 OR 45° 0.2 MAX. INTERNAL MACH CORNER R.4 MAX.	RT	RDG	45S-XX-4V-XX
		TOLERANCING AND DIMENSIONING PER ANSI Y14.5M - 1982		SIZE DRAWING NO.
		THIS DRAWING CONTAINS PROPRIETARY INFORMATION AND ANY REPRODUCTION, DISCLOSURE OR USE OF THIS DRAWING IS EXPRESSLY PROHIBITED EXCEPT AS AGREED TO IN WRITING.		D 360577
				REV. A
		SCALE 1.000 DETACHED <input type="checkbox"/> PLSPEC SHT 3 OF 6		

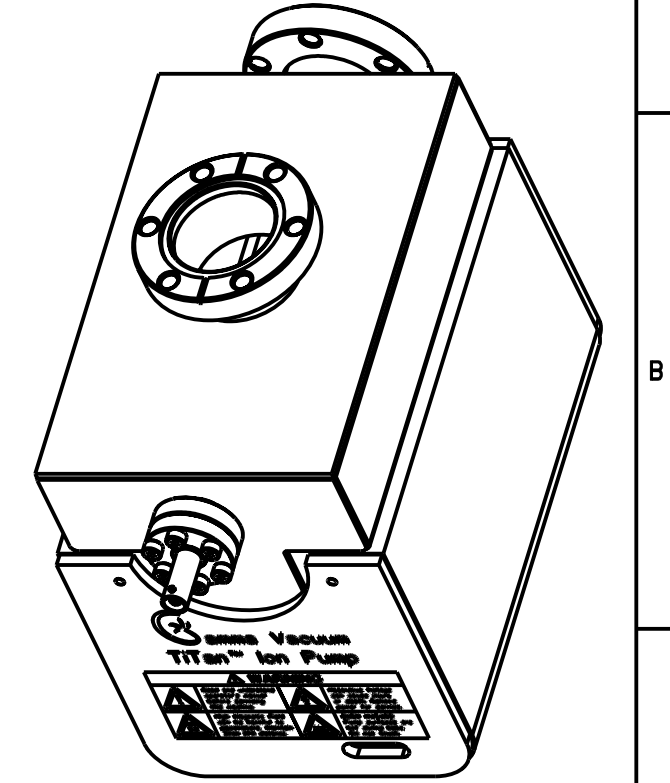
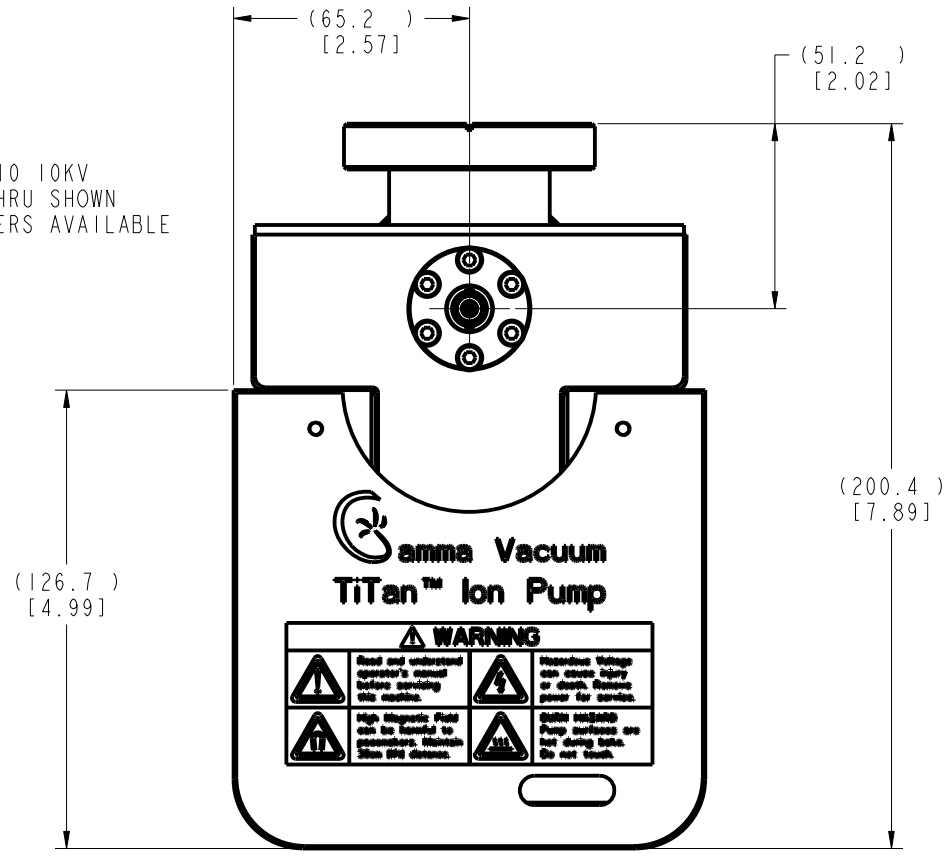
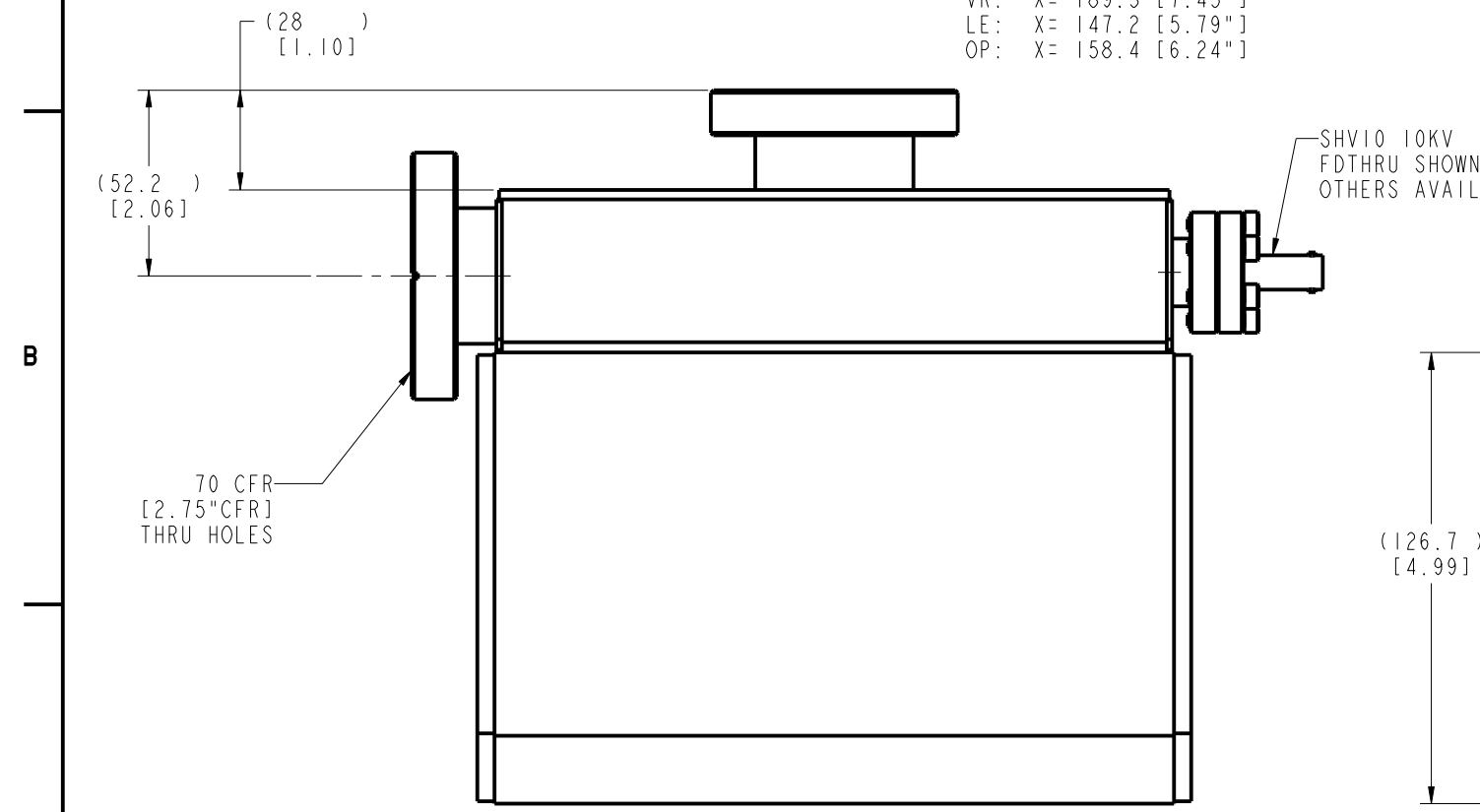
8 7 6 5 4 3 2 1



- SC: X= 137.2 [5.40"]
- KG: X= 137.2 [5.40"]
- SCO: X= 137.2 [5.40"]
- FI: X= 147.7 [5.81"]
- OV: X= 180.3 [7.10"]
- VR: X= 189.3 [7.45"]
- LE: X= 147.2 [5.79"]
- OP: X= 158.4 [6.24"]



BOTTOM VIEW MOUNTING HOLE PATTERN



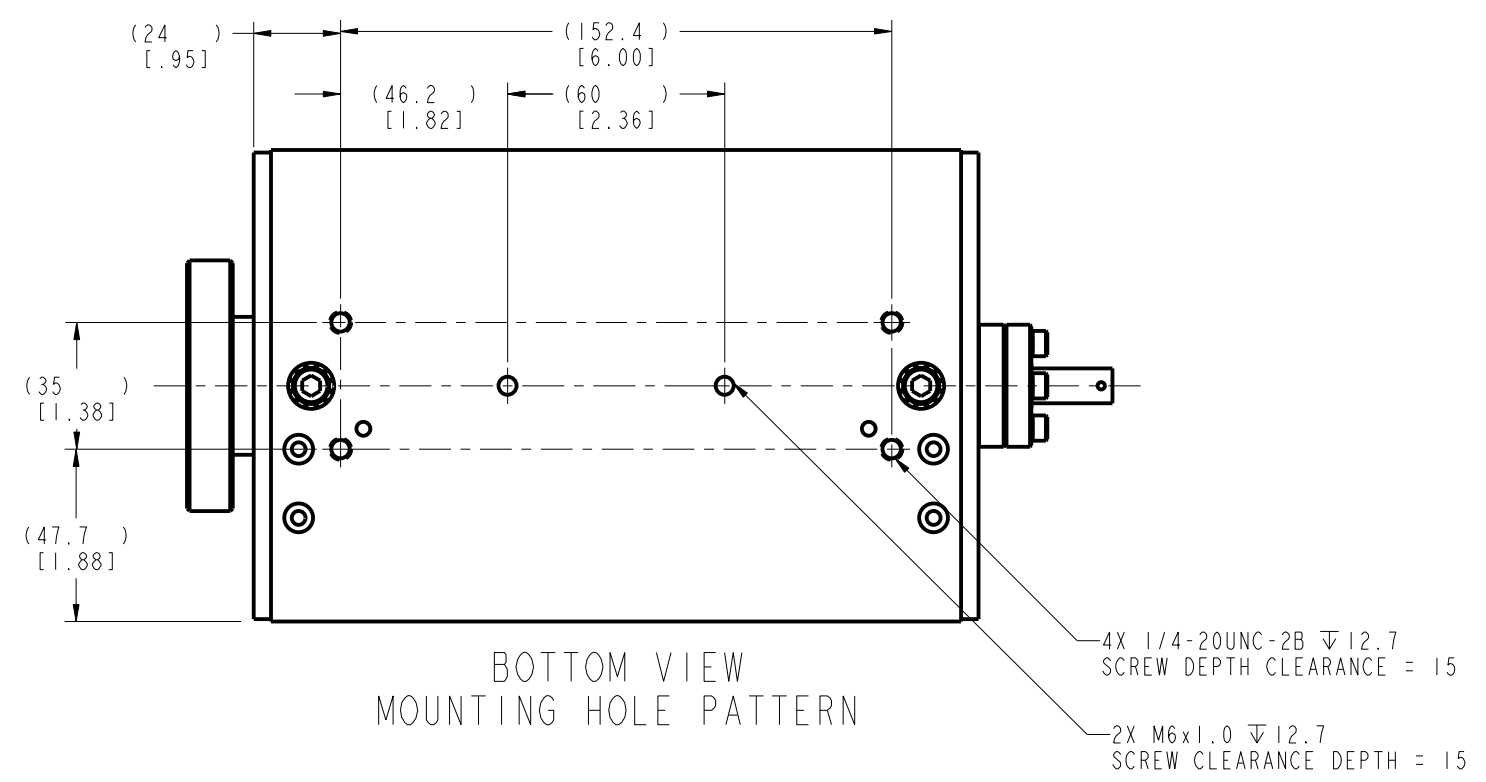
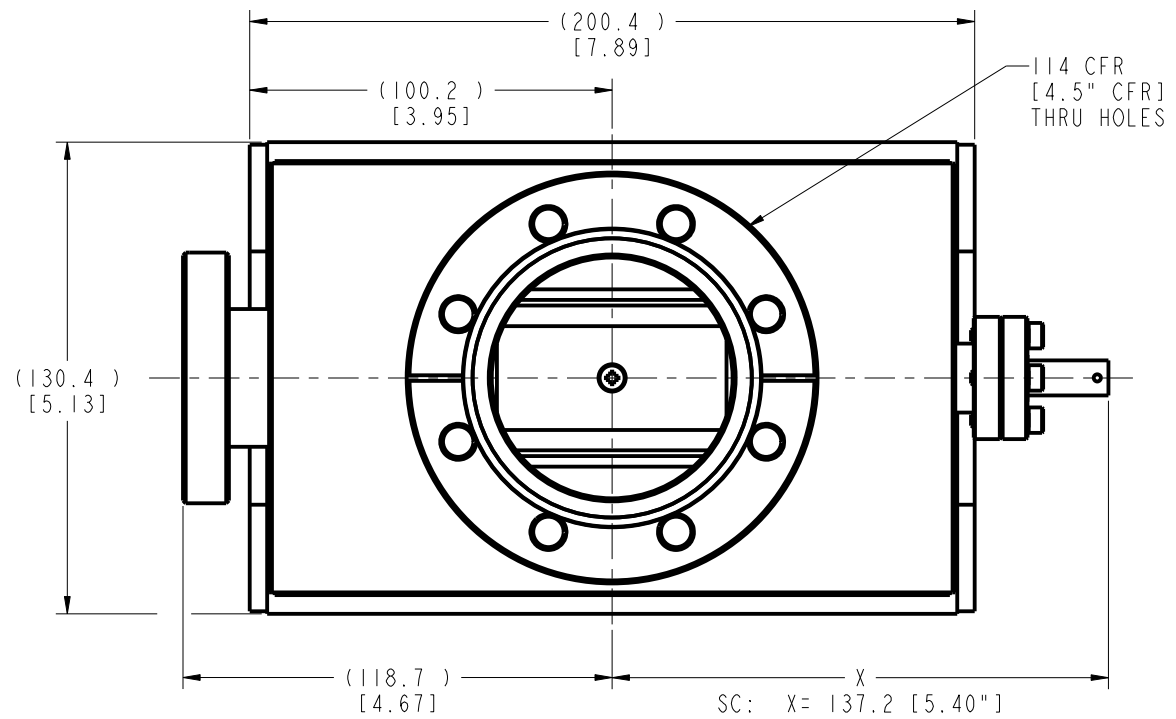
45S-2D

ALL DIMENSIONS ARE FOR REFERENCE ONLY.

METRIC THIRD ANGLE PROJECTION 	UNLESS OTHERWISE SPECIFIED: DIMENSIONS ARE IN MILLIMETERS SURFACE ROUGHNESS IN MICROMETERS TOLERANCES: LINEAR \pm 0.13 HOLES \pm 0.13 ANGULAR (\pm) MACHINED 0.5° FORMED 1° CHAMFER 5° MACHINED SURFACES 1.6 BREAK SHARP EDGES: R.2 OR 45° 0.2 MAX. INTERNAL MACH CORNER R.4 MAX.	SNK R GOLLA DATE 9-26-13 CHK RDG DATE 9-26-13 APPV RDG DATE 9-26-13 RT RDG TOLERANCING AND DIMENSIONING PER ANSI Y14.5M - 1982 THIS DRAWING CONTAINS PROPRIETARY INFORMATION AND ANY REPRODUCTION, DISCLOSURE OR USE OF THIS DRAWING IS EXPRESSLY PROHIBITED EXCEPT AS AGREED TO IN WRITING.	Gamma Vacuum 2915 133rd Street West • Shakopee, MN TITLE 45S-XX-2D-XX SIZE DRAWING NO. 360577 REV. A SCALE 1:000 DETACHED <input type="checkbox"/> PLSPEC SHT 4 OF 6
---	--	---	---

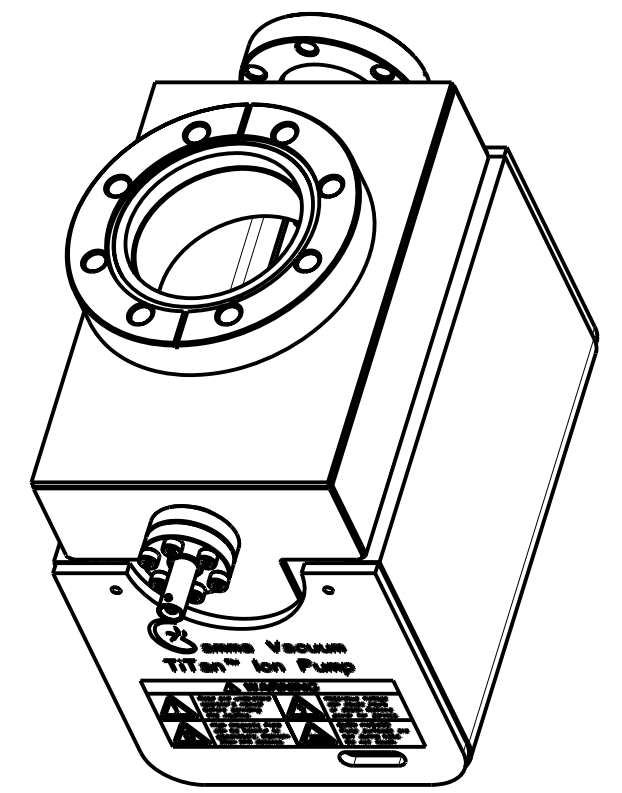
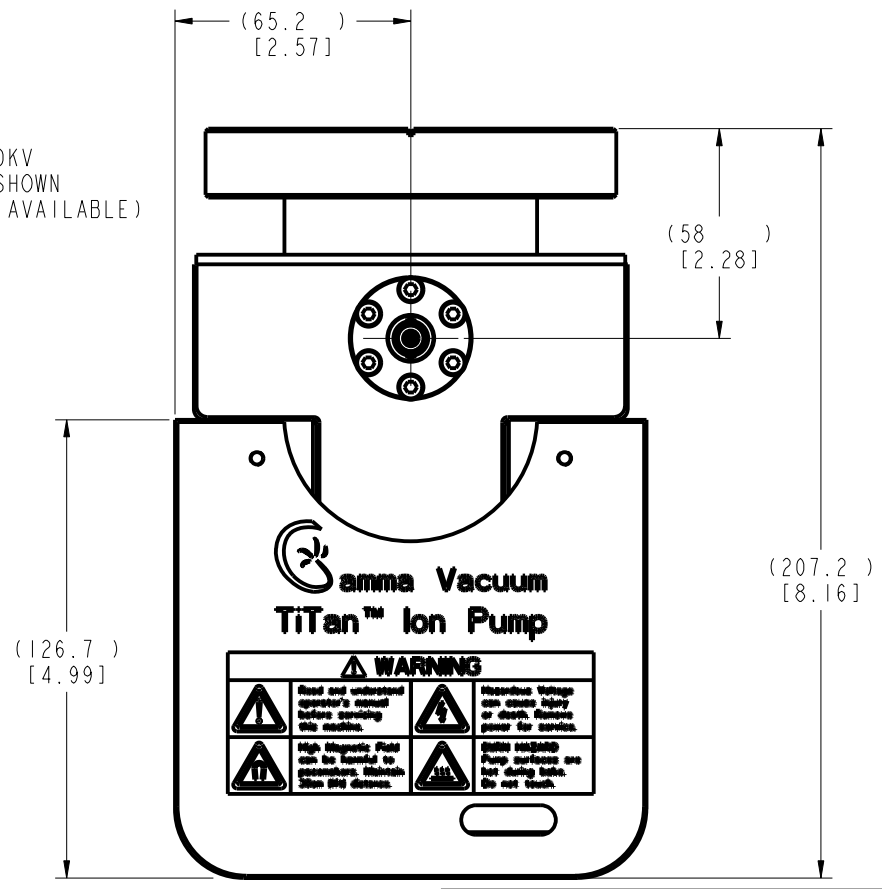
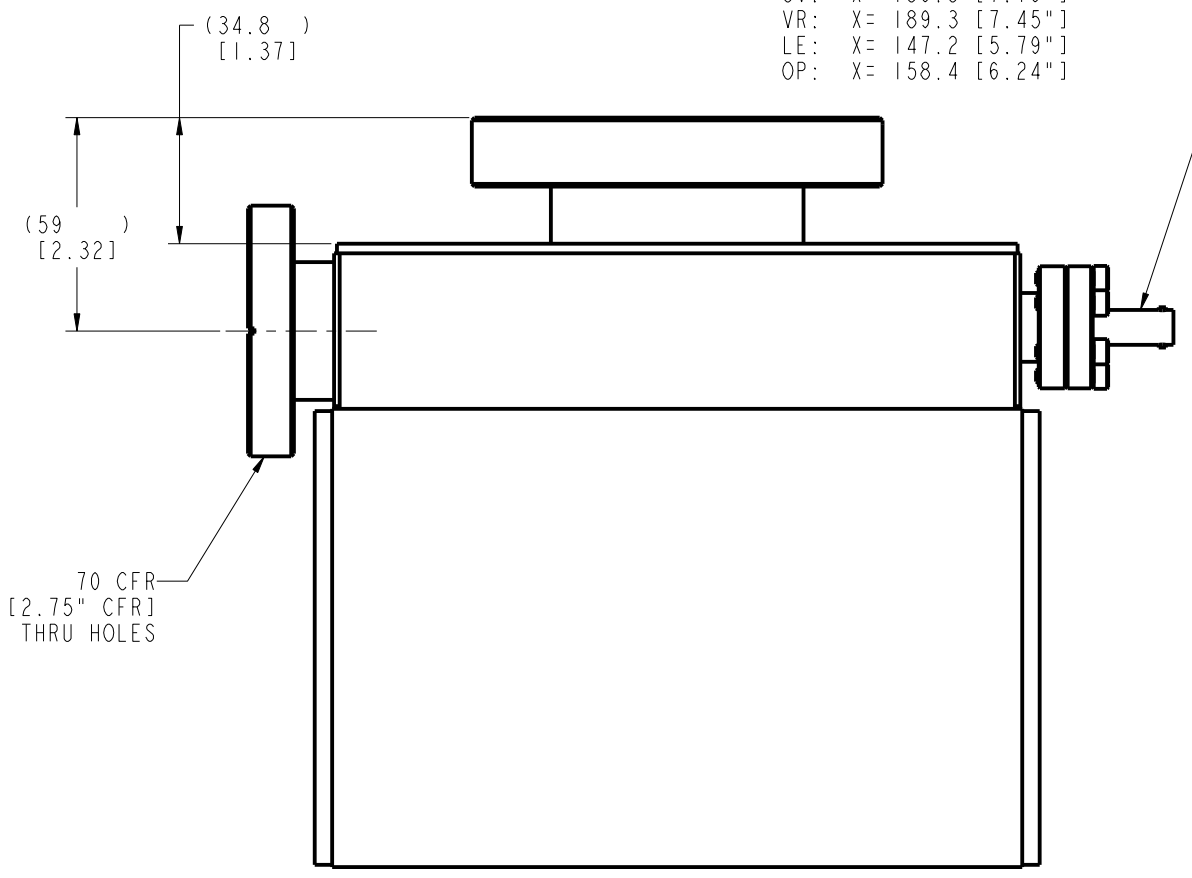
8 7 6 5 4 3 2 1

8 7 6 5 4 3 2 1



X

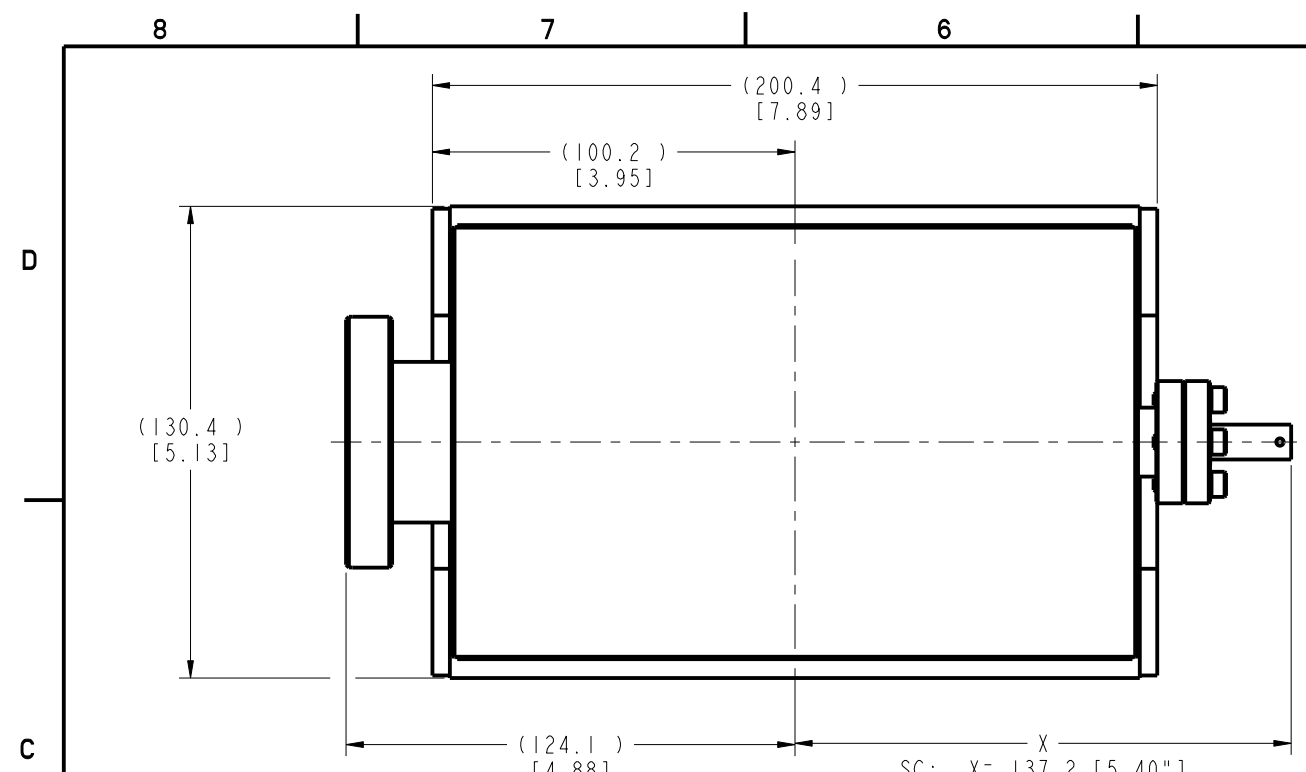
SC:	X= 137.2 [5.40"]
KG:	X= 137.2 [5.40"]
SCO:	X= 137.2 [5.40"]
FI:	X= 147.7 [5.81"]
OV:	X= 180.3 [7.10"]
VR:	X= 189.3 [7.45"]
LE:	X= 147.2 [5.79"]
OP:	X= 158.4 [6.24"]



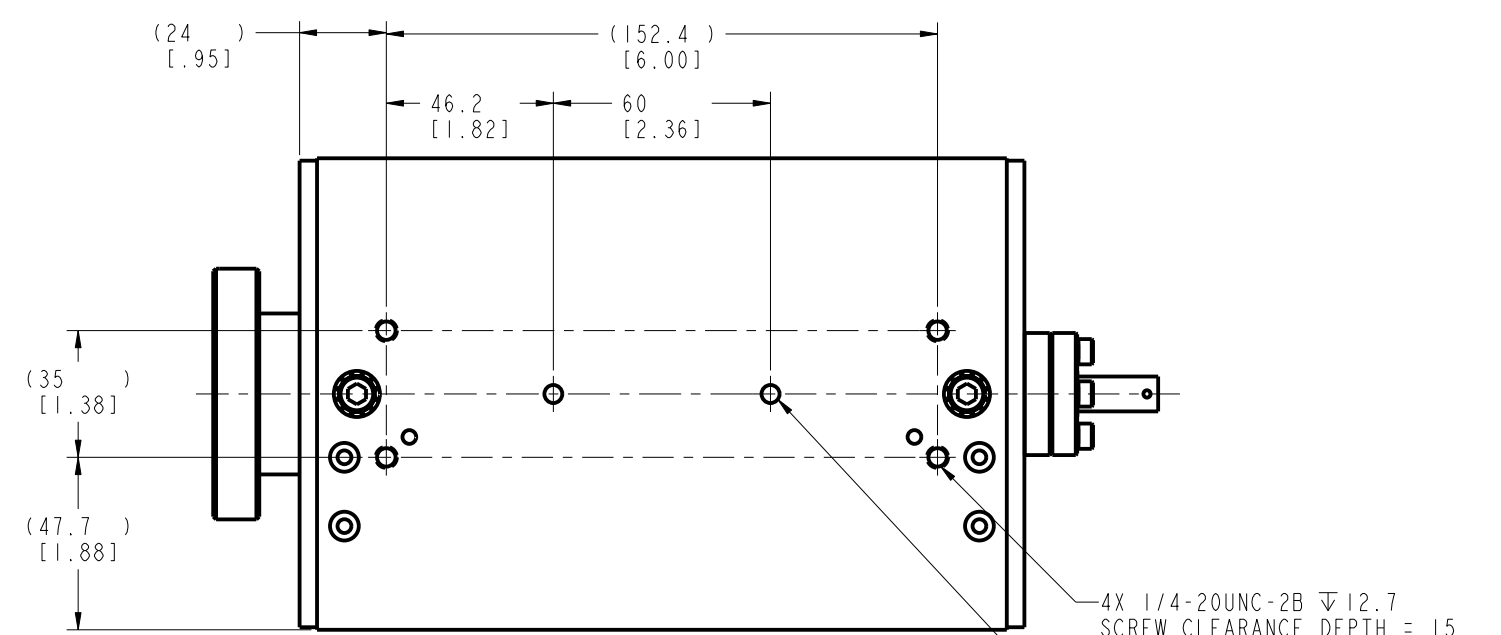
45S-4D
 ALL DIMENSIONS ARE FOR REFERENCE ONLY.

METRIC THIRD ANGLE PROJECTION 	UNLESS OTHERWISE SPECIFIED: DIMENSIONS ARE IN MILLIMETERS SURFACE ROUGHNESS IN MICROMETERS TOLERANCES: LINEAR \pm 0.13 HOLES \pm 0.13 ANGULAR (\pm) MACHINED 0.5° FORMED 1° CHAMFER 5° MACHINED SURFACES 1.6 BREAK SHARP EDGES: R.2 OR 45° 0.2 MAX. INTERNAL MACH CORNER R.4 MAX.	DRN R GOLLA DATE 9-26-13 CHK DATE APPV DATE RT RDG TOLERANCING AND DIMENSIONING PER ANSI Y14.5M - 1982 THIS DRAWING CONTAINS PROPRIETARY INFORMATION AND ANY REPRODUCTION, DISCLOSURE OR USE OF THIS DRAWING IS EXPRESSLY PROHIBITED EXCEPT AS AGREED TO IN WRITING.	Gamma Vacuum 2915 133rd Street West • Shakopee, MN TITLE 45S-XX-4D-XX SIZE DRAWING NO. D 360577 REV. A SCALE 1.000 DETACHED <input type="checkbox"/> PLI <input type="checkbox"/> SPEC SHT 5 OF 6
---	--	---	---

8 7 6 5 4 3 2 1



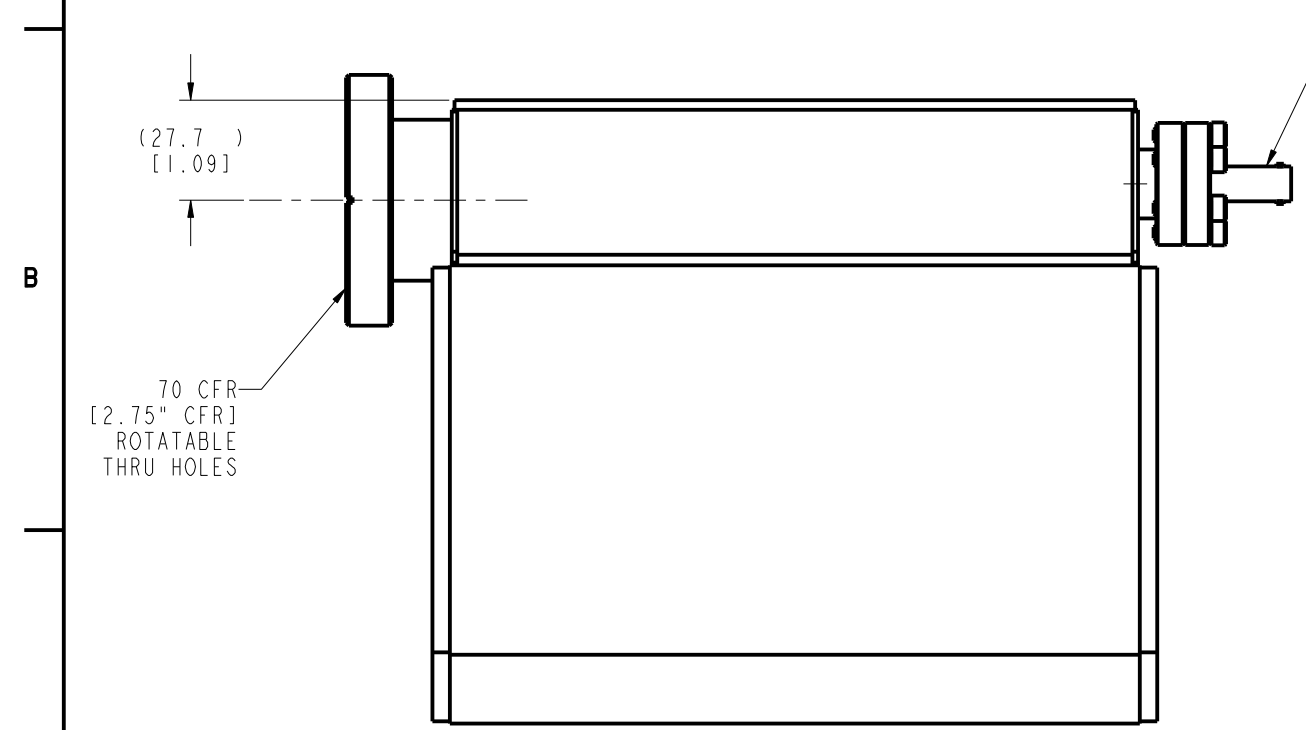
- SC: X= 137.2 [5.40"]
- KG: X= 137.2 [5.40"]
- SCO: X= 137.2 [5.40"]
- FI: X= 147.7 [5.81"]
- OV: X= 180.3 [7.10"]
- VR: X= 189.3 [7.45"]
- LE: X= 147.2 [5.79"]
- OP: X= 158.4 [6.24"]



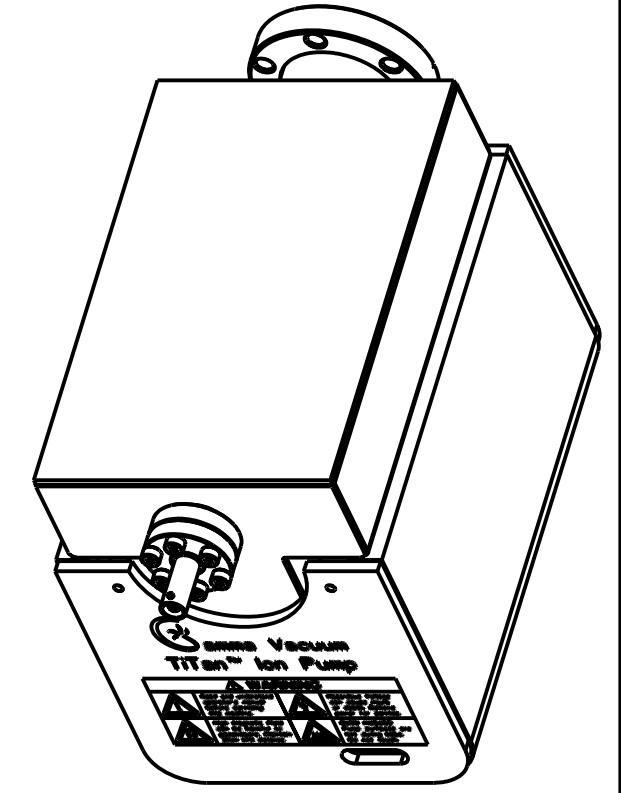
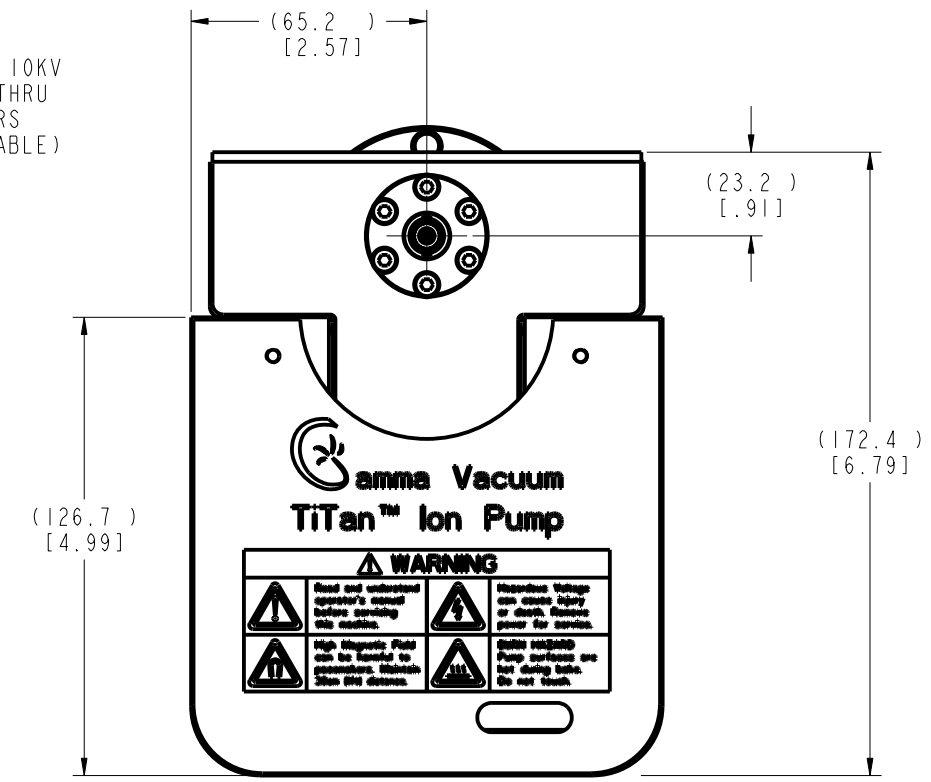
BOTTOM VIEW MOUNTING HOLE PATTERN

4X 1/4-20UNC-2B ∇12.7
SCREW CLEARANCE DEPTH = 15

2X M6 x 1.0 ∇12.7
SCREW DEPTH CLEARANCE = 15



SHV10 10KV HV FDTHRU (OTHERS AVAILABLE)



SCALE 0.750

45S-2H

ALL DIMENSIONS ARE FOR REFERENCE ONLY.

METRIC THIRD ANGLE PROJECTION 	UNLESS OTHERWISE SPECIFIED: DIMENSIONS ARE IN MILLIMETERS SURFACE ROUGHNESS IN MICROMETERS TOLERANCES: LINEAR ±0.13 HOLES ±0.13 ANGULAR (±) MACHINED 0.5° FORMED 1° CHAMFER 5° MACHINED SURFACES 1.6 BREAK SHARP EDGES: R.2 OR 45° 0.2 MAX. INTERNAL MACH CORNER R.4 MAX.	DWG. NO. 360577 DATE 9-26-13 CHK RDG DATE 9-26-13 APPV RDG DATE 9-26-13 RI RDG TOLERANCING AND DIMENSIONING PER ANSI Y14.5M - 1982 THIS DRAWING CONTAINS PROPRIETARY INFORMATION AND ANY REPRODUCTION, DISCLOSURE OR USE OF THIS DRAWING IS EXPRESSLY PROHIBITED EXCEPT AS AGREED TO IN WRITING.	2915 133rd Street West • Shakopee, MN Gamma Vacuum 45S-XX-2H-XX DRAWING NO. 360577 REV. A SCALE 1.000 DETACHED <input type="checkbox"/> PLI <input type="checkbox"/> SPEC SHT 6 OF 6
---	--	--	--